

4 x LEADS, 24 AWG. 7/32 UL1569  
90° RATED EQUIPMENT WIRE  
WITH PVC. INSULATION]  
PLAIN UNSTRIPPED ENDS.  
LED + Terminal RED Lead  
LED - Terminal YELLOW Lead  
SWITCH Terminals BLUE Leads

CLEAR LENS,  
POLYCARBONATE  
GREEN LED.

BUTTON, PBT

ELECTRICAL LED.

TYP. FWD. VOLTAGE (Vf @ I OPERATING) : 2.2V  
MAX. FWD. VOLTAGE (Vf @ I OPERATING) : 3.0V  
FORWARD CURRENT ( I OPERATING ) : 20mA  
NB: CURRENT LIMITING RESISTOR REQUIRED

ELECTRICAL

DIELECTRIC STRENGTH 1000VAC  
INSULATION RESISTANCE 1G Ohms  
CONTACT RESISTANCE (INITIAL) 150m Ohms  
CURRENT RATING:-  
@ 32VAC RESISTIVE 400mA  
@ 50VDC RESISTIVE 100mA  
@ 125VAC RESISTIVE 125mA  
LIFE (MINIMUM) 500,000 CYCLES  
SWITCHING POWER (MAXIMUM) 16VA AC

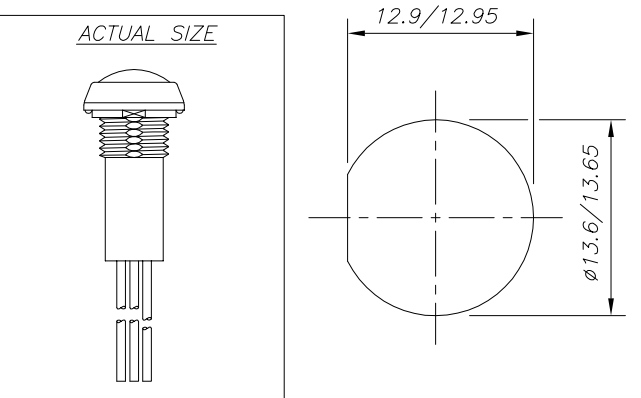
MECHANICAL

TRAVEL (NOMINAL) 2.3mm  
LIFE (MINIMUM) 1,000,000 CYCLES  
OPERATING FORCE (NOMINAL) 3N  
PANEL THICKNESS 1.5mm MIN. - 3mm MAX.

ENVIRONMENTAL & PHYSICAL

INGRESS PROTECTION IP67  
SHOCK 100G  
OPERATING TEMP RANGE -35°C TO +85°C  
CONTACTS GOLD PLATED-  
PALADIUM NICKEL

SUGGESTED PANEL CUTOUT



ITW PART No.	BUTTON COLOUR	LED
59-531G	BLACK	GREEN
59-532G	RED	GREEN
59-533G	GREEN	GREEN
59-534G	WHITE	GREEN
59-535G	YELLOW	GREEN
59-536G	BLUE	GREEN
59-537G	ORANGE	GREEN

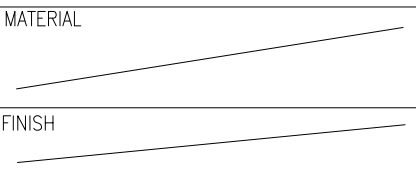
ISS	ECN	SIGN	DATE	ISS	ECN	SIGN	DATE
A	86418	BV	26.4.97				
B	86990	BV	7.2.00				

NOTICE  
ALL RIGHTS RESERVED:  
UNAUTHORISED USE,  
DISCLOSURE OR  
REPRODUCTION IN  
WHOLE OR IN PART IS  
STRICTLY PROHIBITED.  
  
© 1997

**TW** Switches  
Switchpanels  
Chromomatic

NORWAY ROAD, HILSEA, PORTSMOUTH,  
HAMPSHIRE, ENGLAND PO3 5HT  
Tel: 01705 694971 Fax: 01705 653356/666352

STANDARD TOLERANCES  
NO PLACE DEC. ±0.5  
1 PLACE DEC. ±0.2  
2 PLACE DEC. ±0.1  
ANGULAR ±0.5°  
UNLESS STATED OTHERWISE  
SCALE: 5 : 1



DRAWN	DATE	SIGN	DATE

TITLE 59 SERIES ILL. ROUND  
THREADED, BACK SEALED  
DRAWING No  
59-531G-537G Sht. 1 A3