

LEADS, 24 AWG. 7/32 UL1569
90° RATED EQUIPMENT WIRE
WITH PVC. INSULATION
PLAIN UNSTRIPPED ENDS.

BUTTON PBT.

M12 x 1-6g

BODY MATERIAL, PBT, BLACK

SUGGESTED PANEL CUTOUT

ELECTRICAL

DIELECTRIC STRENGTH 1000VAC
INSULATION RESISTANCE 1G Ohms
CONTACT RESISTANCE (INITIAL) 150m Ohms
CURRENT RATING:-
@ 32VAC RESISTIVE 400mA
@ 50VDC RESISTIVE 100mA
@ 125VAC RESISTIVE 125mA
LIFE (MINIMUM) 500,000 CYCLES
SWITCHING POWER (MAXIMUM) 16VA AC

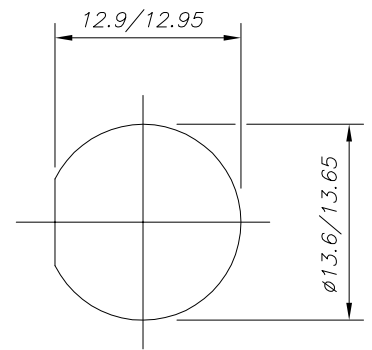
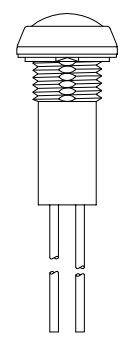
MECHANICAL

TRAVEL (NOMINAL) 2.3mm
LIFE (MINIMUM) 1,000,000 CYCLES
OPERATING FORCE (NOMINAL) 3N
PANEL THICKNESS 1.5mm MIN. - 3mm MAX.

ENVIRONMENTAL & PHYSICAL

INGRESS PROTECTION IP67
SHOCK 100G
OPERATING TEMP RANGE -40°C TO +105°C
CONTACTS GOLD PLATED-
PALADIUM NICKEL

ACTUAL SIZE



ITW PART No.	BUTTON COLOUR	RS STOCK NUMBER
59-900160	BLACK	265-0641
59-900161	RED	265-0629
59-900162	GREEN	265-0635

ITW PART No.	BUTTON COLOUR	RS STOCK NUMBER
59-900163	WHITE	265-XXXX
59-900164	YELLOW	265-XXXX
59-900165	BLUE	265-XXXX
59-900166	ORANGE	265-XXXX

ISS	ECN	SIGN	DATE	ISS	ECN	SIGN	DATE
A	86418	NJB	20.8.97				
B	86418	BV	23.9.97				
C	86990	BV	7.2.00				
D	87661	BV	22.1.06				

NOTICE
ALL RIGHTS RESERVED:
UNAUTHORISED USE,
DISCLOSURE OR
REPRODUCTION IN
WHOLE OR IN PART IS
STRICTLY PROHIBITED.

© 1997

ITW Switches
ITW Switchpanels
Norway Road
Hilsea
Portsmouth
Hants PO3 5HT
Tel: +44 (0)23 92 656200
Fax: +44 (0)23 92 666352
Internet: www.itwswitches.co.uk

STANDARD TOLERANCES
NO PLACE DEC. ±0.5
1 PLACE DEC. ±0.2
2 PLACE DEC. ±0.1
ANGULAR ±0.5°
UNLESS STATED OTHERWISE
SCALE: 5 : 1

MATERIAL

FINISH

DRAWN	DATE	SIGN	DATE
NJB	20.8.97		

TITLE 59 SERIES ROUND, RS
THREADED, BACK SEALED
DRAWING No
59-900160-166 sht.1 A3