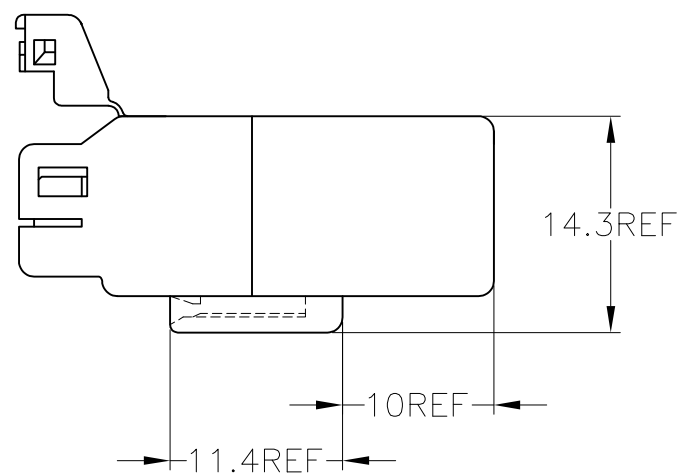
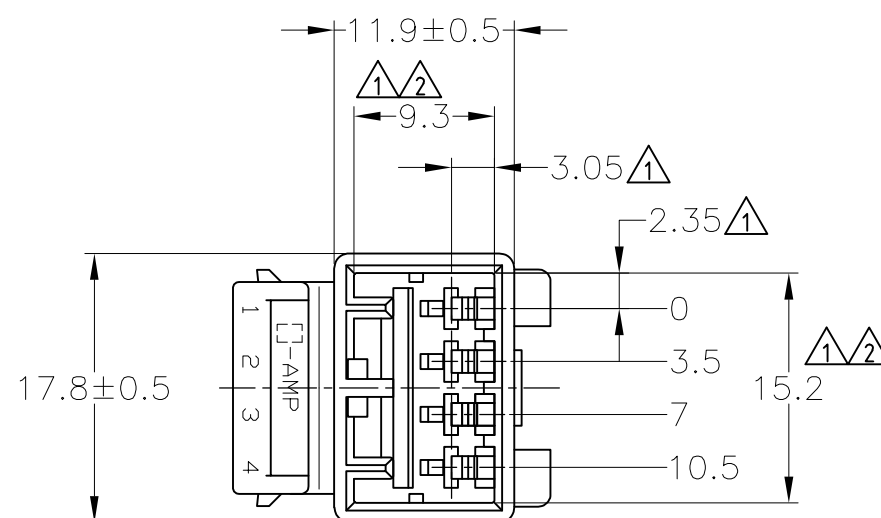
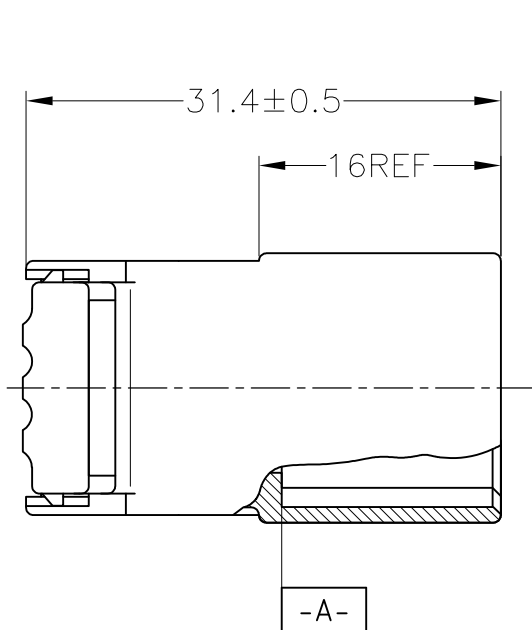


THIS DRAWING IS UNPUBLISHED. RELEASED FOR PUBLICATION  
 © COPYRIGHT - By - ALL RIGHTS RESERVED.

LOC	DIST	REVISIONS					
J	-	P	LTR	DESCRIPTION	DATE	DWN	APVD
			C3	REVISED PER ECO-11-005140	28MAR11	RK	HMR



- ① -A- 面より 2mm の範囲で測定。
  - ② 相手ハウジングと所定の機能を満足して嵌合できること。
  - 3. 内装するタブコンタクト型番：173633, 173645
  - 4. 嵌合相手ハウジング型番：174922 他
  - 5. 製品規格：108-5264
- ① MUST BE KEPT BETWEEN -A- AND 2.
  - ② TO BE MATED WITH THE PLUG HSG SMOOTHLY.
  - 3. APPLIED TAB CONTACT PN: 173633, 173645
  - 4. APPLIED PLUG HSG PN: 174922 etc.
  - 5. PRODUCT SPEC: 108-5264

黄 YELLOW	174929-7
灰 GRAY	174929-6
青 BLUE	174929-5
緑 GREEN	174929-4
黒 BLACK	174929-2
白 WHITE	174929-1
色 COLOR	型番 PN

WIRE RANGE 抱合電線断面積	INSULATION DIA 被覆外径
-----------------------	------------------------

TOLERANCE UNLESS OTHERWISE SPECIFIED:  
一般公差

0 < x ≤ 10	: ±0.2
10 < x ≤ 30	: ±0.25
30 < x ≤ 100	: ±0.3
ANGLE ; 角度	: ±3°

THIS DRAWING IS A CONTROLLED DOCUMENT.

DIMENSIONS: 単位：耗 mm	TOLERANCES UNLESS OTHERWISE SPECIFIED: 一般公差
	0 PLC ± -
	1 PLC ± -
	2 PLC ± -
	3 PLC ± -
	4 PLC ± -
	ANGLES ± -
MATERIAL 材料 PBT	FINISH 仕上

DWN A. YAMAGUCHI	09JAN02
CHK K. BETSUI	10JAN02
APVD K. BETSUI	10JAN02
PRODUCT SPEC 製品規格	SEE NOTE 5
APPLICATION SPEC 取付適用規格	
WEIGHT	4 g

TE Connectivity		NAME 名称		RESTRICTED TO
		070 SERIES MULTI-LOCK I/O CONNECTOR 4POSITION CAP HOUSING (W-W)		
SIZE	CAGE CODE	DRAWING NO 番号	-	
A3	00779	C-174929	-	
CUSTOMER DRAWING		SCALE 尺度	SHEET	REV
		2:1	1 OF 1	C3

# Mouser Electronics

Authorized Distributor

Click to View Pricing, Inventory, Delivery & Lifecycle Information:

[TE Connectivity:](#)

[174929-1](#)