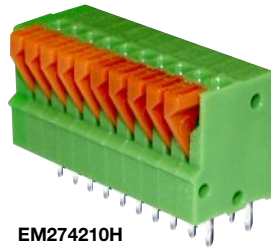


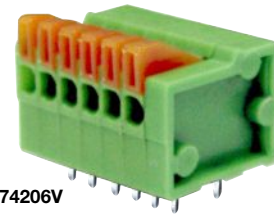
EM2742 Series
EuroMag Terminal Blocks
 Screwless; 2.54 Centers

SPECIFICATIONS

- Rating:** 6A, 150V
- Center Spacing:** 0.10" (2.54mm)
- Wire Range:** #20-26 AWG
- Housing Material:** UL rated 94V0 Thermoplastic
- Contact Material:** Tin-Plated Brass
- Spring Material:** Stainless Steel
- Operating Temperature:** 105°C (221°F) max., -40°C (-40°F) min.
- Recommended PCB Hole Diameters:** 0.051" (1.30mm)
- Construction:** Mold-to-Length
- Agency Information:** US File E62622; CE Certified



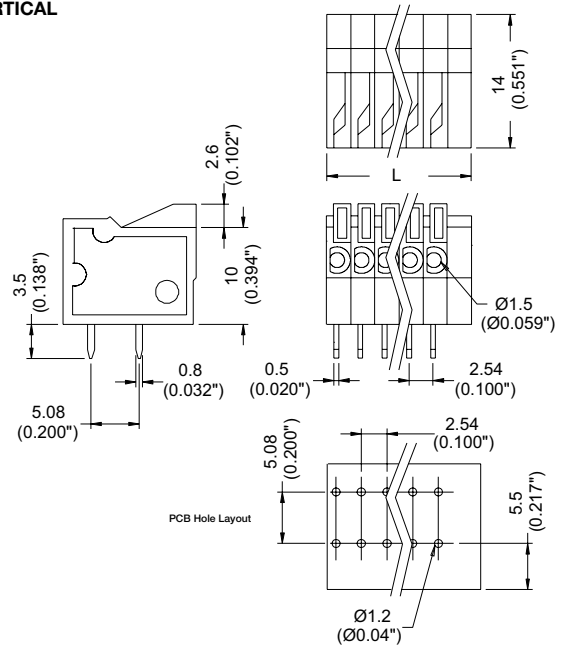
EM274210H



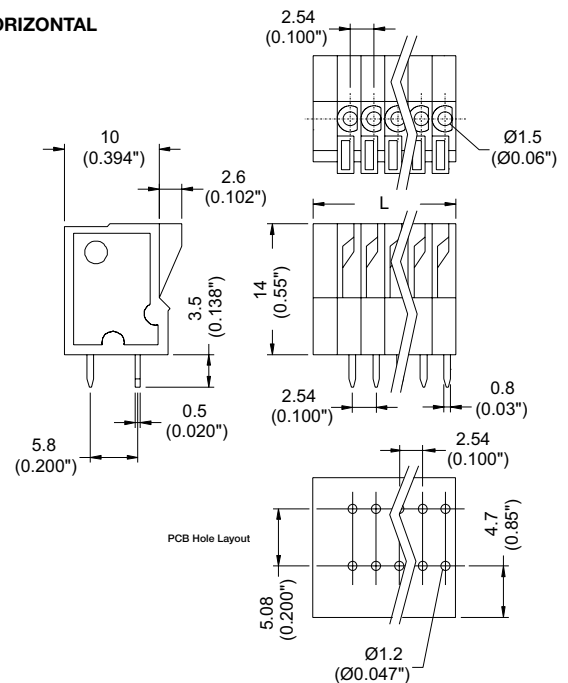
EM274206V

Dimensions - mm (in)

VERTICAL



HORIZONTAL



Poles	L (mm)	Poles	L (mm)
2	8.08	10	30.94
3	10.62	11	33.48
4	13.16	12	36.02
5	15.70	13	38.56
6	18.24	14	41.10
7	33.48	15	43.64
8	30.94	16	46.18
9	28.40		

To convert to inches, divide by 25.4

Part Numbering System

Series	# of Poles	Orientation
EM2742	<input type="checkbox"/> <input type="checkbox"/>	<input type="checkbox"/>
	02 to 16	H - horizontal
		V - vertical

Terminal Blocks:
 Single Row

EuroMag Series
 Screwless

Edge Connectors,
 One-Sided Boards

Compliance
 References

Mouser Electronics

Authorized Distributor

Click to View Pricing, Inventory, Delivery & Lifecycle Information:

Eaton:

[EM274209H](#) [EM274210H](#) [EM274214H](#) [EM274213H](#) [EM274207H](#) [EM274216H](#) [EM274212H](#) [EM274206H](#)
[EM274211H](#) [EM274208H](#) [EM274204H](#) [EM274203H](#) [EM274215H](#) [EM274202H](#) [EM274205H](#) [EM274211V](#)
[EM274214V](#) [EM274204V](#) [EM274212V](#) [EM274208V](#) [EM274210V](#) [EM274216V](#) [EM274202V](#) [EM274203V](#)
[EM274213V](#) [EM274209V](#) [EM274207V](#) [EM274206V](#) [EM274215V](#) [EM274205V](#)