

RSF30 Series

100VA Internal fitting switch



- **100VA contacts**
- **Rugged design**
- **WRAS approved versions**
- **Many variants are UL recognised components File No. E171218**

The RSF30 is a higher power side entry, internally fitted switch. These may be used for directly switching some small loads of less than 100VA. Fitting of this type requires access to the inside of the tank.

Available in Nylon or Polypropylene.

The switch action may be reversed by rotating the device through 180°.

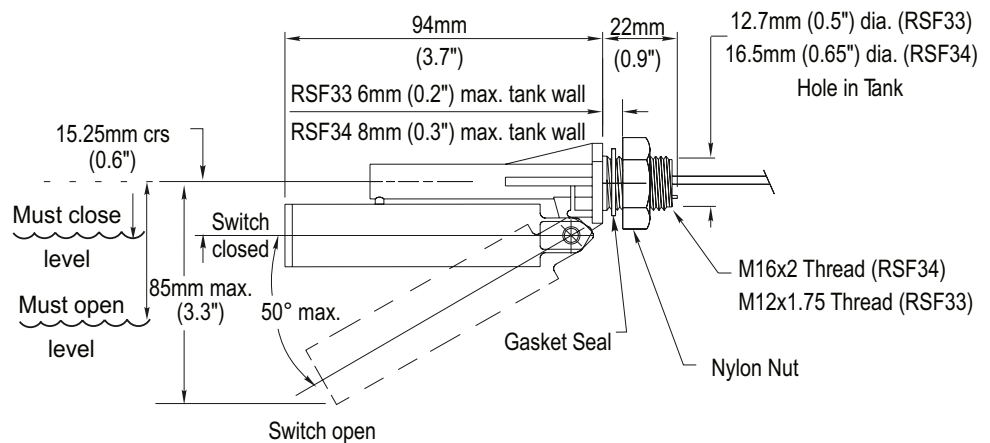
Technical Specification	RSF33	RSF34
Material	Nylon	Polypropylene WRAS approved
Colour	Black	Opaque
Temp. Range °C	-20 / +75	-20 / +100
°F	-4 / +167	-4 / +212
Min. Fluid SG	0.85	0.85
Must close level (SG=1)	20mm	23mm
Must open level (SG=1)	47mm	52mm

Electrical Specification	100W	
Contact Form	N/O (N/C)	
Switching Power Max	VA	100
Switching Voltage AC Max	V	300
Switching Voltage DC Max	V	300
Switching Current Max	A	3
All ratings are for resistive load only.		

Standard Parts	Material	Max Power	Leadouts	Gasket	Approvals
RSF33W100RC	Nylon	100VA	100cm PVC 16/0.2	Nitrile	
RSF34W100RF	Polypropylene	100VA	100cm PVC 16/0.2	Nitrile	WRAS

Custom versions can be made for particular applications. Please contact Cynergy3 with your requirements.

Mechanical Dimensions



Mouser Electronics

Authorized Distributor

Click to View Pricing, Inventory, Delivery & Lifecycle Information:

Sensata:

[RSF33W100RC](#) [RSF34W100RF](#)