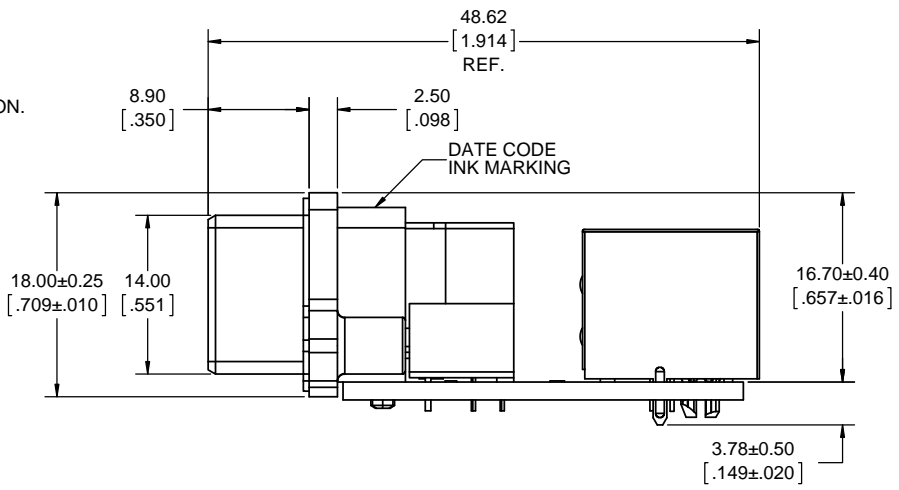
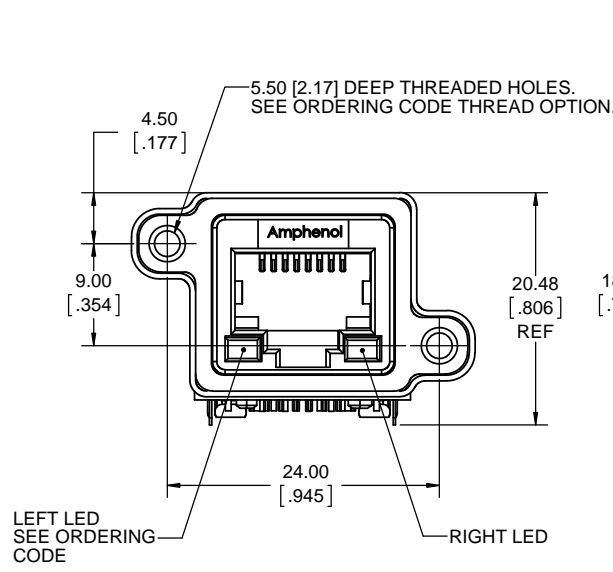


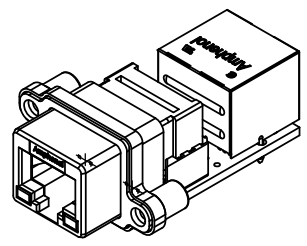
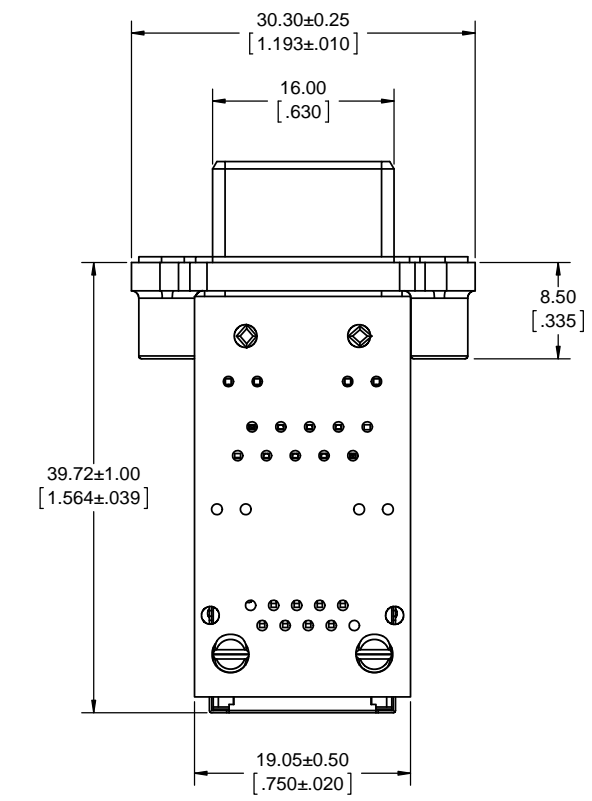
REVISIONS			
REV	DESCRIPTION, ECN, EAR NO.	DATE	APP'D
D	PRODUCT DRAWING (EAR 14166)	APR15/13	K.L.
E	PRODUCT DRAWING (EAR 14296)	JUL24/14	K.L.



ORDERING CODE: MRJ-578X-X1

SERIES, RUGGED RJ
 RECEPTACLE, 8 CONTACTS
 RIGHT ANGLE, ON PCB
 WITH STANDARD RJ RECEPTACLE
 LED OPTION:
 0 = NONE
 1 = LEFT GREEN, RIGHT YELLOW
 4 = LEFT YELLOW, RIGHT GREEN
 5 = LEFT GREEN, RIGHT GREEN
 MOUNTING HOLE THREAD OPTION:
 0 = #4-40 UNC THREAD
 M = M3 X 0.5 THREAD
 SINGLE PORT

SPECIAL CONNECTORS
 MANY UNIQUE FEATURES ARE READILY AVAILABLE TO SUIT CUSTOMER REQUIREMENTS. CONSULT WITH AMPHENOL CANADA FOR DETAILS.



NOTES:

- MATERIAL:**
 ALL MATERIALS ARE RoHS COMPLIANT PER EU DIRECTIVE 2011/65/EU AND AMENDMENTS
 - SHELL - DIECAST ZINC ALLOY, NICKEL PLATED
 - CONTACTS - PHOSPHOR BRONZE WITH 1.27 μm [50 μm] GOLD OVER 1.27 μm [50 μm] MINIMUM NICKEL ON THE MATING AREA AND MATTE TIN OVER NICKEL ON THE CONTACT TAILS.
 - INSERTS - ENGINEERING THERMOPLASTIC, FLAMMABILITY RATING UL94V-0
 - REAR INSERTS: BLACK NYLON, FRONT INSERT: CLEAR POLYCARBONATE
 - LED'S - EPOXY LENS, STEEL TAILS WITH TIN PLATING
 - GASKET - SILICONE RUBBER
 - PCB - FR-4 FIBERGLASS, LEAD FREE
 - STANDARD RJ RECEPTACLE - AMPHENOL P/N RJHSE-5F80, PHOSPHOR BRONZE CONTACTS WITH 1.27 μm [50μm] GOLD OVER NICKEL ON MATING AREA, BLACK NYLON INSERT AND COPPER ALLOY SHIELD WITH NICKEL PLATING
- ENVIRONMENTAL PERFORMANCE PER IEC 60529 CODE IP67 FOR SEAL BETWEEN MATING AREA AND PCB SIDE OF CONNECTOR. GASKET PROVIDES SEAL TO INSIDE FACE OF PANEL.
- CURRENT RATING: 1.5 AMPERES.
- CONTACT RESISTANCE: 80 MILLIOHMS MAXIMUM (SUBJECT TO VERIFICATION).
- OPERATING TEMPERATURE: -40°C TO +105°C.
- LED CHARACTERISTICS: FORWARD DC CURRENT 25 mA MAX, FORWARD VOLTAGE 2.5 V MAX @ 2 mA.
- AVAILABLE MATING AREA COVERS PROVIDE ADDED PROTECTION. CONSULT WITH AMPHENOL CANADA FOR DETAILS.
- RECOMMENDED TORQUE FOR PANEL MOUNT SCREWS: 0.45 TO 0.65 Nm [4.0 TO 5.75 IN-LBS] FOR STEEL SCREWS WITH 3.00 [1.18] MINIMUM THREAD ENGAGEMENT.
- CUSTOMER TO VERIFY THAT ALL PROCESS CLEANERS ARE COMPATIBLE WITH POLYCARBONATE MATERIAL.



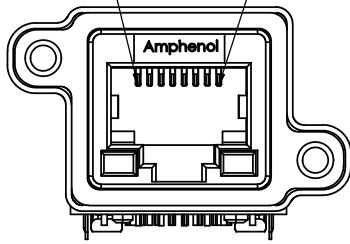
UNLESS SPECIFIED OTHERWISE	DRAWN	S.SEMENOV	JAN01/07
PRIMARY UNITS MILLIMETERS	CHECKED		
SECONDARY INCHES	M.E. APP'D		
REFERENCE IN PARENTHESES	Q.A. APP'D		
GENERAL TOLERANCES	DWG APPR.	A.GREEN	JAN01/07
1 DECIMAL PLACE	ENG. REL. NO.		
2 DECIMAL PLACES ±0.15	REF.		
3 DECIMAL PLACES	THIRD ANGLE PROJECTION		
ANGULAR DEGREES	DO NOT SCALE DRAWING		

Amphenol Canada Corp.
 www.amphenolcanada.com
MRJ SERIES RUGGED MODULAR JACK, 8 POSITION, RIGHT ANGLE, ON PCB, WITH STANDARD RJ RECEPTACLE, RoHS COMPLIANT

DWG. NO. **P-MRJ-578X-X1** REV **E**

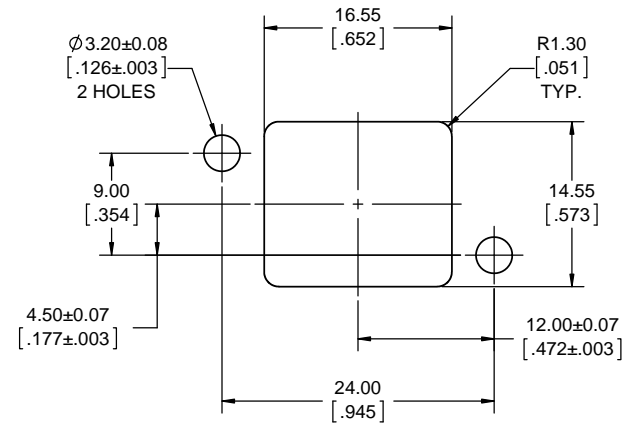
CODE ID NO. 03554 DWG SIZE: X SCALE: 3:1 SHEET 1 OF 2

MRJ CONTACT 1 MRJ CONTACT 8

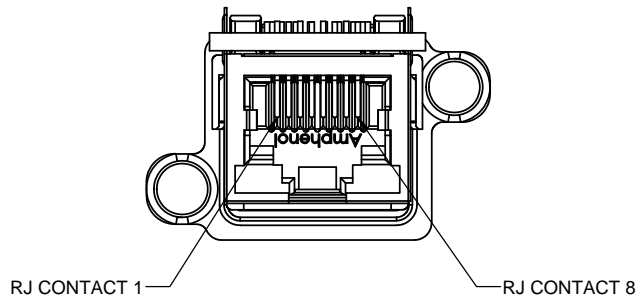
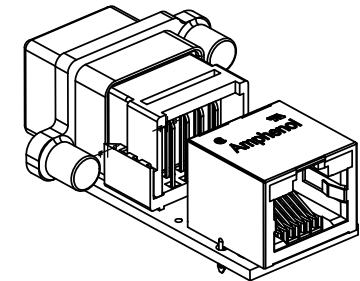
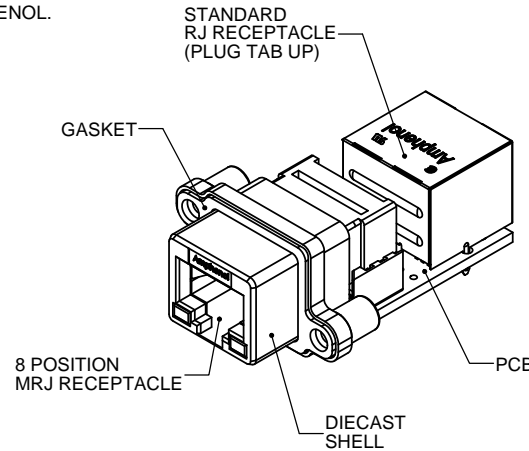
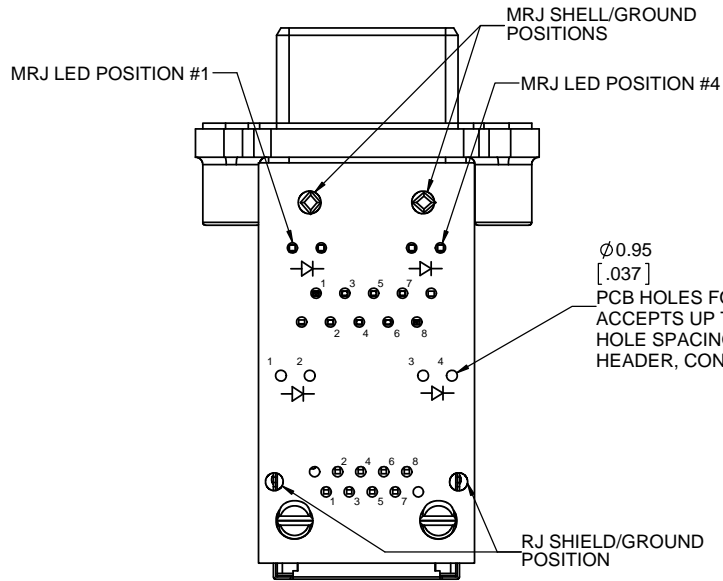


MRJ TO RJ CONNECTIONS	
MRJ	RJ
1	1
2	2
3	3
4	4
5	5
6	6
7	7
8	8
SHELL/GROUND	SHIELD/GROUND
PCB HOLES	
LED 1	1
LED 2	2
LED 3	3
LED 4	4

REVISIONS			
REV	DESCRIPTION, ECN, EAR NO.	DATE	APP'D
D	PRODUCT DRAWING (EAR 14166)	APR15/13	K.L.
E	PRODUCT DRAWING (EAR 14296)	JUL24/14	K.L.



RECOMMENDED PANEL CUTOUT
OUTSIDE PANEL VIEW



UNLESS SPECIFIED OTHERWISE	DRAWN	S.SEMENOV	JAN01/07
PRIMARY UNITS MILLIMETERS	CHECKED		
SECONDARY UNITS INCHES	M.E. APP'D		
REFERENCE IN PARENTHESES	Q.A. APP'D		
GENERAL TOLERANCES	DWG APPR.	A.GREEN	JAN01/07
1 DECIMAL PLACE	ENG. REL. NO.		
2 DECIMAL PLACES ±0.15	REF.		
3 DECIMAL PLACES	THIRD ANGLE PROJECTION		
ANGULAR DEGREES	DO NOT SCALE DRAWING		

Amphenol Canada Corp.
www.amphenolcanada.com

**MRJ SERIES RUGGED MODULAR JACK,
8 POSITION, RIGHT ANGLE, ON PCB,
WITH STANDARD RJ RECEPTACLE,
RoHS COMPLIANT**

DWG. NO. **P-MRJ-578X-X1** REV **E**

CODE ID NO. 03554 DWG SIZE: X SCALE: 3:1 SHEET 2 OF 2

Mouser Electronics

Authorized Distributor

Click to View Pricing, Inventory, Delivery & Lifecycle Information:

[Amphenol:](#)

[MRJ-5780-01](#) [MRJ578101](#) [MRJ5785M1](#) [MRJ5781M1](#) [MRJ578501](#) [MRJ5780M1](#) [MRJ5784M1](#) [MRJ578401](#)
[MRJ5781011](#) [MRJ5781013](#)