

# FO connectors - VS-SCRJ-POF-FA-IP20 - 1654879

Please be informed that the data shown in this PDF Document is generated from our Online Catalog. Please find the complete data in the user's documentation. Our General Terms of Use for Downloads are valid (<http://phoenixcontact.com/download>)



SC-RJ fiber optic connector, IP20, duplex, with fast connection technology, for polymer fiber 980/1000 μm, for individual wire diameter 2.2 mm

SC-RJ

## Product Description


SC-RJ fiber optic connector, IP20, duplex, with fast connection technology, for polymer fiber 980/1000 μm, for individual wire diameter 2.2 mm

## Your advantages

- For quick and easy field assembly
- No bonding or polishing
- Reusable connectors



## Key Commercial Data

Packing unit	1 pc
GTIN	 4 046356 028844
GTIN	4046356028844

## Technical data

### Mechanical characteristics

Connection method	Push-Pull
Tightening torque max	1 Nm
Insertion/withdrawal cycles	≥ 100
Cable outlet	straight
Weight	16.2 g
Flammability rating according to UL 94	V0

### Ambient conditions

Ambient temperature (operation)	-25 °C ... 70 °C
Ambient temperature (assembly)	0 °C ... 50 °C
Ambient temperature (storage/transport)	-25 °C ... 70 °C

# FO connectors - VS-SCRJ-POF-FA-IP20 - 1654879

## Technical data

### Ambient conditions

Degree of protection	IP20
----------------------	------

### Material data

Housing material	Zinc die-cast
Housing surface material	Nickel-plated
Width	16.5 mm
Height	11 mm
Length	83 mm

### Optical characteristics

Attenuation	≤ 1.5 dB (Insertion attenuation)
-------------	----------------------------------

### Standards and Regulations

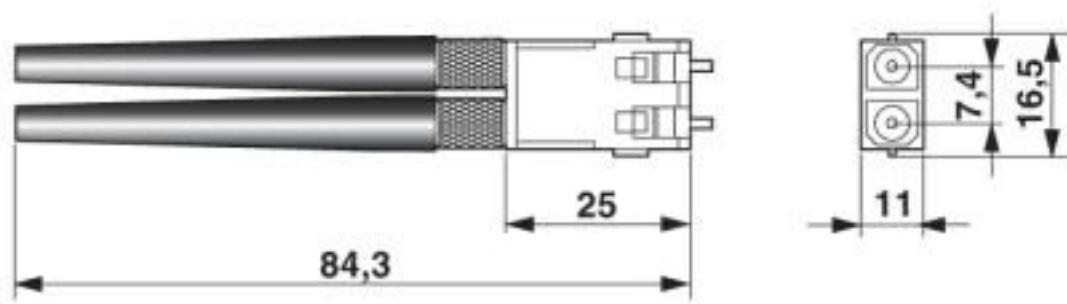
Flame resistance	yes
Flammability rating according to UL 94	V0

### Environmental Product Compliance

REACH SVHC	Lead 7439-92-1
China RoHS	Environmentally Friendly Use Period = 50 years
	For details about hazardous substances go to tab "Downloads", Category "Manufacturer's declaration"

## Drawings

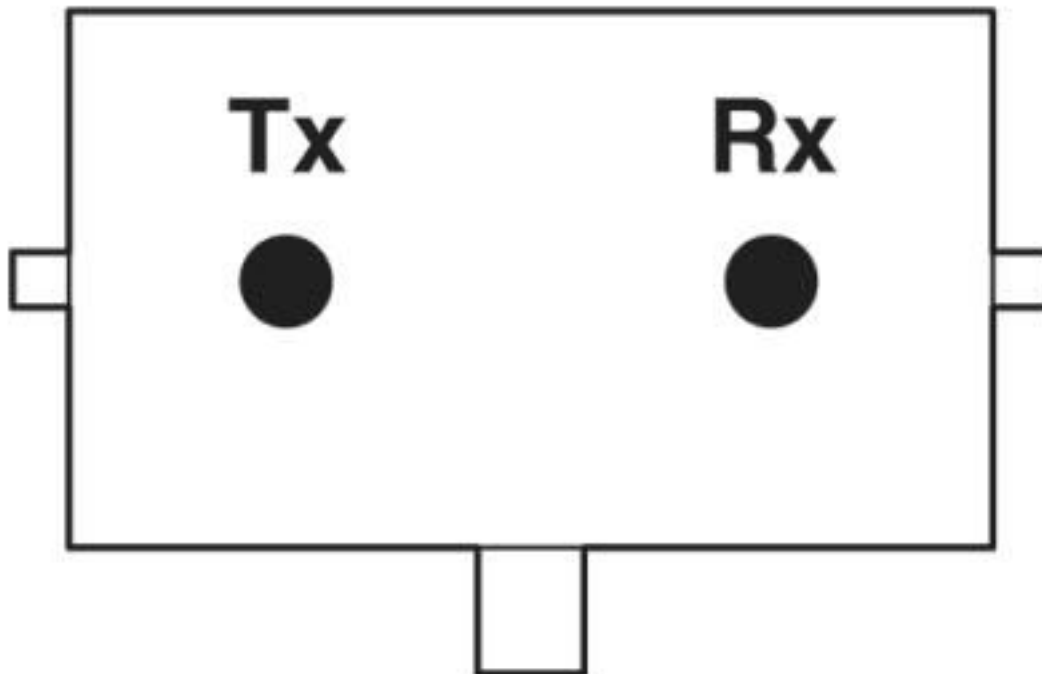
Dimensional drawing



SC-RJ connector IP20

# FO connectors - VS-SCRJ-POF-FA-IP20 - 1654879

Schematic diagram



## Classifications

### eCl@ss

eCl@ss 10.0.1	19170122
eCl@ss 4.0	27260700
eCl@ss 4.1	27260700
eCl@ss 5.0	27260700
eCl@ss 5.1	27260700
eCl@ss 6.0	27260700
eCl@ss 7.0	27440309
eCl@ss 8.0	19170122
eCl@ss 9.0	19170122

### ETIM

ETIM 2.0	EC000764
ETIM 3.0	EC001121
ETIM 4.0	EC001121
ETIM 5.0	EC001122
ETIM 6.0	EC001122
ETIM 7.0	EC001122

### UNSPSC

UNSPSC 6.01	31261501
-------------	----------

# FO connectors - VS-SCRJ-POF-FA-IP20 - 1654879

## Classifications

### UNSPSC

UNSPSC 7.0901	31261501
UNSPSC 11	31261501
UNSPSC 12.01	31261501
UNSPSC 13.2	43223310
UNSPSC 18.0	43223310
UNSPSC 19.0	43223310
UNSPSC 20.0	43223310
UNSPSC 21.0	43223310

## Approvals

### Approvals

---

Approvals

EAC

---

Ex Approvals

---

### Approval details

EAC		B.01742
-----	--	---------

## Accessories

### Accessories

#### Assembly tool

Tool set - TF-SCRJ-POF KONF SET - 1405246



SC-RJ cutting tool set, for polymer fiber, for field assembly of SC-RJ/IP20 and SC-RJ/IP67 push/pull connectors with fast connection technology, consisting of stripping tool, aramid scissors, SC-RJ cutting tool, microscope

### Data plug

## FO connectors - VS-SCRJ-POF-FA-IP20 - 1654879

### Accessories

FO accessories - WIREFOX-PN POF - 1405249



Sheath stripping tool, for polymer fiber

---

FO accessories - VS-SCRJ-POF-KONFTOOL-POLISH - 1658820



SC-RJ polishing tool set, for polymer fiber, for field assembly of the SC-RJ connector (IP20/IP67) with fast connection technology, with stripping tool, diagonal cutter, aramid scissors, polishing materials, microscope, 2x SC-RJ connector IP20

---

FO accessories - VS-SCRJ-POF-POLISH - 1656673



Refilling set for VS-SC-RJ-POF-KONFTOOL-POLISH, consisting of two polishing discs and a polisher

---

### Additional products

FO accessories - FOC-TOOL-FERRULECLEANER-2.50 - 1407029



2.50 mm ferrule cleaner, for ST, SC, FC, E2000 (also APC), approx. 500 cleaning cycles

---

Phoenix Contact 2020 © - all rights reserved  
<http://www.phoenixcontact.com>

PHOENIX CONTACT GmbH & Co. KG  
Flachsmarktstr. 8  
32825 Blomberg  
Germany  
Tel. +49 5235 300  
Fax +49 5235 3 41200  
<http://www.phoenixcontact.com>

# Mouser Electronics

Authorized Distributor

Click to View Pricing, Inventory, Delivery & Lifecycle Information:

[Phoenix Contact:](#)

[1654879](#)