

FEATURES

- Member of the Texas Instruments Widebus™ Family
- DOC™ Circuitry Dynamically Changes Output Impedance, Resulting in Noise Reduction Without Speed Degradation
- Dynamic Drive Capability Is Equivalent to Standard Outputs With I_{OH} and I_{OL} of ± 24 mA at 2.5-V V_{CC}
- Control Inputs V_{IH}/V_{IL} Levels Are Referenced to V_{CCB} Voltage
- If Either V_{CC} Input Is at GND, Both Ports Are in the High-Impedance State
- Overvoltage-Tolerant Inputs/Outputs Allow Mixed-Voltage-Mode Data Communications
- I_{off} Supports Partial-Power-Down Mode Operation
- Fully Configurable Dual-Rail Design Allows Each Port to Operate Over Full 1.4-V to 3.6-V Power-Supply Range
- Latch-Up Performance Exceeds 100 mA Per JESD 78, Class II
- ESD Protection Exceeds JESD 22
 - 2000-V Human-Body Model (A114-A)
 - 200-V Machine Model (A115-A)
 - 1000-V Charged-Device Model (C101)

DESCRIPTION

This 16-bit (dual-octal) noninverting bus transceiver uses two separate configurable power-supply rails. The A port is designed to track V_{CCA} . V_{CCA} accepts any supply voltage from 1.4 V to 3.6 V. The B port is designed to track V_{CCB} . V_{CCB} accepts any supply voltage from 1.4 V to 3.6 V. This allows for universal low-voltage bidirectional translation between any of the 1.5-V, 1.8-V, 2.5-V, and 3.3-V voltage nodes.

The SN74AVCB164245 is designed for asynchronous communication between data buses. The device transmits data from the A bus to the B bus or from the B bus to the A bus, depending on the logic level at the direction-control (DIR) input. The output-enable (\overline{OE}) input can be used to disable the outputs so the buses are effectively isolated.

The SN74AVCB164245 is designed so that the control pins (1DIR, 2DIR, $1\overline{OE}$, and $2\overline{OE}$) are supplied by V_{CCB} .

To ensure the high-impedance state during power up or power down, \overline{OE} should be tied to V_{CCB} through a pullup resistor; the minimum value of the resistor is determined by the current-sinking capability of the driver.

This device is fully specified for partial-power-down applications using I_{off} . The I_{off} circuitry disables the outputs, preventing damaging current backflow through the device when it is powered down. If either V_{CC} input is at GND, both ports are in the high-impedance state.

ORDERING INFORMATION

| T_A | PACKAGE ⁽¹⁾ | | ORDERABLE PART NUMBER | TOP-SIDE MARKING |
|---------------|------------------------|---------------|-----------------------|------------------|
| –40°C to 85°C | FBGA – GRD | Tape and reel | 74AVCB164245GRDR | WB4245 |
| | FBGA – ZRD (Pb-Free) | Tape and reel | 74AVCB164245ZRDR | |
| | TSSOP – DGG | Tape and reel | SN74AVCB164245GR | AVCB164245 |
| | TVSOP – DGV | Tape and reel | SN74AVCB164245VR | WB4245 |
| | VFBGA – GQL | Tape and reel | SN74AVCB164245KR | |
| | VFBGA – ZQL (Pb-Free) | Tape and reel | 74AVCB164245ZQLR | |

(1) Package drawings, standard packing quantities, thermal data, symbolization, and PCB design guidelines are available at www.ti.com/sc/package.



Please be aware that an important notice concerning availability, standard warranty, and use in critical applications of Texas Instruments semiconductor products and disclaimers thereto appears at the end of this data sheet.

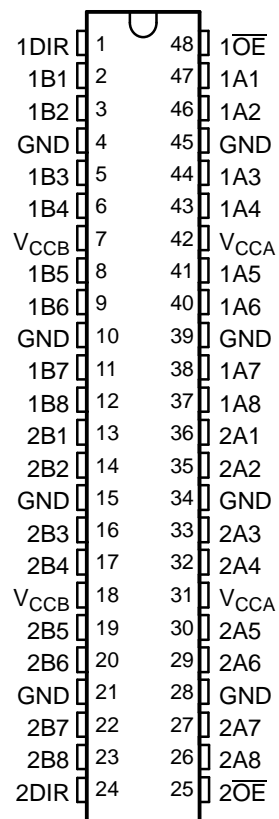
Widebus, DOC are trademarks of Texas Instruments.

SN74AVCB164245
16-BIT DUAL-SUPPLY BUS TRANSCEIVER
WITH CONFIGURABLE VOLTAGE TRANSLATION AND 3-STATE OUTPUTS

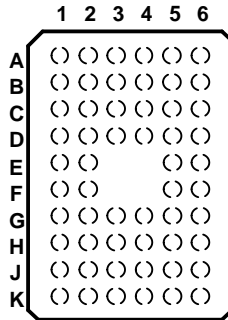
SCES394D–JUNE 2002–REVISED JUNE 2005

TERMINAL ASSIGNMENTS

DGG OR DGV PACKAGE
(TOP VIEW)



**GQL OR ZQL PACKAGE
(TOP VIEW)**

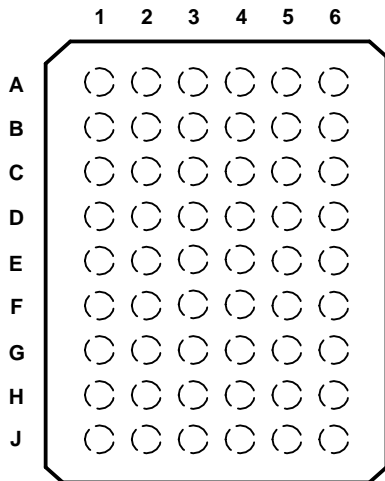


**TERMINAL ASSIGNMENTS
(56-Ball GQL/ZQL Package)⁽¹⁾**

| | 1 | 2 | 3 | 4 | 5 | 6 |
|----------|------|-----|------------------|------------------|-----|-------------------|
| A | 1DIR | NC | NC | NC | NC | 1 \overline{OE} |
| B | 1B2 | 1B1 | GND | GND | 1A1 | 1A2 |
| C | 1B4 | 1B3 | V _{CCB} | V _{CCA} | 1A3 | 1A4 |
| D | 1B6 | 1B5 | GND | GND | 1A5 | 1A6 |
| E | 1B8 | 1B7 | | | 1A7 | 1A8 |
| F | 2B1 | 2B2 | | | 2A2 | 2A1 |
| G | 2B3 | 2B4 | GND | GND | 2A4 | 2A3 |
| H | 2B5 | 2B6 | V _{CCB} | V _{CCA} | 2A6 | 2A5 |
| J | 2B7 | 2B8 | GND | GND | 2A8 | 2A7 |
| K | 2DIR | NC | NC | NC | NC | 2 \overline{OE} |

(1) NC - No internal connection

**GRD OR ZRD PACKAGE
(TOP VIEW)**



**TERMINAL ASSIGNMENTS
(54-Ball GRD/ZRD Package)⁽¹⁾**

| | 1 | 2 | 3 | 4 | 5 | 6 |
|----------|-----|-----|------------------|-------------------|-----|-----|
| A | 1B1 | NC | 1DIR | 1 \overline{OE} | NC | 1A1 |
| B | 1B3 | 1B2 | NC | NC | 1A2 | 1A3 |
| C | 1B5 | 1B4 | V _{CCB} | V _{CCA} | 1A4 | 1A5 |
| D | 1B7 | 1B6 | GND | GND | 1A6 | 1A7 |
| E | 2B1 | 1B8 | GND | GND | 1A8 | 2A1 |
| F | 2B3 | 2B2 | GND | GND | 2A2 | 2A3 |
| G | 2B5 | 2B4 | V _{CCB} | V _{CCA} | 2A4 | 2A5 |
| H | 2B7 | 2B6 | NC | NC | 2A6 | 2A7 |
| J | 2B8 | NC | 2DIR | 2 \overline{OE} | NC | 2A8 |

(1) NC - No internal connection

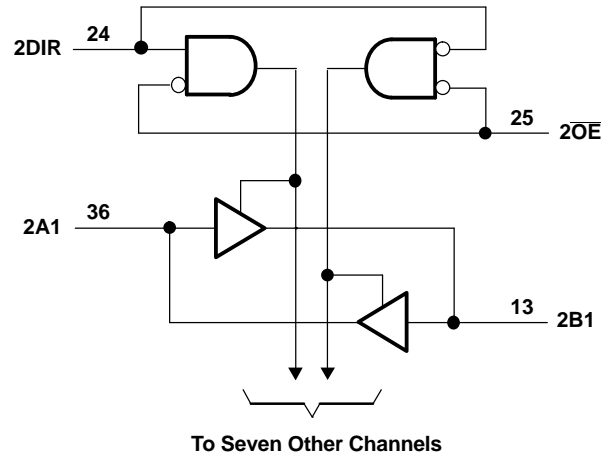
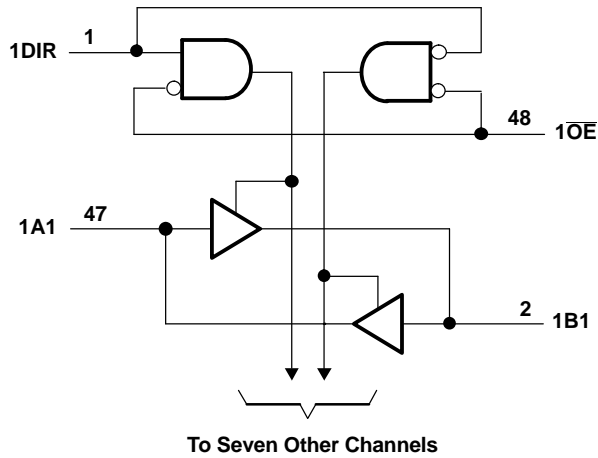
**FUNCTION TABLE
(EACH 8-BIT SECTION)**

| INPUTS | | OPERATION |
|-----------------|-----|-----------------|
| \overline{OE} | DIR | |
| L | L | B data to A bus |
| L | H | A data to B bus |
| H | X | Isolation |

SN74AVCB164245
16-BIT DUAL-SUPPLY BUS TRANSCEIVER
WITH CONFIGURABLE VOLTAGE TRANSLATION AND 3-STATE OUTPUTS

SCES394D–JUNE 2002–REVISED JUNE 2005

LOGIC DIAGRAM (POSITIVE LOGIC)



Pin numbers shown are for the DGG and DGV packages.

Absolute Maximum Ratings⁽¹⁾

over operating free-air temperature range (unless otherwise noted)

| | | MIN | MAX | UNIT | |
|------------------------|---|--------------------|------|-----------------|---|
| V_{CCA} V_{CCB} | Supply voltage range | -0.5 | 4.6 | V | |
| V_I | Input voltage range ⁽²⁾ | I/O ports (A port) | -0.5 | 4.6 | V |
| | | I/O ports (B port) | -0.5 | 4.6 | |
| | | Control inputs | -0.5 | 4.6 | |
| V_O | Voltage range applied to any output in the high-impedance or power-off state ⁽²⁾ | A port | -0.5 | 4.6 | V |
| | | B port | -0.5 | 4.6 | |
| V_O | Voltage range applied to any output in the high or low state ⁽²⁾⁽³⁾ | A port | -0.5 | $V_{CCA} + 0.5$ | V |
| | | B port | -0.5 | $V_{CCB} + 0.5$ | |
| I_{IK} | Input clamp current | $V_I < 0$ | -50 | mA | |
| I_{OK} | Output clamp current | $V_O < 0$ | -50 | mA | |
| I_O | Continuous output current | | 50 | mA | |
| | Continuous current through V_{CCA} , V_{CCB} , or GND | | 100 | mA | |
| θ_{JA} | Package thermal impedance ⁽⁴⁾ | DGG package | 70 | °C/W | |
| | | DGV package | 58 | | |
| | | GQL/ZQL package | 28 | | |
| | | GRD/ZRD package | 36 | | |
| T_{stg} | Storage temperature range | -65 | 150 | °C | |

- (1) Stresses beyond those listed under "absolute maximum ratings" may cause permanent damage to the device. These are stress ratings only, and functional operation of the device at these or any other conditions beyond those indicated under "recommended operating conditions" is not implied. Exposure to absolute-maximum-rated conditions for extended periods may affect device reliability.
- (2) The input and output negative-voltage ratings may be exceeded if the input and output current ratings are observed.
- (3) The output positive-voltage rating may be exceeded up to 4.6 V maximum if the output current rating is observed.
- (4) The package thermal impedance is calculated in accordance with JESD 51-7.

Recommended Operating Conditions⁽¹⁾⁽²⁾⁽³⁾

over operating free-air temperature range (unless otherwise noted)

| | | V_{CCI} | V_{CCO} | MIN | MAX | UNIT |
|---------------------|------------------------------------|--|------------------|-----------------------|-----------|------|
| V_{CCA} | Supply voltage | | | 1.4 | 3.6 | V |
| V_{CCB} | Supply voltage | | | 1.4 | 3.6 | V |
| V_{IH} | High-level input voltage | Data inputs | 1.4 V to 1.95 V | $V_{CCI} \times 0.65$ | | V |
| | | | 1.95 V to 2.7 V | 1.7 | | |
| | | | 2.7 V to 3.6 V | 2 | | |
| V_{IL} | Low-level input voltage | Data inputs | 1.4 V to 1.95 V | $V_{CCI} \times 0.35$ | | V |
| | | | 1.95 V to 2.7 V | 0.7 | | |
| | | | 2.7 V to 3.6 V | 0.8 | | |
| V_{IH} | High-level input voltage | Control inputs (referenced to V_{CCB}) | 1.4 V to 1.95 V | $V_{CCB} \times 0.65$ | | V |
| | | | 1.95 V to 2.7 V | 1.7 | | |
| | | | 2.7 V to 3.6 V | 2 | | |
| V_{IL} | Low-level input voltage | Control inputs (referenced to V_{CCB}) | 1.4 V to 1.95 V | $V_{CCB} \times 0.35$ | | V |
| | | | 1.95 V to 2.7 V | 0.7 | | |
| | | | 2.7 V to 3.6 V | 0.8 | | |
| V_I | Input voltage | | | 0 | 3.6 | V |
| V_O | Output voltage | Active state | | 0 | V_{CCO} | V |
| | | 3-state | | 0 | 3.6 | V |
| I_{OH} | High-level output current | | 1.4 V to 1.6 V | –2 | | mA |
| | | | 1.65 V to 1.95 V | –4 | | |
| | | | 2.3 V to 2.7 V | –8 | | |
| | | | 3 V to 3.6 V | –12 | | |
| I_{OL} | Low-level output current | | 1.4 V to 1.6 V | 2 | | mA |
| | | | 1.65 V to 1.95 V | 4 | | |
| | | | 2.3 V to 2.7 V | 8 | | |
| | | | 3 V to 3.6 V | 12 | | |
| $\Delta t/\Delta v$ | Input transition rise or fall rate | | | | 5 | ns/V |
| T_A | Operating free-air temperature | | | –40 | 85 | °C |

(1) V_{CCI} is the V_{CC} associated with the data input port.

(2) V_{CCO} is the V_{CC} associated with the data output port.

(3) All unused data inputs of the device must be held at V_{CCI} or GND to ensure proper device operation. Refer to the TI application report, *Implications of Slow or Floating CMOS Inputs*, literature number SCBA004.

SN74AVCB164245
16-BIT DUAL-SUPPLY BUS TRANSCEIVER
WITH CONFIGURABLE VOLTAGE TRANSLATION AND 3-STATE OUTPUTS

SCES394D–JUNE 2002–REVISED JUNE 2005

Electrical Characteristics⁽¹⁾⁽²⁾

over operating free-air temperature range (unless otherwise noted)

| PARAMETER | | TEST CONDITIONS | | V _{CCA} | V _{CCB} | MIN | TYP ⁽³⁾ | MAX | UNIT |
|--------------------------------|--|---|-------------------------------------|------------------|------------------|------------------------|--------------------|-------|------|
| V _{OH} | | I _{OH} = –100 μA | V _I = V _{IH} | 1.4 V to 3.6 V | 1.4 V to 3.6 V | V _{CCO} – 0.2 | | | V |
| | | I _{OH} = –2 mA | V _I = V _{IH} | 1.4 V | 1.4 V | 1.05 | | | |
| | | I _{OH} = –4 mA | V _I = V _{IH} | 1.65 V | 1.65 V | 1.2 | | | |
| | | I _{OH} = –8 mA | V _I = V _{IH} | 2.3 V | 2.3 V | 1.75 | | | |
| | | I _{OH} = –12 mA | V _I = V _{IH} | 3 V | 3 V | 2.3 | | | |
| V _{OL} | | I _{OH} = 100 μA | V _I = V _{IL} | 1.4 V to 3.6 V | 1.4 V to 3.6 V | | | 0.2 | V |
| | | I _{OH} = 2 mA | V _I = V _{IL} | 1.4 V | 1.4 V | | | 0.35 | |
| | | I _{OH} = 4 mA | V _I = V _{IL} | 1.65 V | 1.65 V | | | 0.45 | |
| | | I _{OH} = 8 mA | V _I = V _{IL} | 2.3 V | 2.3 V | | | 0.55 | |
| | | I _{OH} = 12 mA | V _I = V _{IL} | 3 V | 3 V | | | 0.7 | |
| I _I | Control inputs | V _I = V _{CCB} or GND | | 1.4 V to 3.6 V | 3.6 V | | | ±2.5 | μA |
| I _{off} | A port | V _I or V _O = 0 to 3.6 V | | 0 V | 0 to 3.6 V | | | ±10 | μA |
| | B port | | | 0 to 3.6 V | 0 V | | | ±10 | |
| I _{OZ} ⁽⁴⁾ | A or B ports | V _O = V _{CCO} or GND, V _I = V _{CCI} or GND | $\overline{OE} = V_{IH}$ | 3.6 V | 3.6 V | | | ±12.5 | μA |
| | B port | | $\overline{OE} = \text{don't care}$ | 0 V | 3.6 V | | | ±12.5 | |
| | A port | | | 3.6 V | 0 V | | | ±12.5 | |
| I _{CCA} | V _I = V _{CCI} or GND, I _O = 0 | | | 1.6 V | 1.6 V | | | 20 | μA |
| | | | | 1.95 V | 1.95 V | | | 20 | |
| | | | | 2.7 V | 2.7 V | | | 30 | |
| | | | | 0 V | 3.6 V | | | –40 | |
| | | | | 3.6 V | 0 V | | | 40 | |
| | | | | 3.6 V | 3.6 V | | | 40 | |
| I _{CCB} | V _I = V _{CCI} or GND, I _O = 0 | | | 1.6 V | 1.6 V | | | 20 | μA |
| | | | | 1.95 V | 1.95 V | | | 20 | |
| | | | | 2.7 V | 2.7 V | | | 30 | |
| | | | | 0 V | 3.6 V | | | 40 | |
| | | | | 3.6 V | 0 V | | | –40 | |
| | | | | 3.6 V | 3.6 V | | | 40 | |
| C _i | Control inputs | V _I = 3.3 V or GND | | 3.3 V | 3.3 V | 4 | | pF | |
| C _{io} | A or B ports | V _O = 3.3 V or GND | | 3.3 V | 3.3 V | 5 | | pF | |

- (1) V_{CCO} is the V_{CC} associated with the output port.
- (2) V_{CCI} is the V_{CC} associated with the input port.
- (3) All typical values are at T_A = 25°C.
- (4) For I/O ports, the parameter I_{OZ} includes the input leakage current.

Switching Characteristics

over recommended operating free-air temperature range, $V_{CCA} = 1.5 \text{ V} \pm 0.1 \text{ V}$ (see [Figure 2](#))

| PARAMETER | FROM (INPUT) | TO (OUTPUT) | $V_{CCB} = 1.5 \text{ V}$ 0.1 V | | $V_{CCB} = 1.8 \text{ V}$ 0.15 V | | $V_{CCB} = 2.5 \text{ V}$ 0.2 V | | $V_{CCB} = 3.3 \text{ V}$ 0.3 V | | UNIT |
|-----------|-----------------|-------------|------------------------------------|-----|-------------------------------------|-----|------------------------------------|-----|------------------------------------|-----|------|
| | | | MIN | MAX | MIN | MAX | MIN | MAX | MIN | MAX | |
| t_{pd} | A | B | 1.7 | 6.7 | 1.9 | 6.3 | 1.8 | 5.5 | 1.7 | 5.8 | ns |
| | B | A | 1.8 | 6.8 | 2.2 | 7.4 | 2.1 | 7.6 | 2.1 | 7.3 | |
| t_{en} | \overline{OE} | A | 2.5 | 8.4 | 2.4 | 7.4 | 2.1 | 5.2 | 1.9 | 4.2 | ns |
| | | B | 2.1 | 9 | 2.9 | 9.8 | 3.2 | 10 | 3 | 9.8 | |
| t_{dis} | \overline{OE} | A | 2.2 | 6.9 | 2.3 | 6.1 | 1.3 | 3.6 | 1.3 | 3 | ns |
| | | B | 2.1 | 7.1 | 2.3 | 6.4 | 1.7 | 5.1 | 1.6 | 4.8 | |

Switching Characteristics

over recommended operating free-air temperature range, $V_{CCA} = 1.8 \text{ V} \pm 0.15 \text{ V}$ (see [Figure 2](#))

| PARAMETER | FROM (INPUT) | TO (OUTPUT) | $V_{CCB} = 1.5 \text{ V}$ 0.1 V | | $V_{CCB} = 1.8 \text{ V}$ 0.15 V | | $V_{CCB} = 2.5 \text{ V}$ 0.2 V | | $V_{CCB} = 3.3 \text{ V}$ 0.3 V | | UNIT |
|-----------|-----------------|-------------|------------------------------------|-----|-------------------------------------|-----|------------------------------------|-----|------------------------------------|-----|------|
| | | | MIN | MAX | MIN | MAX | MIN | MAX | MIN | MAX | |
| t_{pd} | A | B | 1.7 | 6.7 | 1.8 | 6 | 1.7 | 4.7 | 1.6 | 4.3 | ns |
| | B | A | 1.4 | 5.5 | 1.8 | 6 | 1.8 | 5.8 | 1.8 | 5.5 | |
| t_{en} | \overline{OE} | A | 2.6 | 8.5 | 2.5 | 7.5 | 2.2 | 5.3 | 1.9 | 4.2 | ns |
| | | B | 1.8 | 7.6 | 2.6 | 7.7 | 2.6 | 7.6 | 2.6 | 7.4 | |
| t_{dis} | \overline{OE} | A | 2.3 | 7 | 2.3 | 6.1 | 1.3 | 3.6 | 1.3 | 3 | ns |
| | | B | 1.8 | 7 | 2.5 | 6.3 | 1.8 | 4.7 | 1.7 | 4.4 | |

Switching Characteristics

over recommended operating free-air temperature range, $V_{CCA} = 2.5 \text{ V} \pm 0.2 \text{ V}$ (see [Figure 2](#))

| PARAMETER | FROM (INPUT) | TO (OUTPUT) | $V_{CCB} = 1.5 \text{ V}$ 0.1 V | | $V_{CCB} = 1.8 \text{ V}$ 0.15 V | | $V_{CCB} = 2.5 \text{ V}$ 0.2 V | | $V_{CCB} = 3.3 \text{ V}$ 0.3 V | | UNIT |
|-----------|-----------------|-------------|------------------------------------|-----|-------------------------------------|-----|------------------------------------|-----|------------------------------------|-----|------|
| | | | MIN | MAX | MIN | MAX | MIN | MAX | MIN | MAX | |
| t_{pd} | A | B | 1.6 | 6 | 1.8 | 5.6 | 1.5 | 4 | 1.4 | 3.4 | ns |
| | B | A | 1.3 | 4.6 | 1.7 | 4.4 | 1.5 | 4 | 1.4 | 3.7 | |
| t_{en} | \overline{OE} | A | 3.1 | 8.5 | 2.5 | 7.5 | 2.2 | 5.3 | 1.9 | 4.2 | ns |
| | | B | 1.7 | 5.7 | 2.2 | 5.5 | 2.2 | 5.3 | 2.2 | 5.1 | |
| t_{dis} | \overline{OE} | A | 2.4 | 7 | 3 | 6.1 | 1.4 | 3.6 | 1.2 | 3 | ns |
| | | B | 1.2 | 5.8 | 1.9 | 5 | 1.4 | 3.6 | 1.3 | 3.3 | |

Switching Characteristics

over recommended operating free-air temperature range, $V_{CCA} = 3.3 \text{ V} \pm 0.3 \text{ V}$ (see [Figure 2](#))

| PARAMETER | FROM (INPUT) | TO (OUTPUT) | $V_{CCB} = 1.5 \text{ V}$ 0.1 V | | $V_{CCB} = 1.8 \text{ V}$ 0.15 V | | $V_{CCB} = 2.5 \text{ V}$ 0.2 V | | $V_{CCB} = 3.3 \text{ V}$ 0.3 V | | UNIT |
|-----------|-----------------|-------------|------------------------------------|-----|-------------------------------------|-----|------------------------------------|-----|------------------------------------|-----|------|
| | | | MIN | MAX | MIN | MAX | MIN | MAX | MIN | MAX | |
| t_{pd} | A | B | 1.5 | 5.9 | 1.7 | 5.4 | 1.5 | 3.7 | 1.4 | 3.1 | ns |
| | B | A | 1.3 | 4.5 | 1.6 | 3.8 | 1.5 | 3.3 | 1.4 | 3.1 | |
| t_{en} | \overline{OE} | A | 2.6 | 8.3 | 2.5 | 7.4 | 2.2 | 5.2 | 1.9 | 4.1 | ns |
| | | B | 1.6 | 4.9 | 2 | 4.5 | 2 | 4.3 | 1.9 | 4.1 | |
| t_{dis} | \overline{OE} | A | 2.3 | 7 | 3 | 6 | 1.3 | 3.5 | 1.2 | 3.5 | ns |
| | | B | 1.3 | 6.9 | 2.1 | 5.5 | 1.6 | 3.8 | 1.5 | 3.5 | |

Operating Characteristics

V_{CCA} and $V_{CCB} = 3.3\text{ V}$, $T_A = 25^\circ\text{C}$

| PARAMETER | | TEST CONDITIONS | TYP | UNIT |
|----------------------------|---|------------------|-----|------|
| C_{pdA} (V_{CCA}) | Power dissipation capacitance per transceiver, A-port input, B-port output | Outputs enabled | 14 | pF |
| | | Outputs disabled | 7 | |
| | Power dissipation capacitance per transceiver, B-port input, A-port output | Outputs enabled | 20 | |
| | | Outputs disabled | 7 | |
| C_{pdB} (V_{CCB}) | Power dissipation capacitance per transceiver, A-port input, B-port output | Outputs enabled | 20 | pF |
| | | Outputs disabled | 7 | |
| | Power dissipation capacitance per transceiver, B-port input, A-port output | Outputs enabled | 14 | |
| | | Outputs disabled | 7 | |

Output Description

The DOC™ circuitry is implemented, which, during the transition, initially lowers the output impedance to effectively drive the load and, subsequently, raises the impedance to reduce noise. Figure 1 shows typical V_{OL} vs I_{OL} and V_{OH} vs I_{OH} curves to illustrate the output impedance and drive capability of the circuit. At the beginning of the signal transition, the DOC circuit provides a maximum dynamic drive that is equivalent to a high-drive standard-output device. For more information, refer to the TI application reports, *AVC Logic Family Technology and Applications*, literature number SCEA006, and *Dynamic Output Control (DOC™) Circuitry Technology and Applications*, literature number SCEA009.

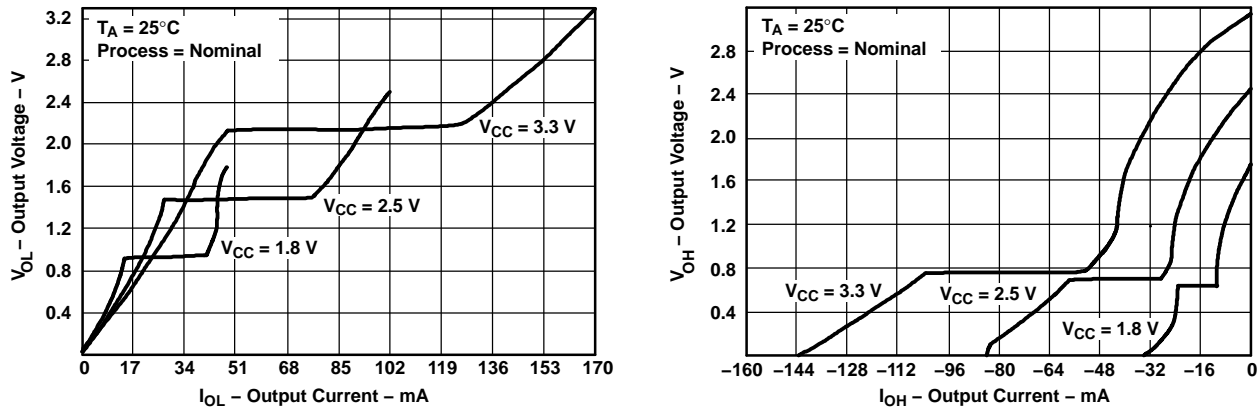
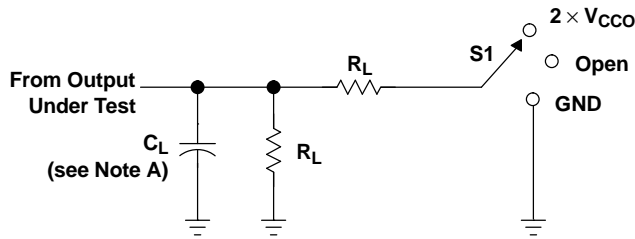


Figure 1. Typical Output Voltage vs Output Current

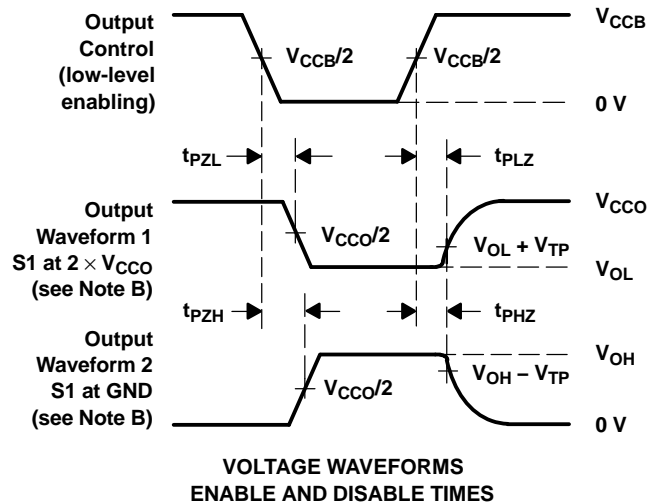
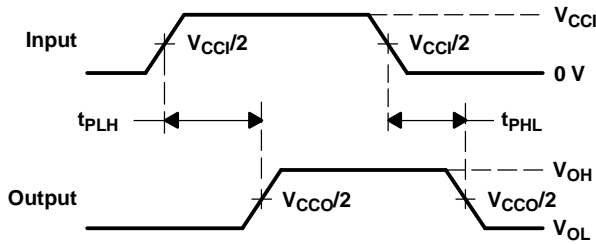
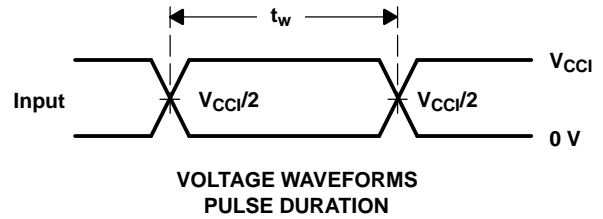
PARAMETER MEASUREMENT INFORMATION



LOAD CIRCUIT

| TEST | S1 |
|-------------------|--------------------|
| t_{pd} | Open |
| t_{PLZ}/t_{PZL} | $2 \times V_{CCO}$ |
| t_{PHZ}/t_{PZH} | GND |

| V_{CCO} | C_L | R_L | V_{TP} |
|----------------------------------|-------|--------------|----------|
| $1.5\text{ V} \pm 0.1\text{ V}$ | 15 pF | 2 k Ω | 0.1 V |
| $1.8\text{ V} \pm 0.15\text{ V}$ | 30 pF | 1 k Ω | 0.15 V |
| $2.5\text{ V} \pm 0.2\text{ V}$ | 30 pF | 500 Ω | 0.15 V |
| $3.3\text{ V} \pm 0.3\text{ V}$ | 30 pF | 500 Ω | 0.3 V |



- NOTES: A. C_L includes probe and jig capacitance.
 B. Waveform 1 is for an output with internal conditions such that the output is low, except when disabled by the output control. Waveform 2 is for an output with internal conditions such that the output is high, except when disabled by the output control.
 C. All input pulses are supplied by generators having the following characteristics: $PRR \leq 10\text{ MHz}$, $Z_O = 50\ \Omega$, $dv/dt \geq 1\text{ V/ns}$.
 D. The outputs are measured one at a time, with one transition per measurement.
 E. t_{PLZ} and t_{PHZ} are the same as t_{dis} .
 F. t_{PZL} and t_{PZH} are the same as t_{en} .
 G. t_{PLH} and t_{PHL} are the same as t_{pd} .
 H. V_{CCi} is the V_{CC} associated with the input port.
 I. V_{CCO} is the V_{CC} associated with the output port.

Figure 2. Load Circuit and Voltage Waveforms

PACKAGING INFORMATION

| Orderable Device | Status (1) | Package Type | Package Drawing | Pins | Package Qty | Eco Plan (2) | Lead finish/ Ball material (6) | MSL Peak Temp (3) | Op Temp (°C) | Device Marking (4/5) | Samples |
|------------------|---------------|--------------|-----------------|------|-------------|-----------------|--------------------------------------|----------------------|--------------|-------------------------|-------------------------|
| 74AVCB164245GRE4 | ACTIVE | TSSOP | DGG | 48 | 2000 | RoHS & Green | NIPDAU | Level-1-260C-UNLIM | -40 to 85 | AVCB164245 | Samples |
| 74AVCB164245GRG4 | ACTIVE | TSSOP | DGG | 48 | 2000 | RoHS & Green | NIPDAU | Level-1-260C-UNLIM | -40 to 85 | AVCB164245 | Samples |
| 74AVCB164245VRE4 | ACTIVE | TVSOP | DGV | 48 | 2000 | RoHS & Green | NIPDAU | Level-1-260C-UNLIM | -40 to 85 | WB4245 | Samples |
| SN74AVCB164245GR | ACTIVE | TSSOP | DGG | 48 | 2000 | RoHS & Green | NIPDAU | Level-1-260C-UNLIM | -40 to 85 | AVCB164245 | Samples |
| SN74AVCB164245VR | ACTIVE | TVSOP | DGV | 48 | 2000 | RoHS & Green | NIPDAU | Level-1-260C-UNLIM | -40 to 85 | WB4245 | Samples |

(1) The marketing status values are defined as follows:

ACTIVE: Product device recommended for new designs.

LIFEBUY: TI has announced that the device will be discontinued, and a lifetime-buy period is in effect.

NRND: Not recommended for new designs. Device is in production to support existing customers, but TI does not recommend using this part in a new design.

PREVIEW: Device has been announced but is not in production. Samples may or may not be available.

OBSELETE: TI has discontinued the production of the device.

(2) **RoHS:** TI defines "RoHS" to mean semiconductor products that are compliant with the current EU RoHS requirements for all 10 RoHS substances, including the requirement that RoHS substance do not exceed 0.1% by weight in homogeneous materials. Where designed to be soldered at high temperatures, "RoHS" products are suitable for use in specified lead-free processes. TI may reference these types of products as "Pb-Free".

RoHS Exempt: TI defines "RoHS Exempt" to mean products that contain lead but are compliant with EU RoHS pursuant to a specific EU RoHS exemption.

Green: TI defines "Green" to mean the content of Chlorine (Cl) and Bromine (Br) based flame retardants meet JS709B low halogen requirements of <=1000ppm threshold. Antimony trioxide based flame retardants must also meet the <=1000ppm threshold requirement.

(3) MSL, Peak Temp. - The Moisture Sensitivity Level rating according to the JEDEC industry standard classifications, and peak solder temperature.

(4) There may be additional marking, which relates to the logo, the lot trace code information, or the environmental category on the device.

(5) Multiple Device Markings will be inside parentheses. Only one Device Marking contained in parentheses and separated by a "~" will appear on a device. If a line is indented then it is a continuation of the previous line and the two combined represent the entire Device Marking for that device.

(6) Lead finish/Ball material - Orderable Devices may have multiple material finish options. Finish options are separated by a vertical ruled line. Lead finish/Ball material values may wrap to two lines if the finish value exceeds the maximum column width.

Important Information and Disclaimer:The information provided on this page represents TI's knowledge and belief as of the date that it is provided. TI bases its knowledge and belief on information provided by third parties, and makes no representation or warranty as to the accuracy of such information. Efforts are underway to better integrate information from third parties. TI has taken and continues to take reasonable steps to provide representative and accurate information but may not have conducted destructive testing or chemical analysis on incoming materials and chemicals. TI and TI suppliers consider certain information to be proprietary, and thus CAS numbers and other limited information may not be available for release.

In no event shall TI's liability arising out of such information exceed the total purchase price of the TI part(s) at issue in this document sold by TI to Customer on an annual basis.

OTHER QUALIFIED VERSIONS OF SN74AVCB164245 :

- Automotive: [SN74AVCB164245-Q1](#)
- Enhanced Product: [SN74AVCB164245-EP](#)

NOTE: Qualified Version Definitions:

- Automotive - Q100 devices qualified for high-reliability automotive applications targeting zero defects
- Enhanced Product - Supports Defense, Aerospace and Medical Applications

TAPE AND REEL INFORMATION



QUADRANT ASSIGNMENTS FOR PIN 1 ORIENTATION IN TAPE



*All dimensions are nominal

| Device | Package Type | Package Drawing | Pins | SPQ | Reel Diameter (mm) | Reel Width W1 (mm) | A0 (mm) | B0 (mm) | K0 (mm) | P1 (mm) | W (mm) | Pin1 Quadrant |
|------------------|--------------|-----------------|------|------|--------------------|--------------------|---------|---------|---------|---------|--------|---------------|
| SN74AVCB164245GR | TSSOP | DGG | 48 | 2000 | 330.0 | 24.4 | 8.6 | 13.0 | 1.8 | 12.0 | 24.0 | Q1 |
| SN74AVCB164245VR | TVSOP | DGV | 48 | 2000 | 330.0 | 16.4 | 7.1 | 10.2 | 1.6 | 12.0 | 16.0 | Q1 |

TAPE AND REEL BOX DIMENSIONS


*All dimensions are nominal

| Device | Package Type | Package Drawing | Pins | SPQ | Length (mm) | Width (mm) | Height (mm) |
|------------------|--------------|-----------------|------|------|-------------|------------|-------------|
| SN74AVCB164245GR | TSSOP | DGG | 48 | 2000 | 367.0 | 367.0 | 45.0 |
| SN74AVCB164245VR | TVSOP | DGV | 48 | 2000 | 853.0 | 449.0 | 35.0 |

DGV (R-PDSO-G**)

PLASTIC SMALL-OUTLINE

24 PINS SHOWN



4073251/E 08/00

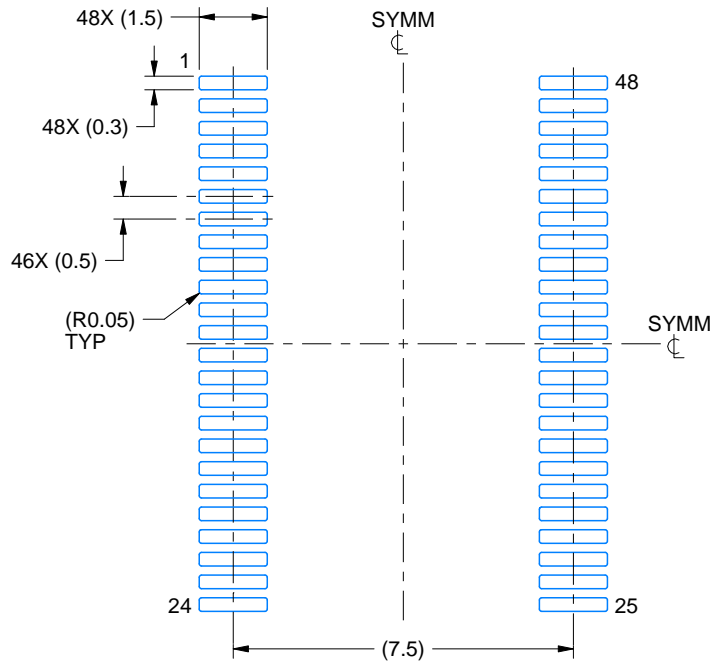
- NOTES: A. All linear dimensions are in millimeters.
 B. This drawing is subject to change without notice.
 C. Body dimensions do not include mold flash or protrusion, not to exceed 0,15 per side.
 D. Falls within JEDEC: 24/48 Pins – MO-153
 14/16/20/56 Pins – MO-194

EXAMPLE BOARD LAYOUT

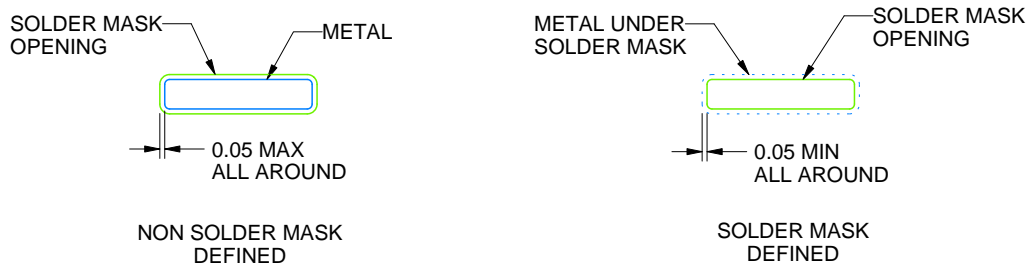
DGG0048A

TSSOP - 1.2 mm max height

SMALL OUTLINE PACKAGE



LAND PATTERN EXAMPLE
SCALE:6X



SOLDER MASK DETAILS

4214859/B 11/2020

NOTES: (continued)

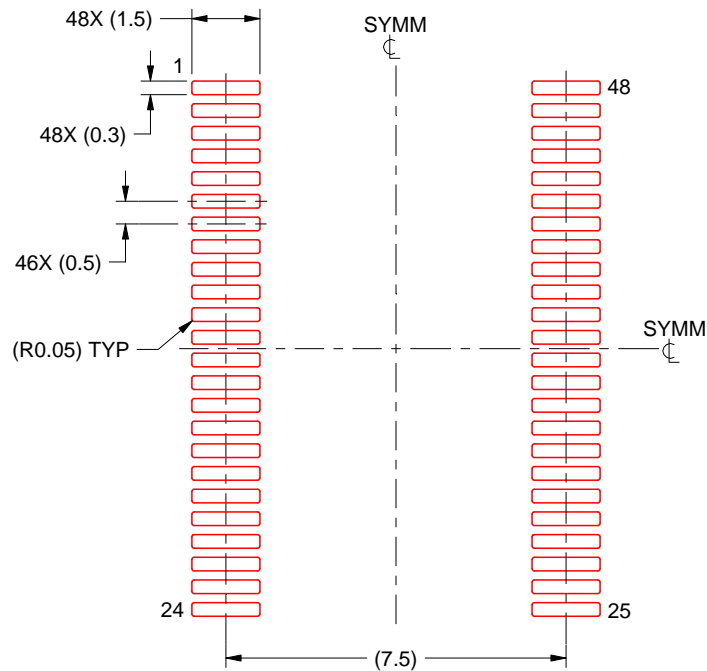
5. Publication IPC-7351 may have alternate designs.
6. Solder mask tolerances between and around signal pads can vary based on board fabrication site.

EXAMPLE STENCIL DESIGN

DGG0048A

TSSOP - 1.2 mm max height

SMALL OUTLINE PACKAGE



SOLDER PASTE EXAMPLE
BASED ON 0.125 mm THICK STENCIL
SCALE:6X

4214859/B 11/2020

NOTES: (continued)

7. Laser cutting apertures with trapezoidal walls and rounded corners may offer better paste release. IPC-7525 may have alternate design recommendations.
8. Board assembly site may have different recommendations for stencil design.

DGG (R-PDSO-G**)

PLASTIC SMALL-OUTLINE PACKAGE

48 PINS SHOWN



- NOTES: A. All linear dimensions are in millimeters.
 B. This drawing is subject to change without notice.
 C. Body dimensions do not include mold protrusion not to exceed 0,15.
 D. Falls within JEDEC MO-153

IMPORTANT NOTICE AND DISCLAIMER

TI PROVIDES TECHNICAL AND RELIABILITY DATA (INCLUDING DATASHEETS), DESIGN RESOURCES (INCLUDING REFERENCE DESIGNS), APPLICATION OR OTHER DESIGN ADVICE, WEB TOOLS, SAFETY INFORMATION, AND OTHER RESOURCES "AS IS" AND WITH ALL FAULTS, AND DISCLAIMS ALL WARRANTIES, EXPRESS AND IMPLIED, INCLUDING WITHOUT LIMITATION ANY IMPLIED WARRANTIES OF MERCHANTABILITY, FITNESS FOR A PARTICULAR PURPOSE OR NON-INFRINGEMENT OF THIRD PARTY INTELLECTUAL PROPERTY RIGHTS.

These resources are intended for skilled developers designing with TI products. You are solely responsible for (1) selecting the appropriate TI products for your application, (2) designing, validating and testing your application, and (3) ensuring your application meets applicable standards, and any other safety, security, or other requirements. These resources are subject to change without notice. TI grants you permission to use these resources only for development of an application that uses the TI products described in the resource. Other reproduction and display of these resources is prohibited. No license is granted to any other TI intellectual property right or to any third party intellectual property right. TI disclaims responsibility for, and you will fully indemnify TI and its representatives against, any claims, damages, costs, losses, and liabilities arising out of your use of these resources.

TI's products are provided subject to TI's Terms of Sale (<https://www.ti.com/legal/termsofsale.html>) or other applicable terms available either on [ti.com](https://www.ti.com) or provided in conjunction with such TI products. TI's provision of these resources does not expand or otherwise alter TI's applicable warranties or warranty disclaimers for TI products.

Mailing Address: Texas Instruments, Post Office Box 655303, Dallas, Texas 75265
Copyright © 2021, Texas Instruments Incorporated