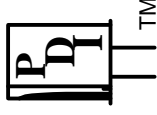


# Precision Devices, Inc.



8840 N. Greenview Dr.  
Middleton, WI 53562  
Phone: 608-831-4445  
1-800-274-XTAL  
Fax: 608-831-3343



Visit our web site at [www.pdixtal.com](http://www.pdixtal.com)

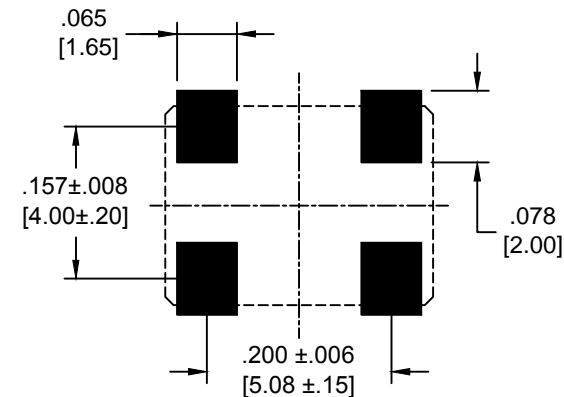
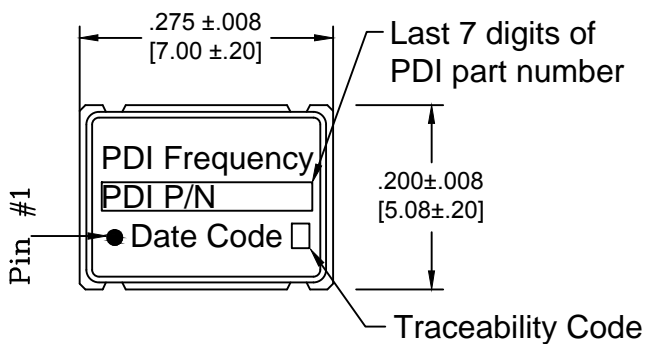
Sales Information [sales@pdixtal.com](mailto:sales@pdixtal.com)

## Electrical Specifications

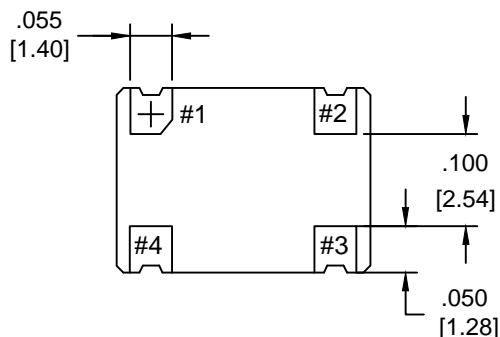
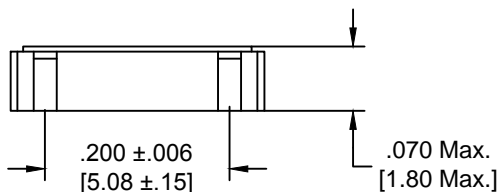
- Center Frequency: 125.000000 MHz
- Output: CMOS
- Frequency Tolerance @ 25°C: See Frequency Stability
- Operating Temperature Range: -40°C to +85°C
- Frequency Stability: ±50ppm (Including Calibration @25°C, Operating Temperature, Supply Voltage Variations, Aging 10 years, Load and reflow)
- Storage Temperature Range: -55°C to 125°C
- Duty Cycle: 45/55% measured @ 50% Vdd
- T-Rise: 2.0nS maximum measured @20 to 80% waveform  
T-Fall: 2.0nS maximum measured @80 to 20% waveform
- Supply Current: Output Enabled: 35mA maximum  
Output Disabled (Hi-Z): 10uA maximum
- Supply Voltage: +2.5Vdc±5%
- Output Voltage (CMOS): VOL: 10% Vdd  
VOH: 90% Vdd
- Output Load: 15pF maximum,
- Phase Jitter: 1pS RMS maximum (12kHz to 40MHz frequency band)
- Total Jitter: 40pS maximum pk-pk (100,000 random periods)
- Output Enabled (pin 1): 70%Vdd minimum
- Output Disabled (pin 1): 30%Vdd maximum
- Internal Pull-up Resistance: 50K Ohms minimum
- Output Disable Delay: 100nS maximum
- Output Enable Delay: 1mS maximum
- Start-Up Time: 10 mS maximum

The information contained in this drawing is the sole property of Precision Devices Inc. Any reproduction in part or as a whole without the written permission of Precision Devices Inc. is prohibited.

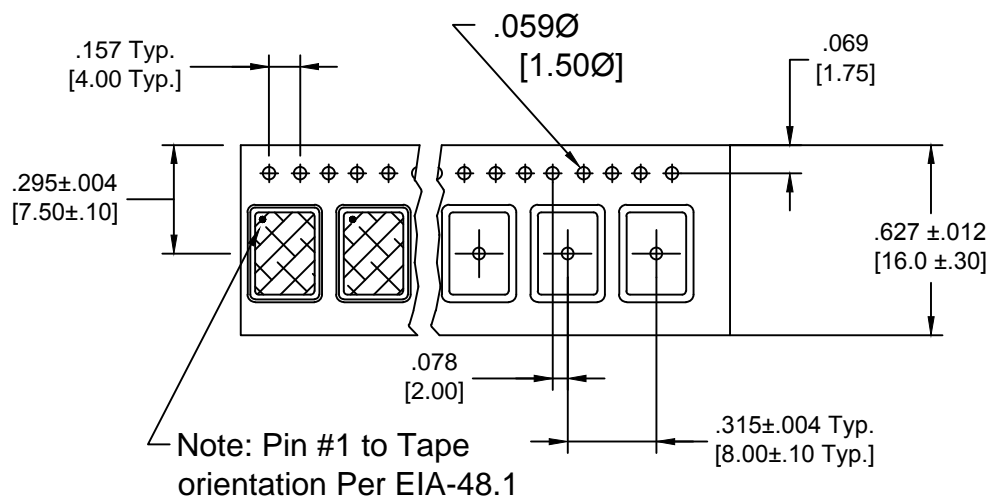
| REV. | DATE  | PAGE | DESCRIPTION                 | Auth. | ECN | Originator                                   | Date            | Engineering  | Date        |
|------|-------|------|-----------------------------|-------|-----|--|-----------------|--------------|-------------|
|      |       |      |                             |       |     | D.G.   | 11/17/2011      | B.A.A.       | 11/17/2011  |
|      |       |      |                             |       |     | TITLE<br>Ceramic Crystal Oscillator Assembly |                 | FKA<br>6791R |             |
|      |       |      |                             |       |     | PART NUMBER<br><b>OC7EC12500CCDRB</b>        |                 |              |             |
|      |       |      |                             |       |     | DATE<br>11/17/2011                           | SCALE<br>N.T.S. | ECN.<br>N/A  | REV.<br>A   |
| A    | 11/11 | All  | Original Release<br>Updated | D.G.  | N/A | SIZE<br>A                                    | CAGE<br>0S4G1   |              | Page 1 of 2 |



Recommended Land Pattern



| PIN | Connection |
|-----|------------|
| 1   | Tri-State  |
| 2   | Ground     |
| 3   | Output     |
| 4   | Vcc        |



# Precision Devices Inc.

8840 N. Greenview Dr.  
Middleton WI 53562  
608-831-4445  
1-800-274-XTAL



Manufacturer of Quartz Crystal Products

| DECIMAL               | DWG FILE                            | PART NUMBER            |                   |
|-----------------------|-------------------------------------|------------------------|-------------------|
| XX=±.020<br>XXX=±.008 | <b>6791R</b>                        | <b>OC7EC12500CCDRB</b> |                   |
| METRIC                | SCALE                               | FREQUENCY              | DRAWN BY          |
| XX=±.50<br>XXX=±.20   | <b>N.T.S.</b>                       | <b>125.000000 MHz</b>  | <b>J.Lawinger</b> |
| ANGULAR               | DRAWING TYPE                        | REV. LEVEL             | DATE              |
| XX=±2°                | Ceramic Crystal Oscillator Assembly | <b>A</b>               | <b>11/17/2011</b> |
|                       | ECN NO.                             | CAGE CODE              |                   |
|                       | <b>N/A</b>                          | <b>0S4G1</b>           |                   |