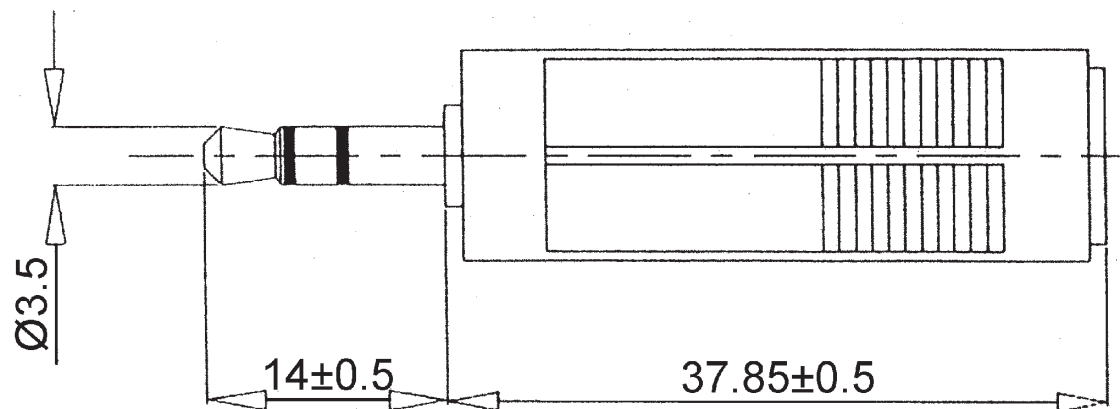


RoHS  
Compliant  
Drawing For  
Reference Only



Technical requirement :

1. This product should meet EU RoHS related requirement.
2. The surface of plastic part should be without any crackle such as burr,lack,and so on phenomenon.
3. The surface of metal part should be without any defect such as scaur,nick,oxidation and plating problem.
4. The electronic performance should be the same as spec.
5. The un-specified tolerance is : <math><6\pm 0.1</math>  
   6~20±0.2  
   >20±0.3

Specification :

Contact Resistance : 30m ohm max.  
 Insulation Resistance : 100M ohm min. at DC 500V  
 Dielectric Strength : AC 500V for one minute.

<b>DCI DRAGON CITY INDUSTRIES LIMITED</b>			Design	K.W Law	Remark		Scale	
			Drawing	W.K Yeung	Remark		Material	
Item Name	3.5mm Stereo Plug To 6.3mm Stereo Jack	Tolerance :	Check	K.L Wong	Remark		Dwg No.	90608-1424
Item No.	NP-551-EN	Unit : mm	Approval	K.W Chan	Remark		Sheet	