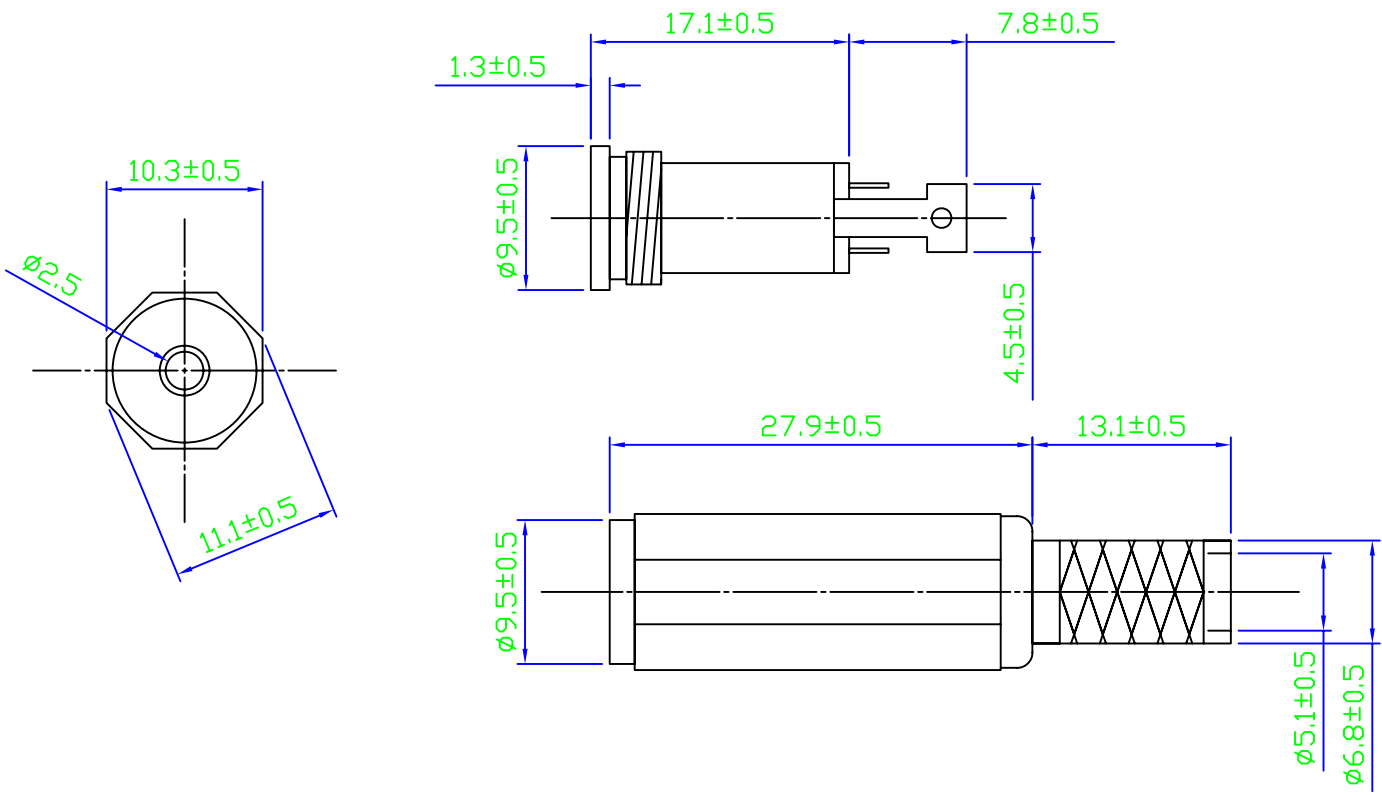


RoHS
Compliant
Drawing For
Reference Only



Technical requirement :

1. This product should meet EU RoHS related requirement.
2. The surface of plastic part should be without any crackle such as burr,lack,and so on phenomenon.
3. The surface of metal part should be without any defect such as scaur,nick,oxidation and plating problem.
4. The electronic performance should be the same as spec.
5. The un-specified tolerance is : $<6 \pm 0.1$
 $6 \sim 20 \pm 0.2$
 $>20 \pm 0.3$

Specification :

Contact Resistance : 30m ohm max.
 Insulation Resistance : 100M ohm min. at DC 500V
 Dielectric Strength : 500V for one minute.

DCI DRAGON CITY INDUSTRIES LIMITED

Item Name	2.5mm Mono Inline Jack	Tolerance :	Design	K.W Law	Remark	Scale
Item No.	NP-302-EN	Unit : mm	Drawing	W.K Yeung	Remark	Material
			Check	K.L Wong	Remark	Drawing No. 90421-1655
			Approval	K.W Chan	Remark	Sheet