

NUMBER  
179552

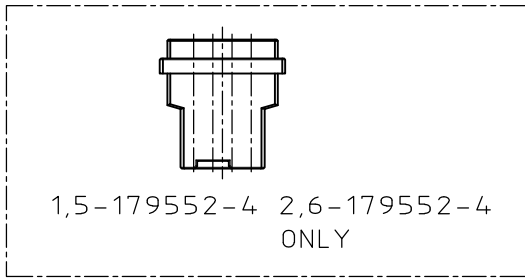
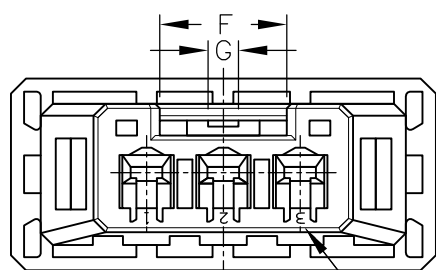
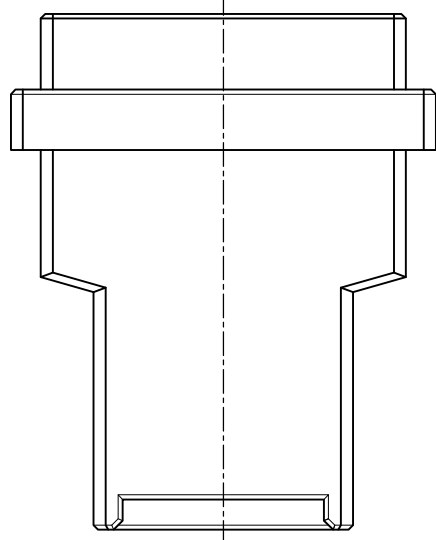
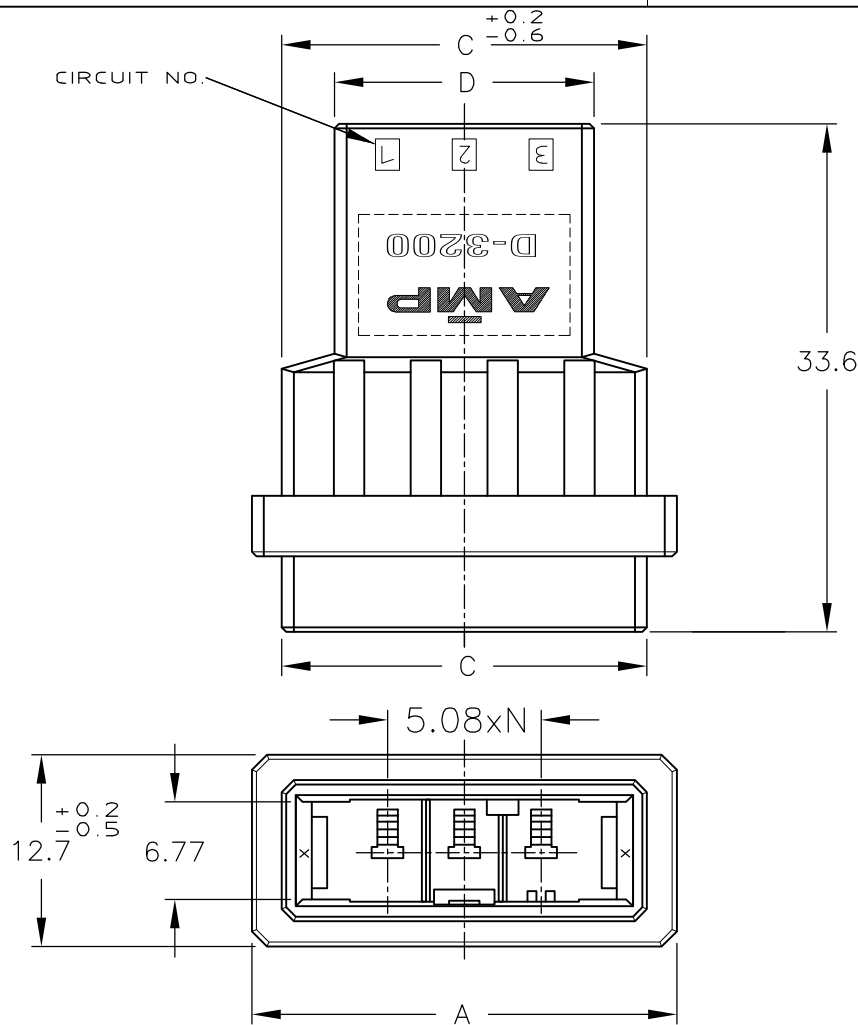


METRIC

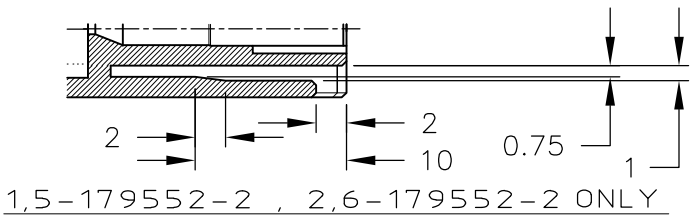
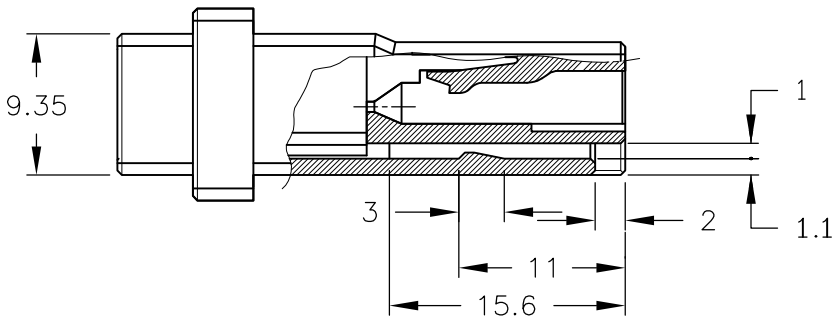
DIMENSIONS IN MM. DO NOT SCALE PRINT

PRINT DIST

AMP-J  
REV.10/'83



1,5-179552-4 2,6-179552-4 ONLY



1,5-179552-2 , 2,6-179552-2 ONLY

NOTES

- 1 MATERIAL:GLASS FIELD THERMO PLASTIC,POLYESTER COLOR,BLACK
- 2 ~~TO COAT ALL SURFACE OF HOUSING WITH TEFLON~~

FINISH	KEYING PATTERN	POS.	DIMENSION	A	-	C	D	-	F	G	N	KEY	PART NUMBER
OBSOLETE			4	33.19	29.24	22.24	8.4	2	3	Y			<del>6-179552-4</del>
OBSOLETE			4	33.19	29.24	22.24	8.4	2	3	X			<del>5-179552-4</del>
-			4	33.19	29.24	22.24	8.4	2	3	Y			2-179552-4
-			4	33.19	29.24	22.24	8.4	2	3	X			1-179552-4
OBSOLETE			3	28.11	24.16	17.16	8.4	2	2	Y			<del>6-179552-3</del>
OBSOLETE			3	28.11	24.16	17.16	8.4	2	2	X			<del>5-179552-3</del>
-			3	28.11	24.16	17.16	8.4	2	2	Y			2-179552-3
-			3	28.11	24.16	17.16	8.4	2	2	X			1-179552-3
OBSOLETE			2	23.03	19.08	12.08	8.4	2	1	Y			<del>6-179552-2</del>
OBSOLETE			2	23.03	19.08	12.08	8.4	2	1	X			<del>5-179552-2</del>
-			2	23.03	19.08	12.08	8.4	2	1	Y			2-179552-2
-			2	23.03	19.08	12.08	8.4	2	1	X			1-179552-2



(WIRE RANGE)	(INSULATION DIA.)	(NAME)
- mm(AWG - )	- mmφ	D3200S WIRE TO WIRE TAB HSG FOR DYNAMIC D-3200S FREE HANGING TYPE
(MATERIAL)	(FINISH)	(No.)
SEE NOTES		C=179552
(GENERAL TOLERANCE)	SIZE	LOC
≤10 : ±0.2 10 ≤30 : ±0.25 30 ≤100 : ±0.3 ANGLE : ±3°	A3	J
	(SCALE)	REV.
	2/1	F
		SHEET
		1 OF 1

F	REVISED PER ECR-11-012413	T.T	T.M	17 JUN 11
LTR	(REVISION RECORD)	DR	CHK	DATE

DR.	31 JAN 94 N. Matsubara	DE.	31 JAN 94 N. Matsubara
CHK.	1 FEB 94 S. MANABE	APP.	1 FEB 94 S. MANABE

# Mouser Electronics

Authorized Distributor

Click to View Pricing, Inventory, Delivery & Lifecycle Information:

[TE Connectivity:](#)

[1-179552-4](#)