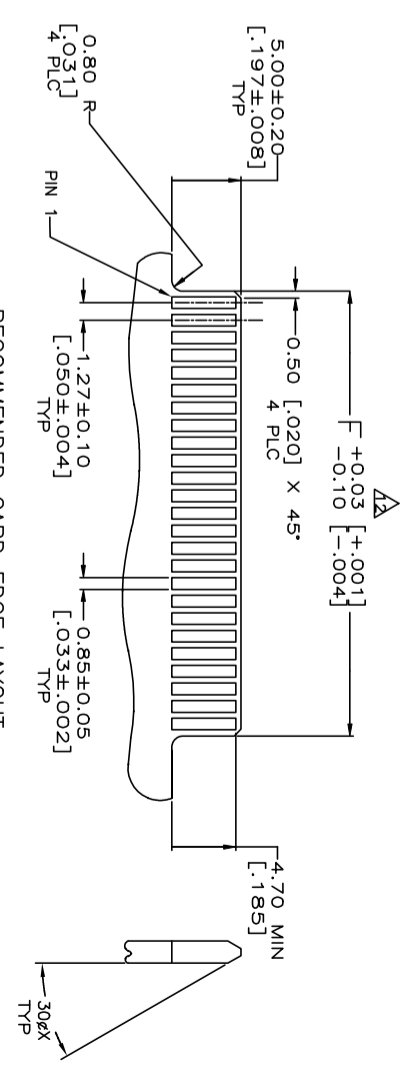
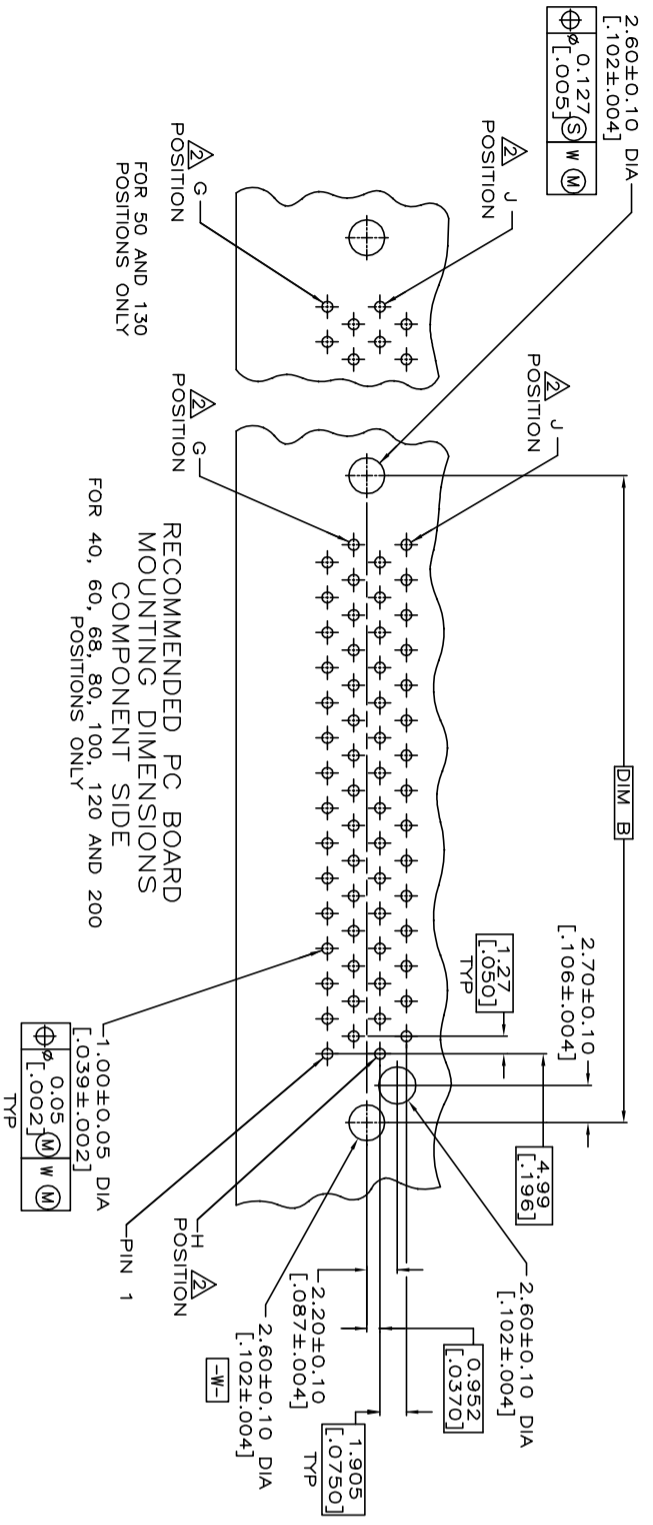
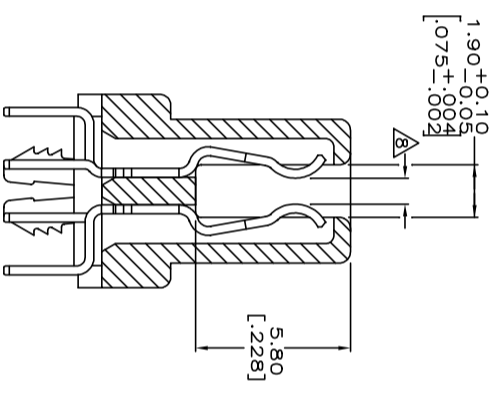
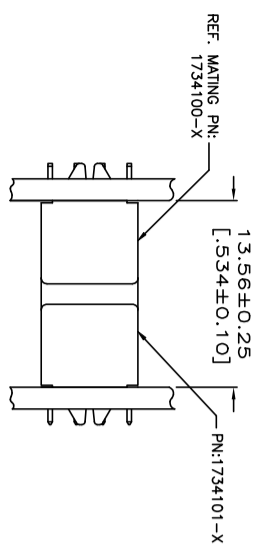


LOC	DIST	P	LTR	DESCRIPTION	DATE	DWN	APVD
DW				SEE SHEET 1.			

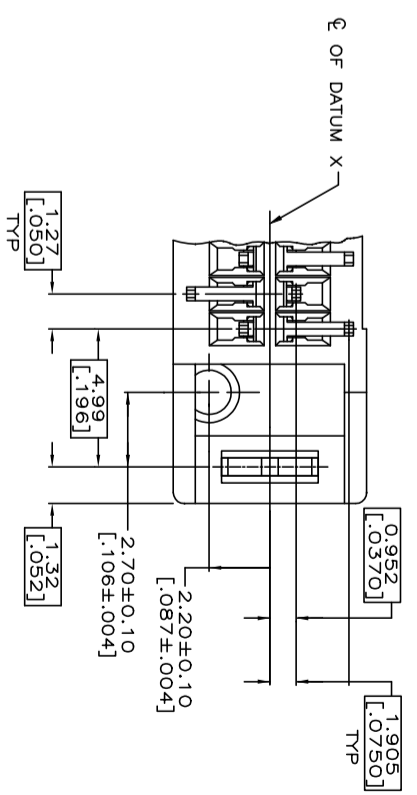
REV	DESCRIPTION	DATE	DWN	APVD



VERTICAL RECEPTACLE ASSEMBLY MATED TO VERTICAL PLUG ASSEMBLY

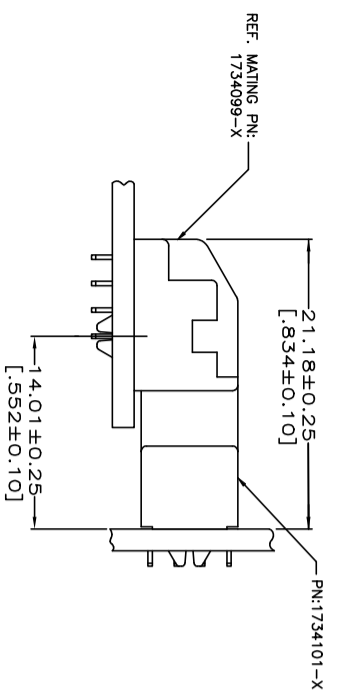


SECTION E-E SCALE 8:1



DETAIL D SCALE 8:1

VERTICAL RECEPTACLE ASSEMBLY MATED TO VERTICAL PLUG ASSEMBLY



THIS DRAWING IS A CONTROLLED DOCUMENT.

DIMENSIONS:	MM	TOLERANCES UNLESS OTHERWISE SPECIFIED:	DWN	CHK	APVD	PRODUCT SPEC	QUALIFICATION TEST REPORT	WEIGHT	CUSTOMER DRAWING
		0 PLC ±							
		1 PLC ±							
		2 PLC ±							
		3 PLC ±							
		4 PLC ±							
		ANGLES ±							
		FINISH ±							
MATERIAL									

		TE Connectivity	
RECEPTACLE ASSEMBLY, VERTICAL, BOARD-TO-BOARD, CHAMP.050, SERIES 1,			
NAME	SIZE	CAGE CODE	DRAWING NO
	A3	00779	1734101
RESTRICTED TO	SCALE	SHEET	REV
		2 OF 4	E2

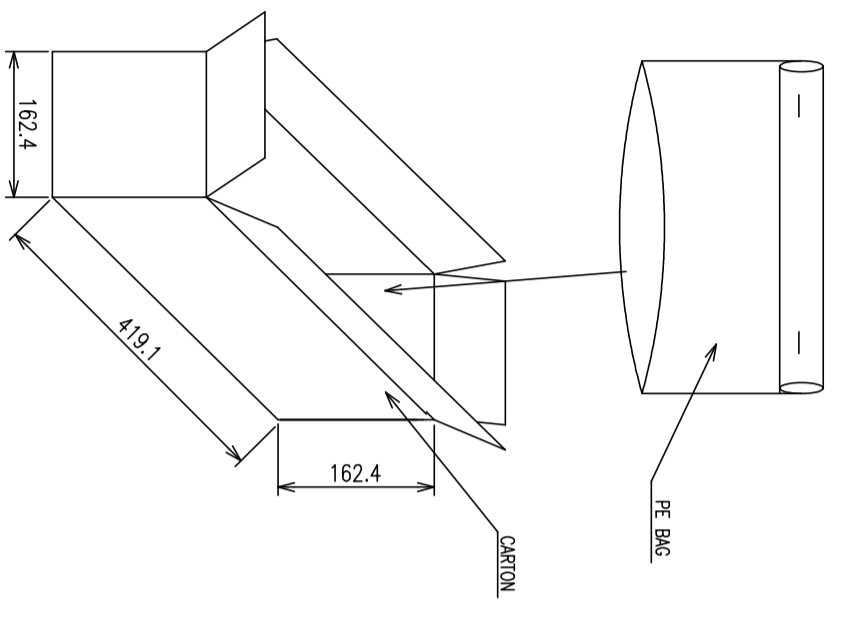
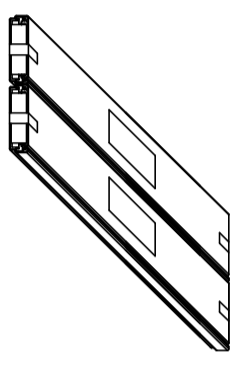
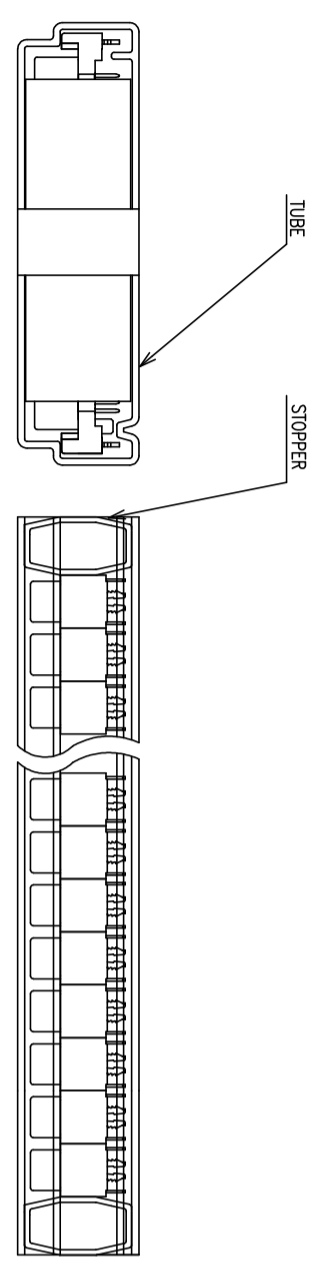
THIS DRAWING IS UNPUBLISHED. RELEASED FOR PUBLICATION AUG. 2006.

© COPYRIGHT BY TYCO ELECTRONICS CORPORATION. ALL RIGHTS RESERVED.

Loc DW DIST

REVISIONS

P	LTR	DESCRIPTION	DATE	DMN	APVD
		SEE SHEET 1.			



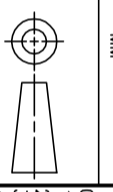
DMN	CHK	APVD	PRODUCT SPEC	QUALIFICATION TEST REPORT	WEIGHT	CUSTOMER DRAWING	G.W./CARTON (KG)	N.W./CARTON (KG)	PCS/TUBE	TUBES/CARTON	QUANTITY/CARTON (PCS)	PART NUMBER	POS.
							4.21	2.89	54	8	432	5-1734101-3	120
							6.84	4.92	54	16	864	3-1734101-1	100
							5.61	4.06	54	16	864	5-1734101-8	80
							5.05	3.63	54	16	864	6-1734101-7	68
							4.65	3.23	54	16	864	7-1734101-7	60
							4.28	3.11	54	16	864	4-1734101-6	60
							4.72	3.42	54	16	864	6-1734101-6	60
							5.32	4.02	54	24	1296	2-1734101-7	50
							4.42	3.37	54	24	1296	5-1734101-4	40
							6.25	5.36	54	32	1728	6-1734101-3	30

STE TE Connectivity

RECEPTACLE ASSEMBLY, VERTICAL, BOARD-TO-BOARD, CHAMP.050, SERIES 1,

THIS DRAWING IS A CONTROLLED DOCUMENT.

DIMENSIONS: MM



TOLERANCES UNLESS OTHERWISE SPECIFIED:	FINISH
0 PLC	± .1
1 PLC	± .1
2 PLC	± .1
3 PLC	± .1
4 PRC ANGLES	± .1

APVD: _____

NAME: _____

SIZE: A3

CAGE CODE: 00779

DRAWING NO: 1734101

SCALE: _____

SHEET: 3 OF 4

REV: E2

RESTRICTED TO: _____

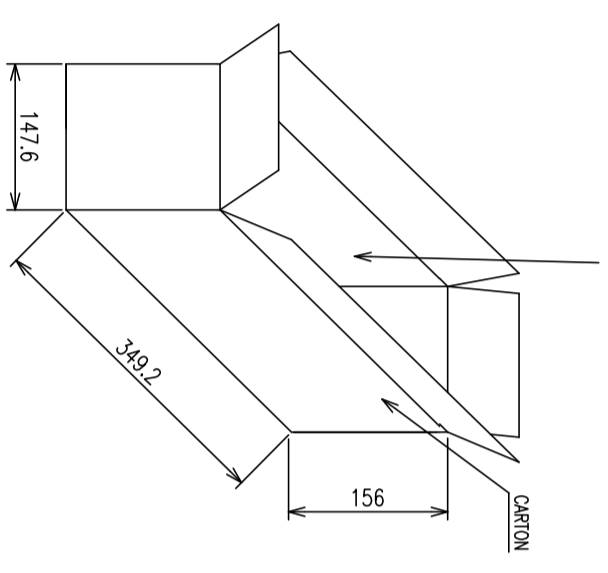
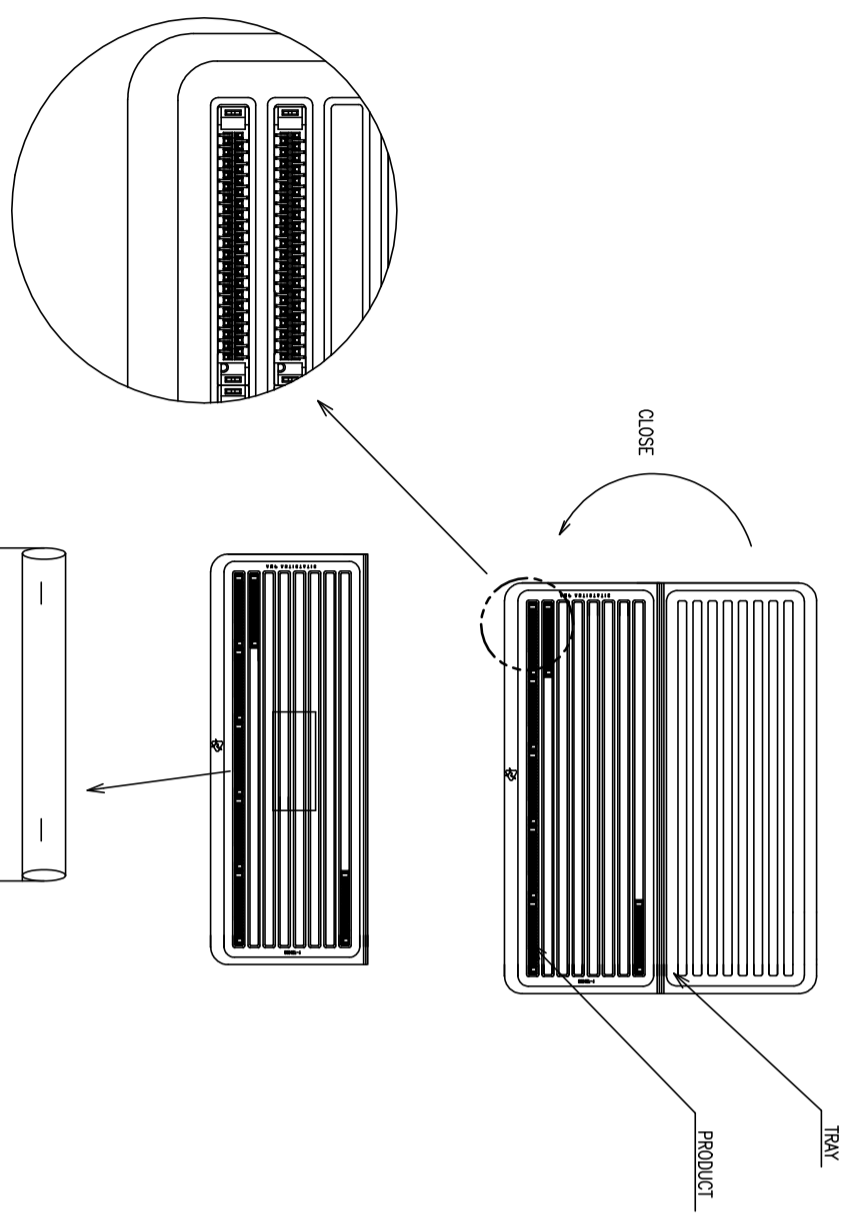
THIS DRAWING IS UNPUBLISHED.
 © COPYRIGHT - BY TYCO ELECTRONICS CORPORATION. ALL RIGHTS RESERVED.

RELEASED FOR PUBLICATION
 AUG. 2006.

Loc DW
 DIST

REVISIONS

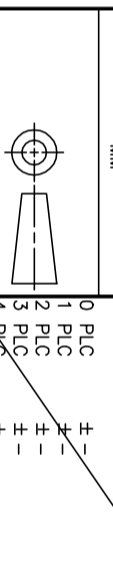
P	LTR	DESCRIPTION	DATE	DWN	APVD
		SEE SHEET 1.			



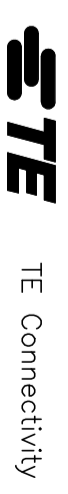
REV	DESCRIPTION	QTY	UNIT	DATE	BY	CHK
5-1734101-6						
3-1734101-6						
1-1734101-6						
5-1734101-5						
3-1734101-5						
1-1734101-5						
5-1734101-4						
3-1734101-4						
1-1734101-4						
4-1734101-9						
6-1734101-9						
1734101-9						

THIS DRAWING IS A CONTROLLED DOCUMENT.

DIMENSIONS:	MM	TOLERANCES UNLESS OTHERWISE SPECIFIED:
0	PLC	± .1
1	PLC	± .1
2	PLC	± .1
3	PLC	± .1
4	PLC ANGLES	± .1



MATERIAL	FINISH



TE Connectivity
 RECEPTACLE ASSEMBLY,
 VERTICAL, BOARD-TO-BOARD,
 CHAMP.050, SERIES 1,

APVD	NAME	SIZE	CAGE CODE	DRAWING NO	SCALE	SHEET	OF	REV
		A3	00779	1734101		4	4	2

Mouser Electronics

Authorized Distributor

Click to View Pricing, Inventory, Delivery & Lifecycle Information:

[TE Connectivity:](#)

[1-1734101-0](#)