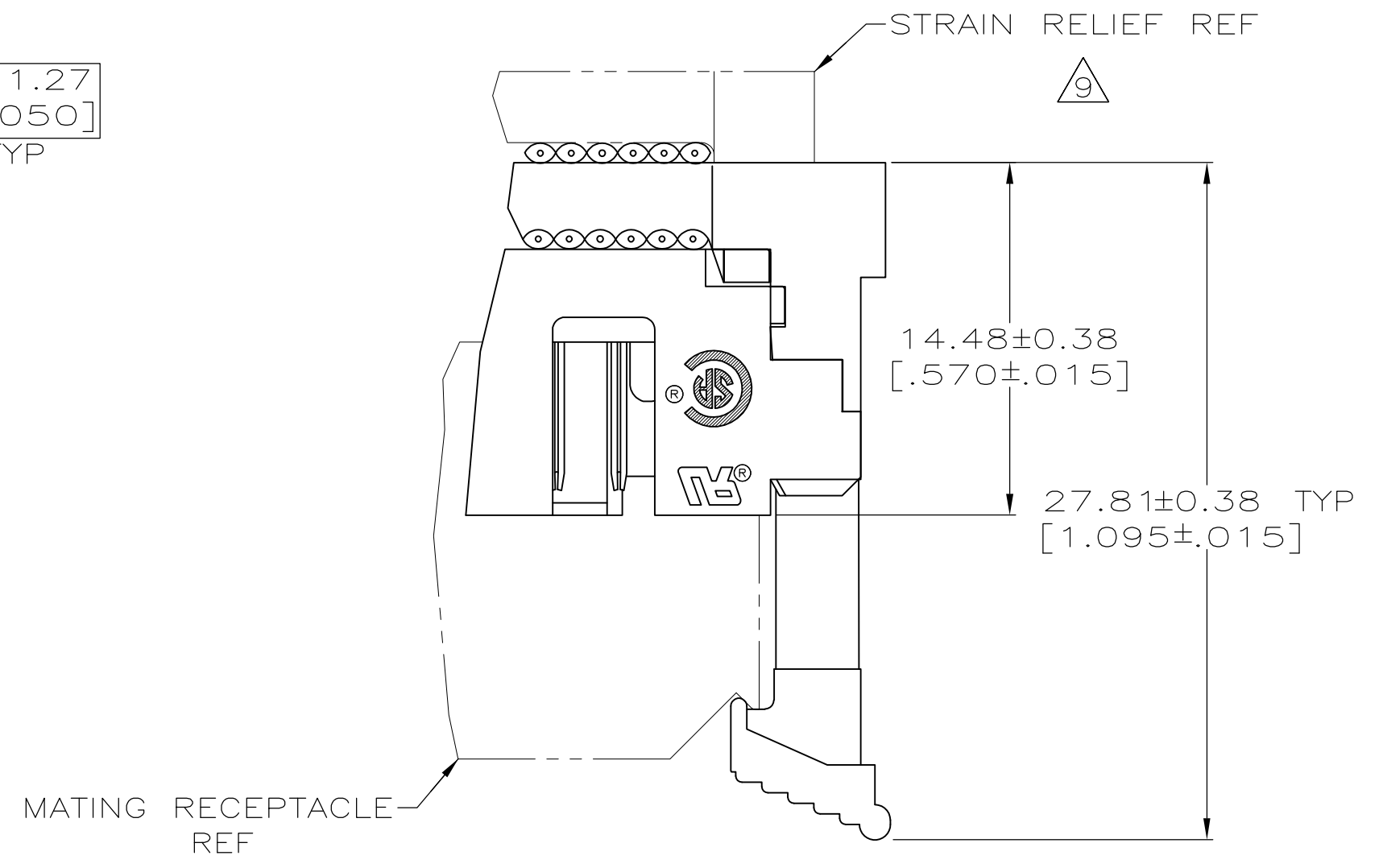


COVER AND LATCH NOT SHOWN IN THIS VIEW FOR CLARITY



TERMINATED ASSEMBLY (ASSEMBLED BY CUSTOMER)

- 1 FLAME RETARDANT 94V-0 RATED THERMOPLASTIC; BLACK.
- 2 2.54µm [.000100] MIN BRIGHT TIN-LEAD ON TERMINATION END, 0.76µm [.000030] MIN GOLD ON CONTACT AREA, ALL OVER 1.27µm [.000050] MIN NICKEL.  
-OR-  
GOLD FLASH OVER PALLADIUM-NICKEL 0.76µm [.000030] TOTAL ON CONTACT AREA, 2.54µm [.000100] MIN BRIGHT TIN-LEAD ON TERMINATION END, ALL OVER 1.27µm [.000050] MIN NICKEL.
- 3 NO SLOT ON THIS END FOR 10 POSITION HOUSINGS.
- 4 NO SLOT FOR SNAP-IN POLARIZER ON THIS END FOR 10 AND 14 POSITION HOUSINGS.
- 5. FOR MILITARY POLARIZATION, ORDER SNAP-IN POLARIZER 499991-2 (BULK PACK OF 50).
- 6 POSITION NO 1 INDICATOR.
- 7 COORDINATE DIMENSION APPLIES FROM CENTER OF ACTUAL FEATURE.
- 8 PHOSPHOR BRONZE PER QQ-B-750.
- 9 STRAIN RELIEF 111547 MUST BE ORDERED SEPARATELY.
- 10 2.54µm [.000100] MIN MATTE TIN ON TERMINATION END, 0.76µm [.000030] MIN GOLD ON CONTACT AREA, ALL OVER 1.27µm [.000050] MIN NICKEL.  
-OR-  
GOLD FLASH OVER PALLADIUM-NICKEL 0.76µm [.000030] TOTAL ON CONTACT AREA, 2.54µm [.000100] MIN MATTE TIN ON TERMINATION END, ALL OVER 1.27µm [.000050] MIN NICKEL.
- 11 OBSOLETE.
- 12 OBSOLETE PARTS: OBSOLETE CIS STREAMLINING PER D.RENAUD/D.SINISI.

CONTACT FINISH	E	D	C	B	A	NO OF POSN	PART NUMBER	
10	95.81 [3.772]	86.21 [3.394]	39.37 [1.550]	31	63	64	2-111504-6	
11	89.59 [3.527]	81.13 [3.194]	36.83 [1.450]	29	59	60	2-111504-5	
11	78.03 [3.072]	68.43 [2.694]	30.48 [1.200]	24	49	50	2-111504-4	
10	70.41 [2.772]	60.81 [2.394]	26.67 [1.050]	21	43	44	2-111504-3	
SUPERSEDED BY 2-111506-4	65.33 [2.572]	55.73 [2.194]	24.13 [0.950]	19	39	40	2-111504-2	
11	57.71 [2.272]	48.11 [1.894]	20.32 [0.800]	16	33	34	2-111504-1	
10	52.63 [2.072]	43.03 [1.694]	17.78 [0.700]	14	29	30	2-111504-0	
11	47.55 [1.872]	37.95 [1.494]	15.24 [0.600]	12	25	26	1-111504-9	
10	45.01 [1.772]	35.41 [1.394]	13.97 [0.550]	11	23	24	1-111504-8	
10	39.93 [1.572]	30.33 [1.194]	11.43 [0.450]	9	19	20	1-111504-7	
10	34.85 [1.372]	25.25 [0.994]	8.89 [0.350]	7	15	16	1-111504-6	
10	32.31 [1.272]	22.71 [0.894]	7.62 [0.300]	6	13	14	1-111504-5	
10	27.23 [1.072]	17.63 [0.694]	5.08 [0.200]	4	9	10	1-111504-4	
12	SUPERSEDED BY 2-111504-6	95.81 [3.772]	86.21 [3.394]	39.37 [1.550]	31	63	64	1-111504-3
11	89.59 [3.527]	81.13 [3.194]	36.83 [1.450]	29	59	60	1-111504-2	
11	78.03 [3.072]	68.43 [2.694]	30.48 [1.200]	24	49	50	1-111504-1	
12	SUPERSEDED BY 2-111504-3	70.41 [2.772]	60.81 [2.394]	26.67 [1.050]	21	43	44	1-111504-0
SUPERSEDED BY 2-111506-4	65.33 [2.572]	55.73 [2.194]	24.13 [0.950]	19	39	40	111504-9	
11	57.71 [2.272]	48.11 [1.894]	20.32 [0.800]	16	33	34	111504-8	
12	SUPERSEDED BY 2-111504-0	52.63 [2.072]	43.03 [1.694]	17.78 [0.700]	14	29	30	111504-7
11	47.55 [1.872]	37.95 [1.494]	15.24 [0.600]	12	25	26	111504-6	
12	SUPERSEDED BY 1-111504-8	45.01 [1.772]	35.41 [1.394]	13.97 [0.550]	11	23	24	111504-5
SUPERSEDED BY 1-111504-7	39.93 [1.572]	30.33 [1.194]	11.43 [0.450]	9	19	20	111504-4	
SUPERSEDED BY 1-111504-6	34.85 [1.372]	25.25 [0.994]	8.89 [0.350]	7	15	16	111504-3	
SUPERSEDED BY 1-111504-5	32.31 [1.272]	22.71 [0.894]	7.62 [0.300]	6	13	14	111504-2	
2	27.23 [1.072]	17.63 [0.694]	5.08 [0.200]	4	9	10	111504-1	

THIS DRAWING IS A CONTROLLED DOCUMENT.

DIMENSIONS: mm [INCHES]	TOLERANCES UNLESS OTHERWISE SPECIFIED:	DIN C. OBERMAN 8-10-90	TE Connectivity
0 PLC ± -	1 PLC ± -	11-28-90	UNIVERSAL I/O PIN CONNECTOR, WITHOUT MOUNTING EARS, WITH STRAIN RELIEF LATCHES, AMP-LATCH
2 PLC ± 0.13[005]	3 PLC ± -	APVD F. M. HEINRY	108-1336
4 PLC ± -	ANGLES ± -	NAME	114-7011
MATERIAL 1	FINISH SEE TABLE	WEIGHT	SIZE A1
		CUSTOMER DRAWING	00779 111504
		SCALE 4:1	SHEET 1 of 1

# Mouser Electronics

Authorized Distributor

Click to View Pricing, Inventory, Delivery & Lifecycle Information:

[TE Connectivity:](#)

[1-111504-5](#)