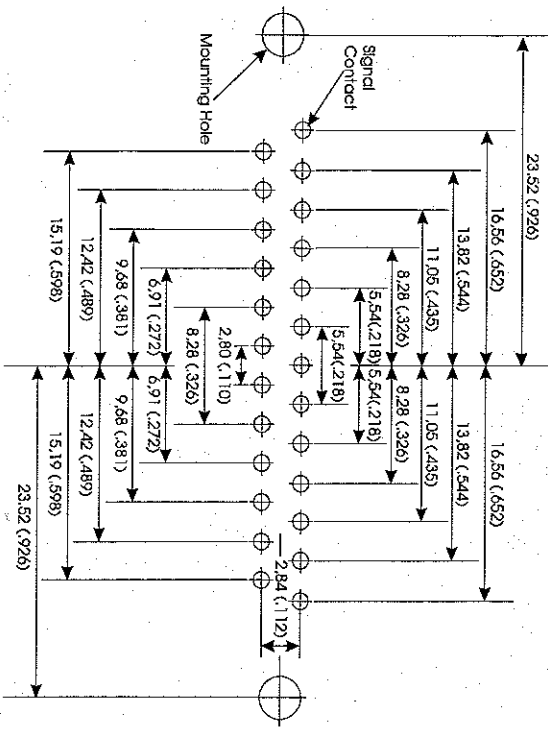


A ± 0.38 (.015)	B ± 0.13 (.005)	C ± 0.13 (.005)	D ± 0.13 (.005)	E ± 0.38 (.015)	L ± 0.1 (.004)	W ± 0.25 (.012)
53.04 (2.088)	38.38 (1.511)	47.04 (1.852)	7.90 (.311)	12.55 (.494)	0.9 (.035)	7.2 (.283)

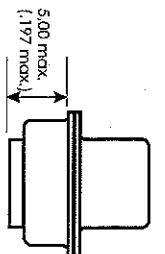


PCB mounting hole Ø (Z)	PCB Signal cont Ø (ZS)
3.05 (.120) ± 0.05 (.002)	1.05 (.041) ± 0.05 (.002)

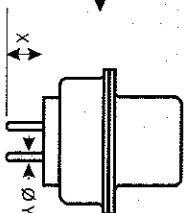
NOTE: DO NOT MAKE ASSUMPTIONS REGARDING HOLE LOCATIONS, CHECK EACH DIMENSION

No mounting hardware selected with 3.05 (.120) mounting hole

Signal contacts not shown for clarity



Straight signal contacts



Signal contact diameter	Y ± 0.04 (.002)	Signal contact length from back of insulator	X ± 0.3 (.012)
	0.64 (.025)		5.26 (.207)

DESCRIPTION	MATERIAL	FINISH
Insulator	Polyester	None (Color Dark Green)
Shells	Steel	Tin
Signal Contacts	Copper alloy	30 µ In Gold over Ni in mating area. Tin on balance
Unless otherwise specified, dimensions are in mm & (in.) Tolerances are (.XXX = mm) Angles Decimals X ± 0.20 (.008) X* ± 1.0° XX ± 0.10 (.004) XXX ± 0.05 (.002)		
Issue Date:	04-Sep-08	Cannon ITT Industries
CONNECTOR, RECEPTACLE, ELECTRICAL		
D-SUBMINIATURE 25 POSITION STRAIGHT PCB		
PART NO.	DB25SOL2A191A197	