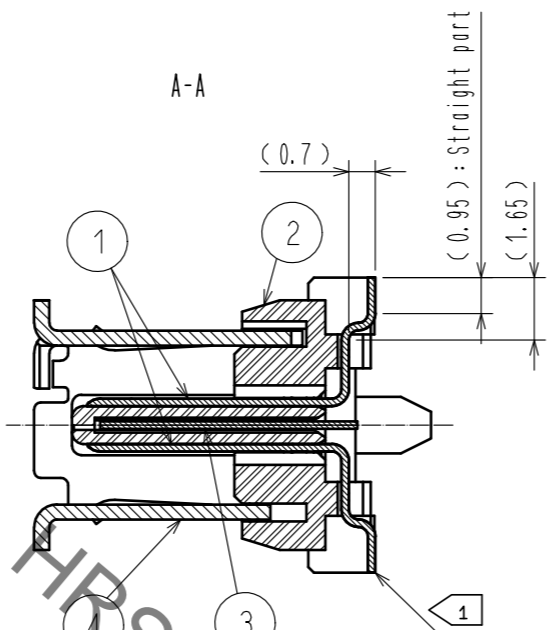
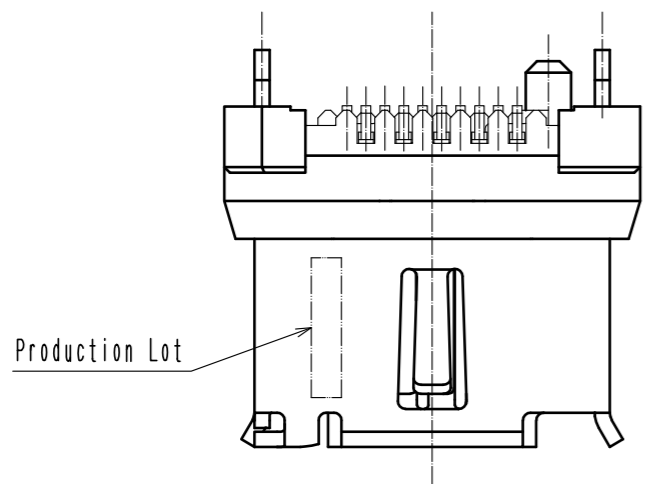
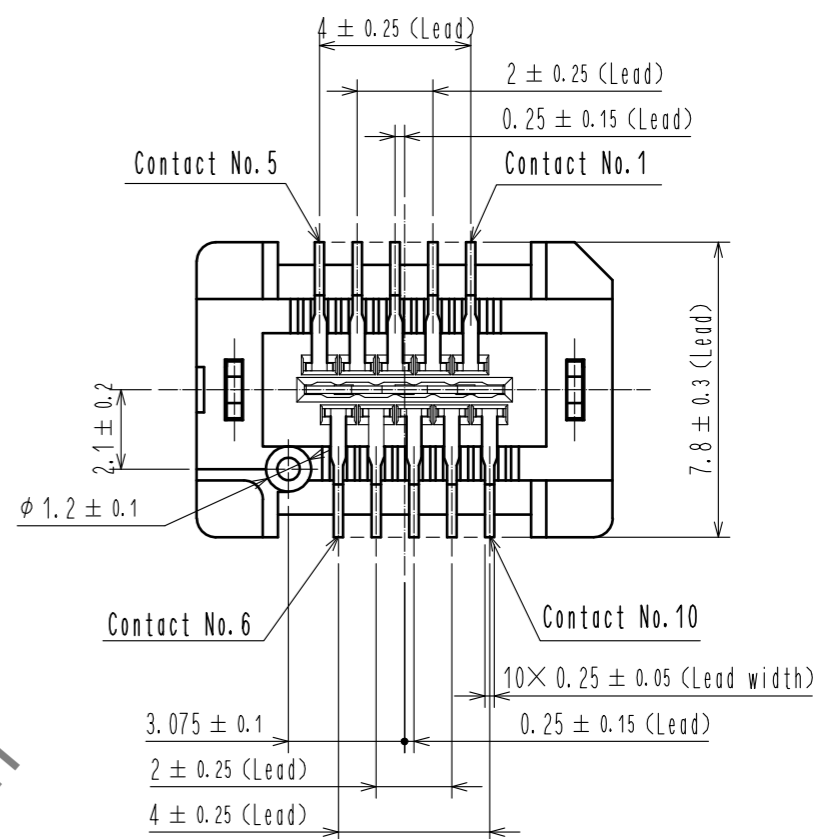
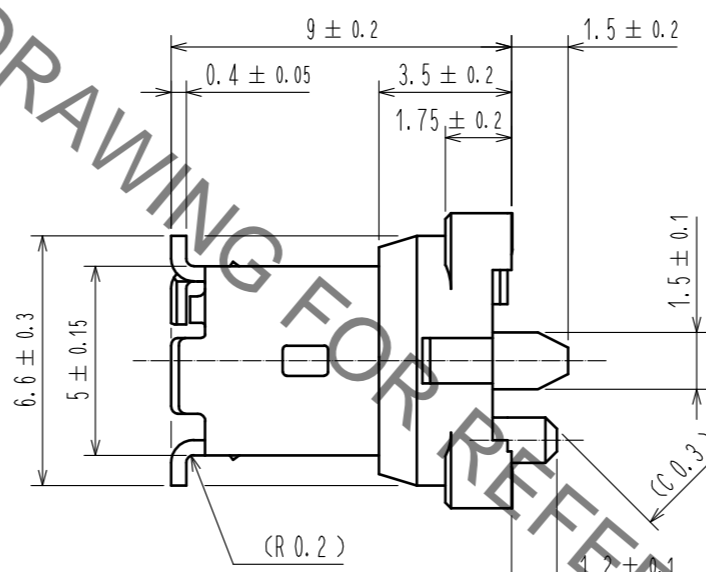
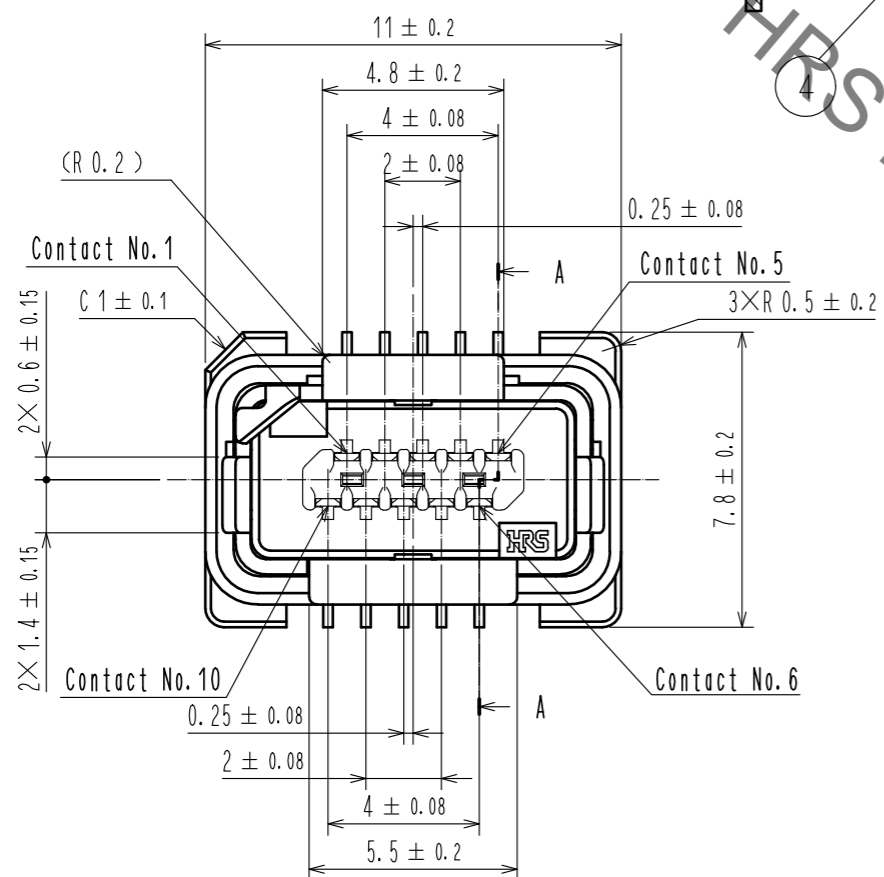


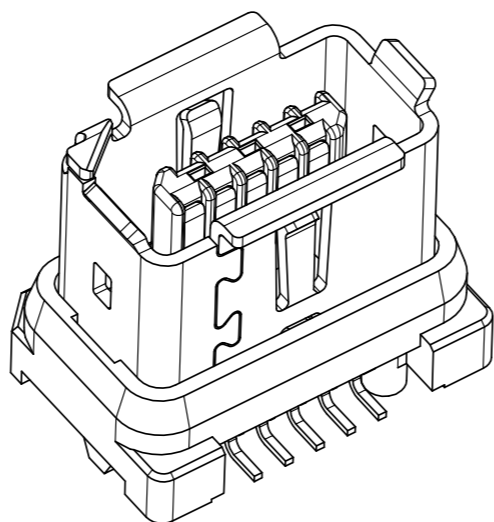
May.1.2021 Copyright 2021 HIROSE ELECTRIC CO., LTD. All Rights Reserved.
In case of consideration for using Automotive equipment / device which demand high reliability, kindly contact our sales window correspondents.



- Notes.
- 1 Co-planarity is within 0.1 mm.
 - 2 As for part No.4 the performance remains good though there might be a difference in the plating luster between each plating lots.
 - 3 Per reel : 450 pcs.
The vacuum cap (part No.5) is attached to this product at delivery.
 - 4 Refer to the mated condition diagram for the panel thickness and layout.
 - 5 This product is mounted by reflow soldering.
Refer to specification sheet ELC-129412-00-00 for reflow soldering.

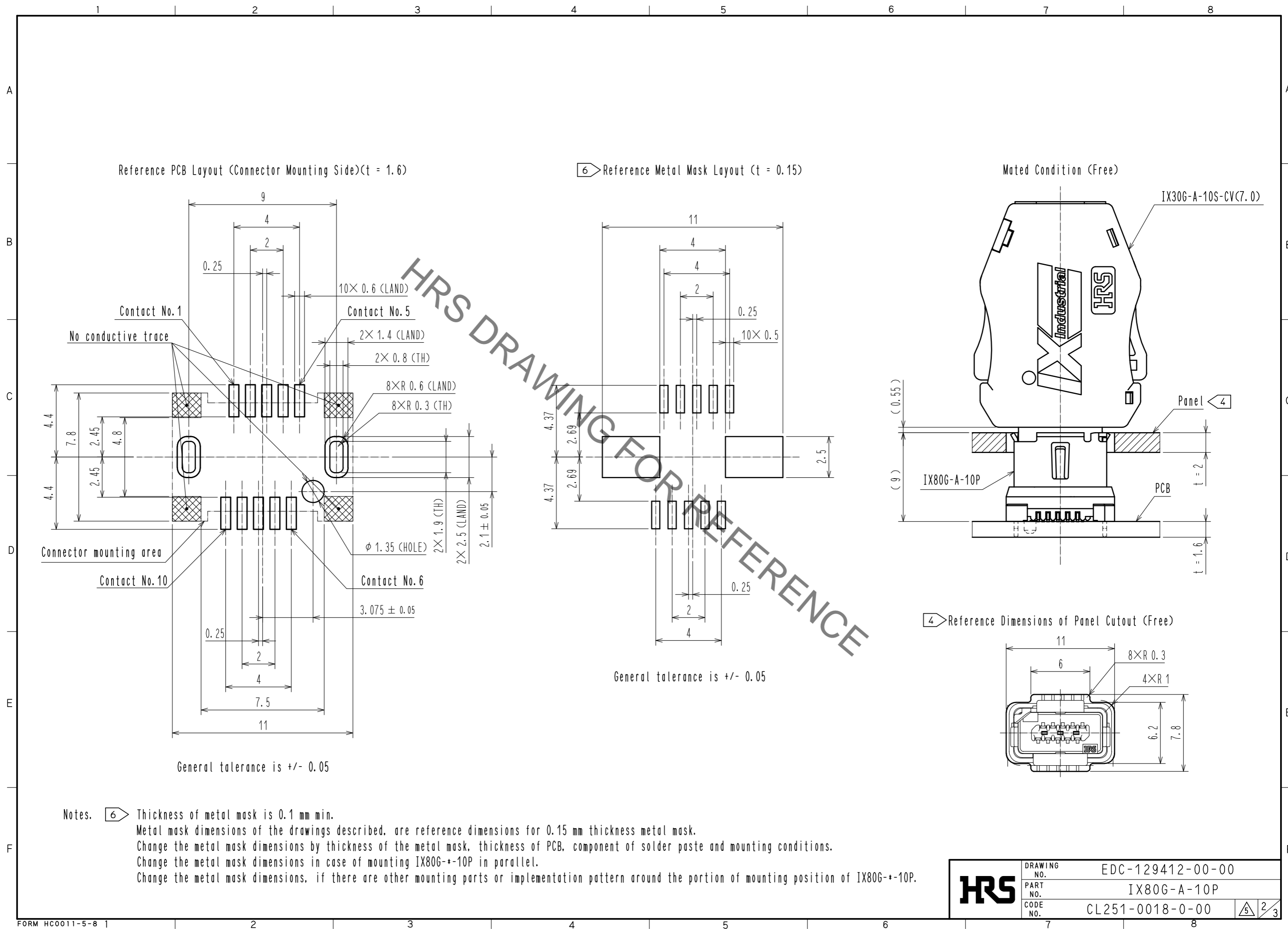


3D image



3	Stainless Steel		7	PE	
2	Polyamide	Gray - UL94V-0	6	PS	
1	Copper Alloy	Contact area : Gold 0.2 μm min. Lead area : Gold 0.03 μm min. Under plating : Nickel 2 μm min.	5	Polyamide	Black - UL94V-0
			4	Stainless Steel	Surface : Tin 1 μm min. Under plating : Nickel 0.2 μm min.
NO.	MATERIAL	FINISH . REMARKS	NO.	MATERIAL	FINISH . REMARKS
UNITS mm		SCALE 5 : 1	COUNT 1	DESCRIPTION OF REVISIONS DIS-E-00003236	
DESIGNED TS. ITO		CHECKED KI. KAGOTANI		DATE 20200904	
APPROVED : RI. TAKAYASU 20171013		DRAWING NO. EDC-129412-00-00			
CHECKED : KI. NAGANUMA 20171013		PART NO. IX80G-A-10P			
DESIGNED : YS. SAKODA 20171013		CODE NO. CL251-0018-0-00			
DRAWN : YS. SAKODA 20171013				1/3	

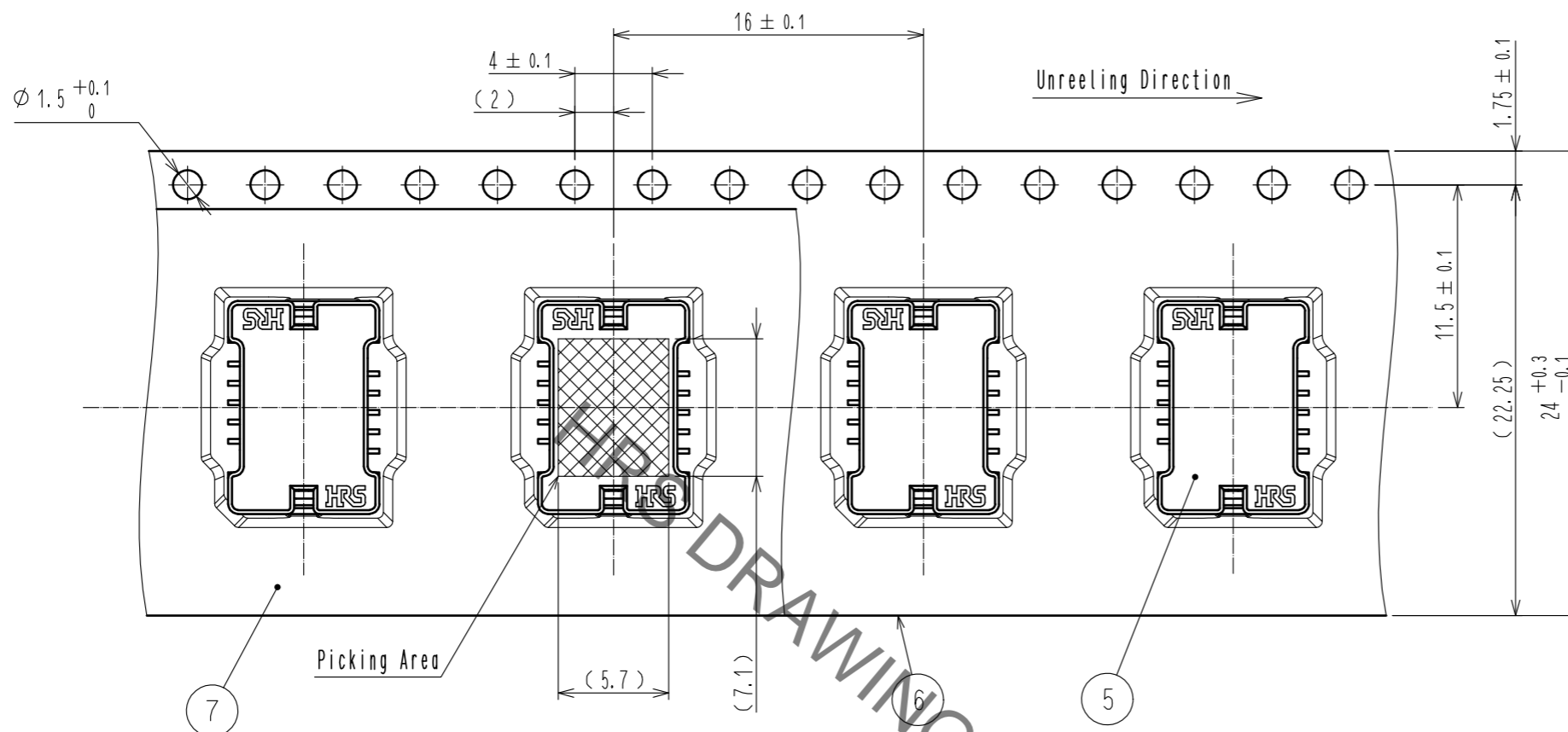
May.1.2021 Copyright 2021 HIROSE ELECTRIC CO., LTD. All Rights Reserved.
 In case of consideration for using Automotive equipment / device which demand high reliability, kindly contact our sales window correspondents.



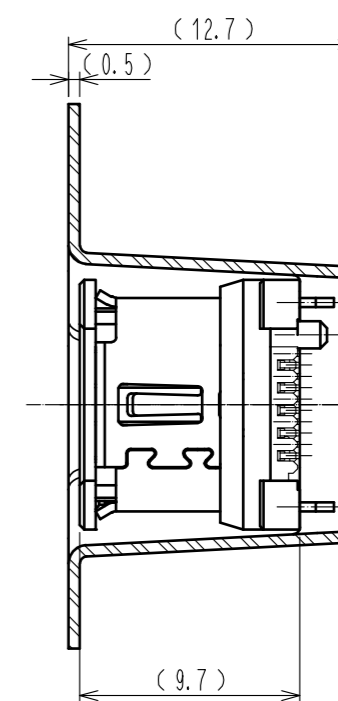
HRS	DRAWING NO.	EDC-129412-00-00	5 2 / 3
	PART NO.	IX80G-A-10P	
	CODE NO.	CL251-0018-0-00	

May.1.2021 Copyright 2021 HIROSE ELECTRIC CO., LTD. All Rights Reserved.
 In case of consideration for using Automotive equipment / device which demand high reliability, kindly contact our sales window correspondents.

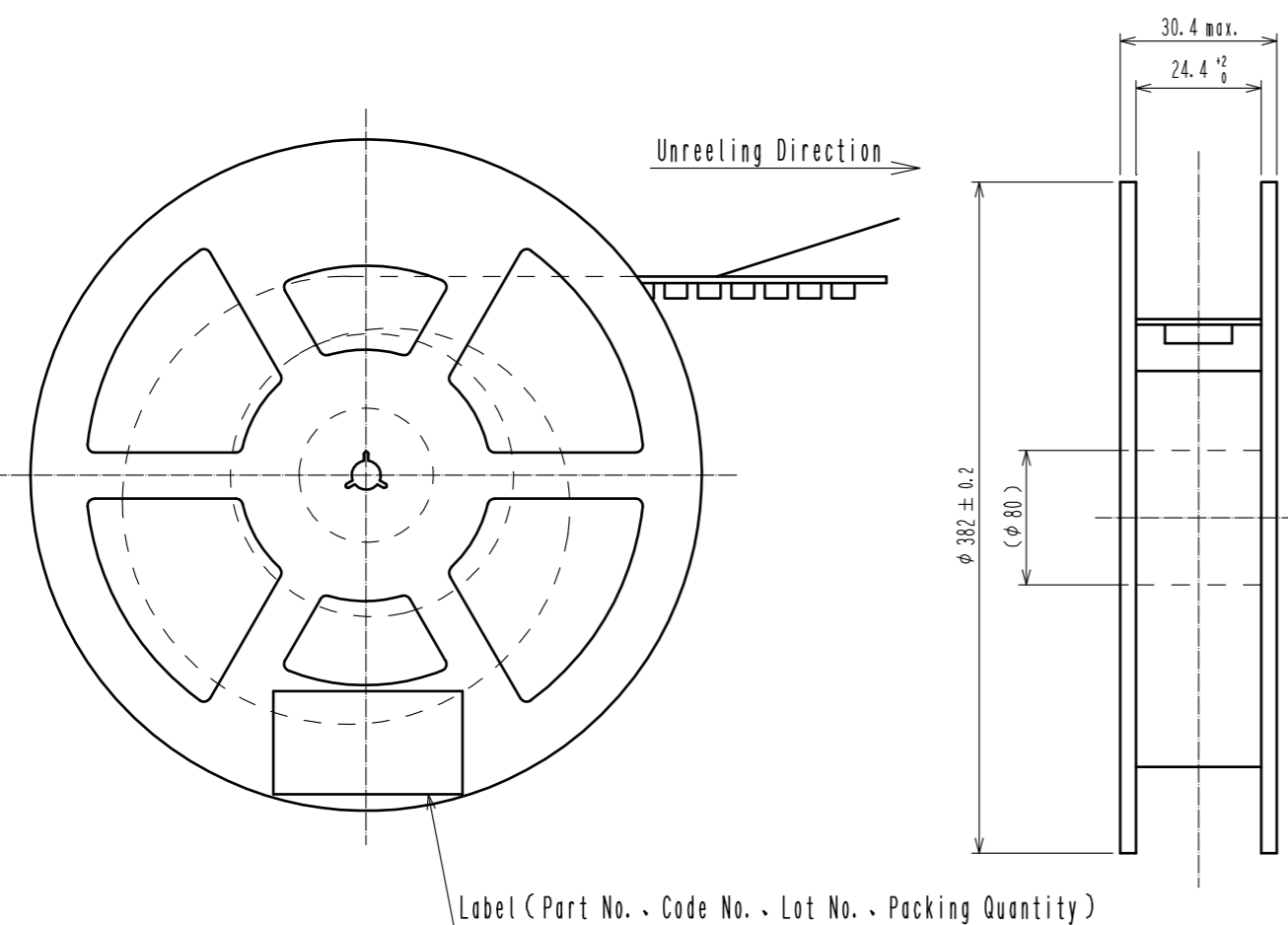
3 Drawing for packing (Free)



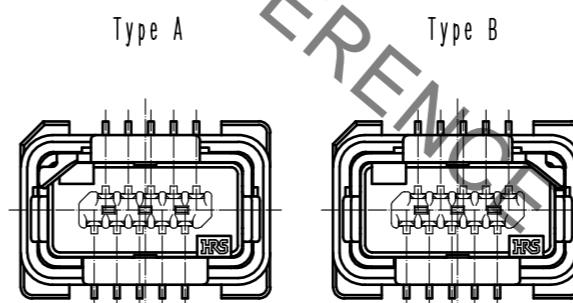
(Added side view)



Notes. 7. This product (Type A) is defined for 10/100 Mbit/s and 1/10 Gbit/s Ethernet communication. Please use Type B for all other non Ethernet applications like signaling, serial or other industrial bus communication systems.



Mating Shape



Pin Assignment For 10/100 Mbit/s And 1/10 Gbit/s Ethernet

Contact No.	Signal	
	10/100 Mbit/s	1/10 Gbit/s
1	TX+	BI_DA+
2	TX-	BI_DA-
3	N.C	GND
4	N.C	BI_DC+
5	N.C	BI_DC-
6	RX+	BI_DB+
7	RX-	BI_DB-
8	N.C	GND
9	N.C	BI_DD+
10	N.C	BI_DD-

HRS

DRAWING NO. EDC-129412-00-00
 PART NO. IX80G-A-10P
 CODE NO. CL251-0018-0-00

3/3

Mouser Electronics

Authorized Distributor

Click to View Pricing, Inventory, Delivery & Lifecycle Information:

[Hirose Electric:](#)

[IX80G-A-10P](#)