



Feature -

- High Bright LED illumination
- Long life
- Good Actuation Feeling

Applications -

- Communication Equipments ,
- Instrumentation

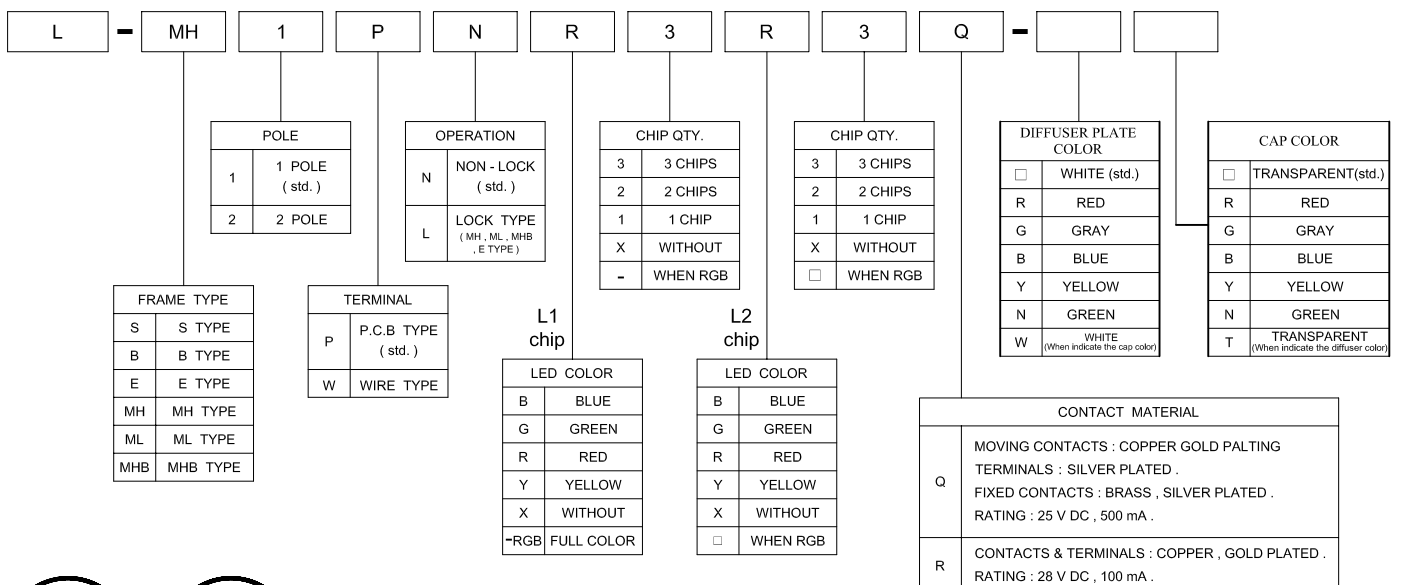
► SPECIFICATIONS

| SWITCH SPECIFICATIONS | |
|-----------------------------|--|
| POLE - POSITION | ON - < ON > for Momentary Type , ON - ON for Self - Lock Type SPDT , DPDT |
| CONTACT RATING | SEE CONTACT MATERIAL |
| CONTACT RESISTANCE | 50 mΩ max. (SILVER CONTACT) ; 100 mΩ max. (GOLD PLATING CONTACT) , 1.5 V DC ; 100 mA , by Method of Voltage DROP |
| INSULATION RESISTANCE | 100 MΩ min. 500 V DC |
| DIELECTRIC STRENGTH | Breakdown is not Allowable ; 1000 V AC for 1 Minute |
| OPERATING FORCE | 200 ± 100 gf (SPDT) 300 ± 150 gf (DPDT) |
| OPERATING LIFE | 200,000 cycles (SILVER CONTACT) 200,000 cycles (GOLD PLATING CONTACT) |
| OPERATING TEMPERATURE RANGE | -20°C ~ 70°C |
| TOTAL TRAVEL | 2.2 ± 0.2 mm |

| LED SPECIFICATIONS | | | | | |
|-------------------------|---|------|-------------------|---------|---------|
| | ATTENTION LEDs are Electrostatic Sensitive devices | Unit | Value / LED Color | | |
| | | | Green | Red | |
| FORWARD CURRENT | (+) ○ ⊗ ○ (-) | If | mA | 30 | 15 |
| REVERSE VOLTAGE | | Vr | V | 5.0 | 5.0 |
| REVERSE CURRENT | | Ir | μA | 10 | 10 |
| FORWARD VOLTAGE@20mA | | Vf | V | 1.7-2.6 | 1.7-2.6 |
| LUMINOUS INTENSITY@20mA | | Iv | mcd | 6 | 4 |

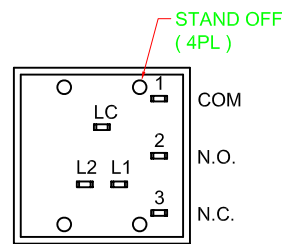
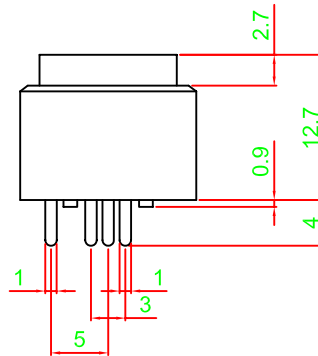
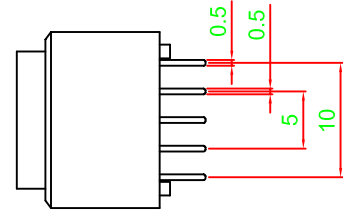
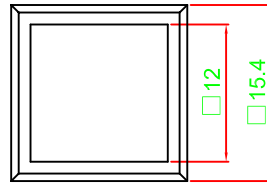
■ Physical and electrical information of LED will be provided upon customer's request on switches .

► HOW TO ORDER



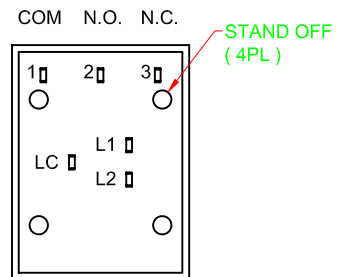
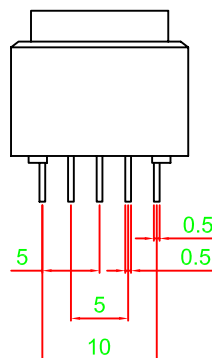
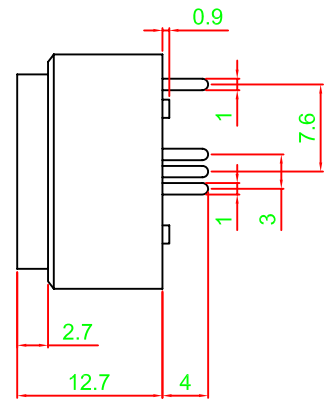
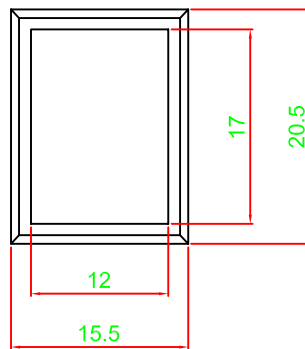
► DIMENSION & FRAME TYPE

L - S1PN□□Q



BOTTOM VIEW

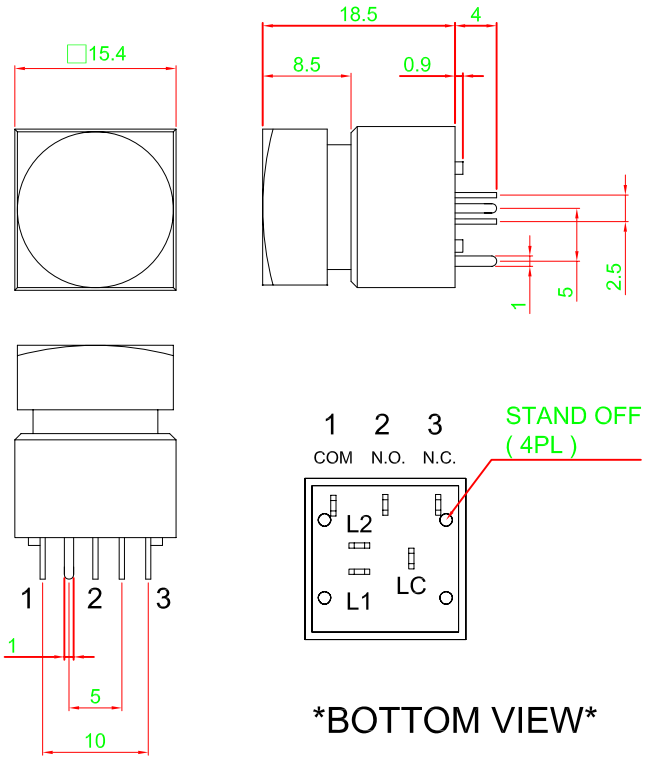
L - B1PN□□Q



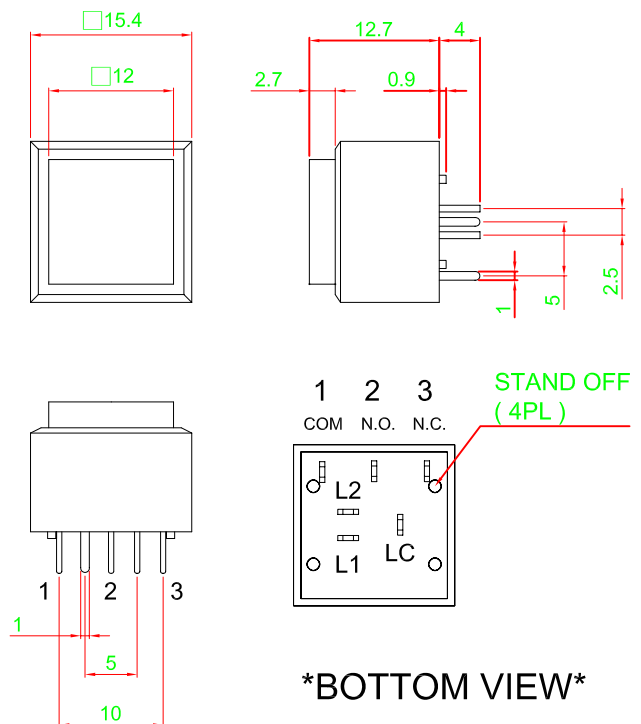
BOTTOM VIEW

► DIMENSION & FRAME TYPE

L - MH1PN□□Q



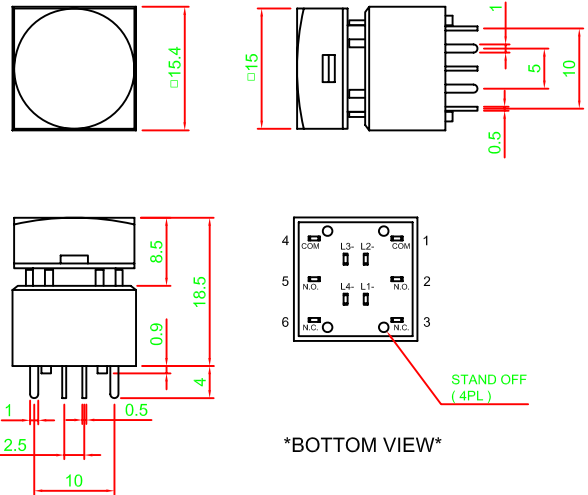
L - ML1PN□□Q



▶ DIMENSION & FRAME TYPE

L - MH1PN-RGB-Q

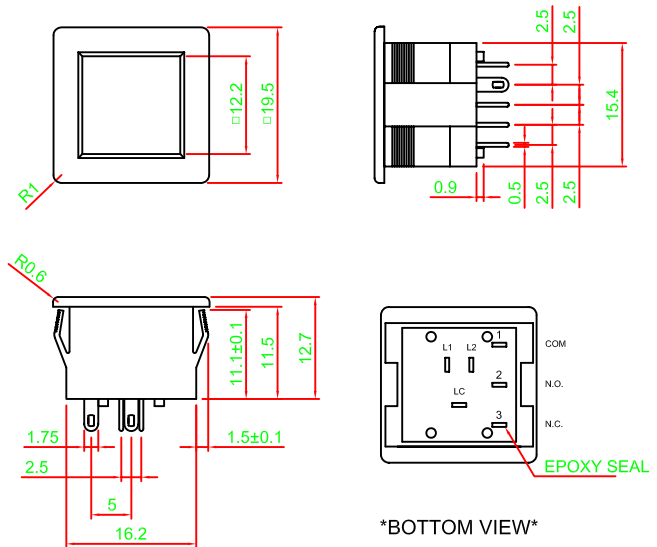
▶ PANEL CUT OUT



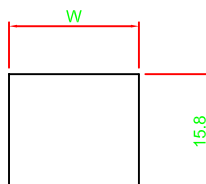
BOTTOM VIEW

L - E1WN□□Q

▶ PANEL CUT OUT



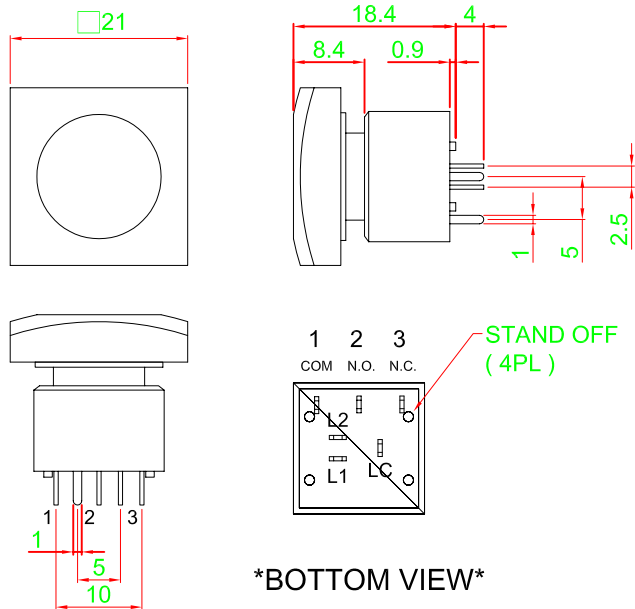
BOTTOM VIEW



| PANEL THICK | W |
|-------------|-------------|
| 0.75 ~ 1.25 | 17.6 ~ 17.8 |
| 1.25 ~ 2.0 | 17.8 ~ 18.0 |
| 2.0 ~ 3.0 | 18.0 ~ 18.2 |

DIMENSION & FRAME TYPE

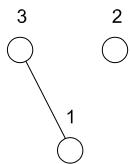
L - MHB1PN□□Q



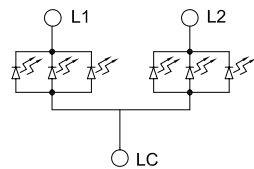
SCHEMATIC

SWITCH

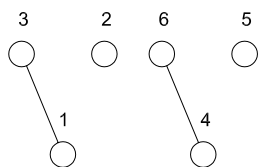
1P2T



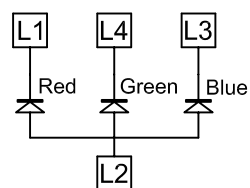
LED



2P2T

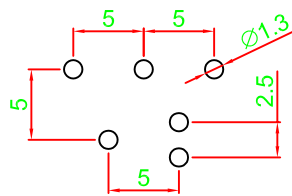


RGB

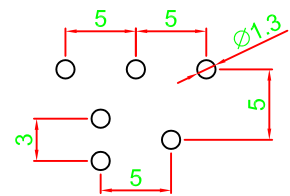


P.C.B LAYOUT

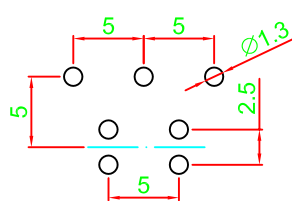
MH.ML.MHB TYPE



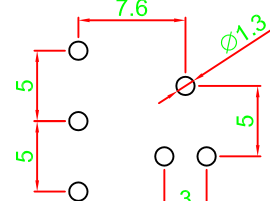
S TYPE



RGB TYPE



B TYPE



MATERIAL

- COVER - PC
- ACTUATOR - POM
- BASE FRAME - PA + GF
- TERMINAL - Q : BRASS SILVER PLATING ;
R : BRASS GOLD PLATED

UNIT WEIGHT

- L - S1PN□□Q : 2.5 ± 0.05 g / pcs
- L - B1PN□□Q : 3.0 ± 0.05 g / pcs
- L - MH1PN□□Q : 3.4 ± 0.05 g / pcs
- L - ML1PN□□Q : 2.5 ± 0.05 g / pcs
- L - MHB1PN□□Q : 4.0 ± 0.05 g / pcs

