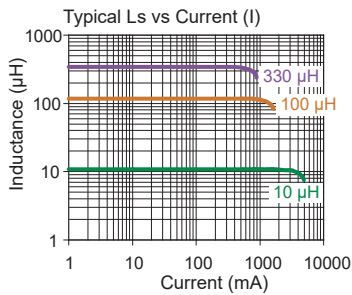
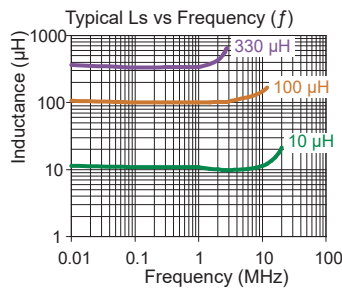
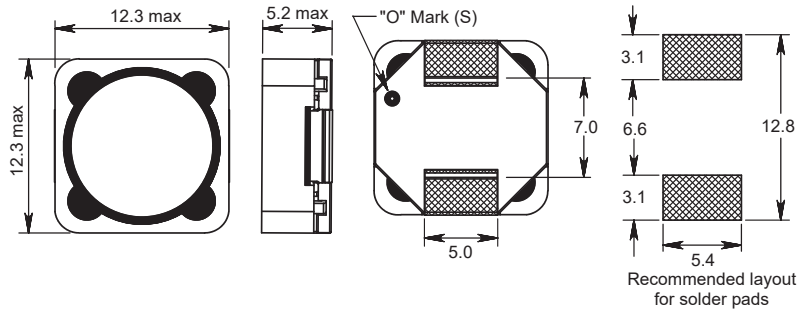
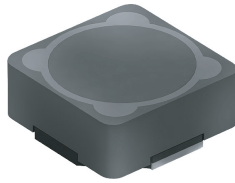


PISA 4716



Magnetically Shielded

Engineer's Kit: EK-PISA4716-X



Part No	Inductance	f_L	Tol	DCR	Rated DC
	L (μH)				
PISA4716-3R3M-04	3.3	100	20	15	7.0
PISA4716-3R9M-04	3.9	100	20	15	6.5
PISA4716-4R7M-04	4.7	100	20	18	5.7
PISA4716-5R6M-04	5.6	100	20	30	5.7
PISA4716-6R8M-04	6.8	100	20	23	4.9
PISA4716-8R2M-04	8.2	100	20	26	4.6
PISA4716-100M-04	10	100	20	28	4.5
PISA4716-120M-04	12	100	20	38	4.0
PISA4716-150M-04	15	100	20	50	3.2
PISA4716-180M-04	18	100	20	57	3.1
PISA4716-220M-04	22	100	20	66	2.9
PISA4716-270M-04	27	100	20	80	2.8
PISA4716-330M-04	33	100	20	97	2.7
PISA4716-390M-04	39	100	20	132	2.1
PISA4716-470M-04	47	100	20	150	1.9
PISA4716-560M-04	56	100	20	190	1.8
PISA4716-680M-04	68	100	20	220	1.5
PISA4716-820M-04	82	100	20	260	1.3
PISA4716-101M-04	100	100	20	308	1.2
PISA4716-121M-04	120	100	20	380	1.1
PISA4716-151M-04	150	100	20	530	0.95
PISA4716-181M-04	180	100	20	620	0.85
PISA4716-221M-04	220	100	20	700	0.8
PISA4716-271M-04	270	100	20	876	0.6
PISA4716-331M-04	330	100	20	990	0.5

Core Material: Ferrite

Revision date: 29 Nov 2023

Base Material: Plastic

SPQ: Taped / Reel 500 [-04]

Remarks: - Additional gluing to PCB board is recommended.
- I - see description in Inductors Technical Data.