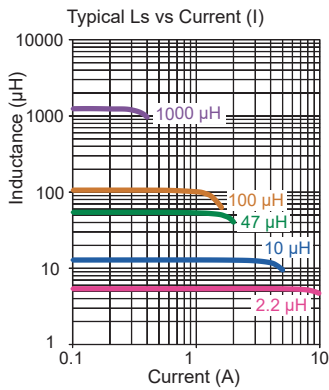
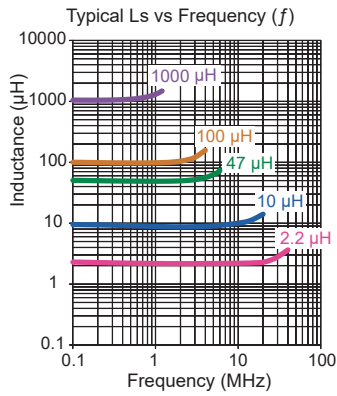
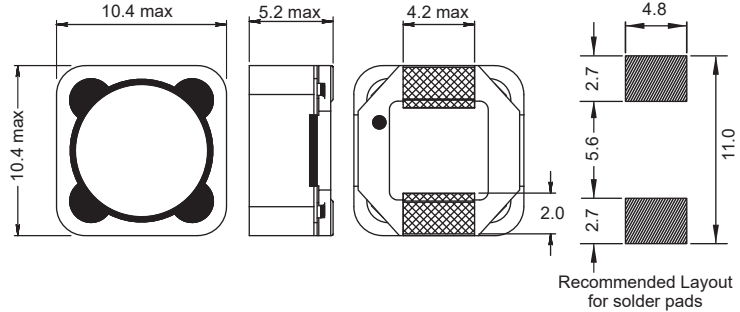
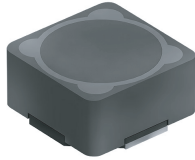


PISA 4119



Magnetically Shielded

Engineer's Kit: EK-PISA4119-X



Part No	Inductance L (µH)	f _L (kHz)	Tol ± (%)	DCR max (Ω)	Rated DC Current (A)	
					I _{sat}	I _R
PISA4119-1R0N-04	1	100 @ 0.1 V	30	0.007	10.0	8.80
PISA4119-1R5N-04	1.5	100 @ 0.1 V	30	0.010	8.50	7.52
PISA4119-2R2M-04	2.2	100 @ 0.1 V	20	0.010	7.20	7.20
PISA4119-4R7M-04	4.7	100 @ 0.1 V	20	0.016	4.87	5.50
PISA4119-6R8M-04	6.8	100 @ 0.1 V	20	0.022	3.87	4.85
PISA4119-100M-04	10	100 @ 0.1 V	20	0.034	3.23	4.20
PISA4119-150M-04	15	100 @ 0.1 V	20	0.040	2.60	3.20
PISA4119-220M-04	22	100 @ 0.1 V	20	0.067	2.10	2.80
PISA4119-330M-04	33	100 @ 0.1 V	20	0.100	1.70	2.35
PISA4119-470M-04	47	100 @ 0.1 V	20	0.142	1.36	1.65
PISA4119-680M-04	68	100 @ 0.1 V	20	0.180	1.18	1.60
PISA4119-101M-04	100	100 @ 0.1 V	20	0.275	0.96	1.30
PISA4119-121M-04	120	100 @ 0.1 V	20	0.340	0.84	1.06
PISA4119-151M-04	150	100 @ 0.1 V	20	0.450	0.74	1.00
PISA4119-221M-04	220	100 @ 0.1 V	20	0.583	0.66	0.80
PISA4119-331M-04	330	100 @ 0.1 V	20	0.820	0.56	0.70
PISA4119-471M-04	470	100 @ 0.1 V	20	1.370	0.45	0.55
PISA4119-681M-04	680	100 @ 0.1 V	20	1.900	0.37	0.50
PISA4119-102M-04	1000	100 @ 0.1 V	20	2.800	0.33	0.40

Core Material: Ferrite
Base Material: Plastic

Revision date: 29 Nov 2023

SPQ: Taped / Reel 600 [-04]

Remarks: - I_{sat} & I_R - see description in Inductors Technical Data.