

C-14X

Description:

Smoothing chokes are power supply filter chokes having a core with an air gap which prevents saturation at maximum current. Hipot to 1500 VRMS between winding and core for safety.

Electrical Specifications (@25C):

| Current DC M/A | Inductance †† Henries | Resistance Ohms |
|-------------------|--------------------------|--------------------|
| 200.0 | 6.0 | 150 |

†† = Inductance tolerance -20%, + 50 %

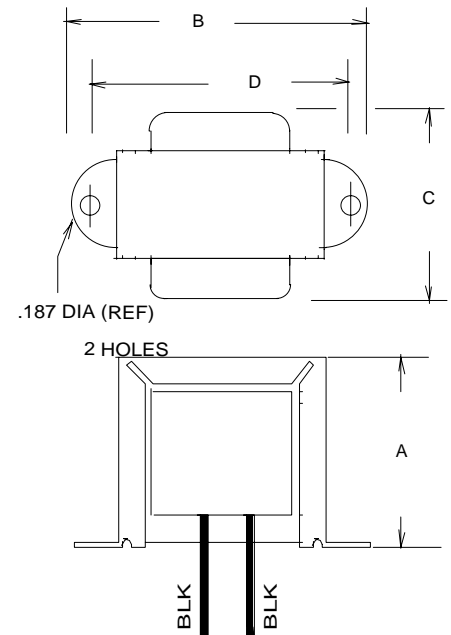
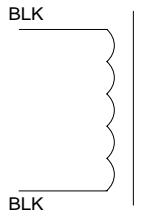
Dimensions:

Unit: In inches

| A | B | C | D |
|-------|------|-------|-------|
| 2.593 | 4.00 | 2.250 | 3.562 |

Weight: 2.30 lbs.

Schematic:



RoHS Compliance: As of manufacturing date February 2005, all standard products meet the requirements of 2011/65/EU, known as the RoHS initiative.

* Upon printing, this document is considered "uncontrolled". Please contact Triad Magnetics' website for the most current version

Mouser Electronics

Authorized Distributor

Click to View Pricing, Inventory, Delivery & Lifecycle Information:

[Triad Magnetics:](#)

[C-14X](#)