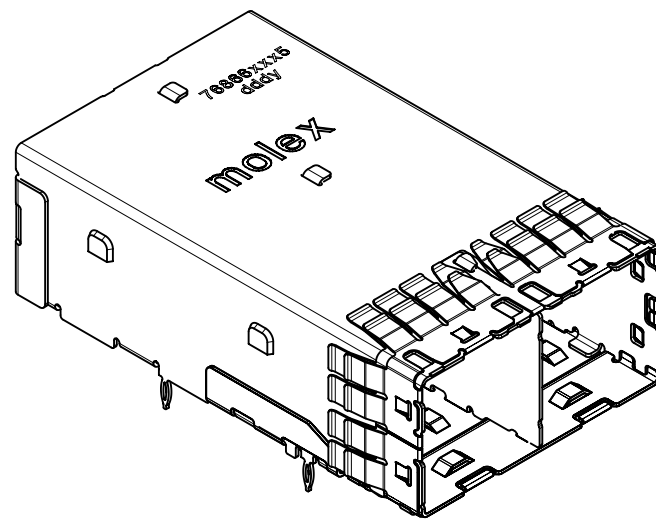
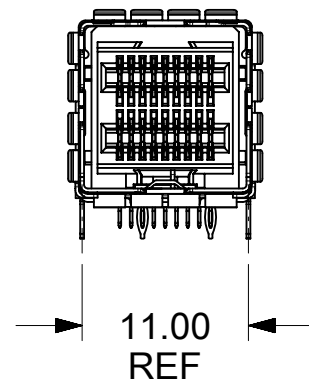
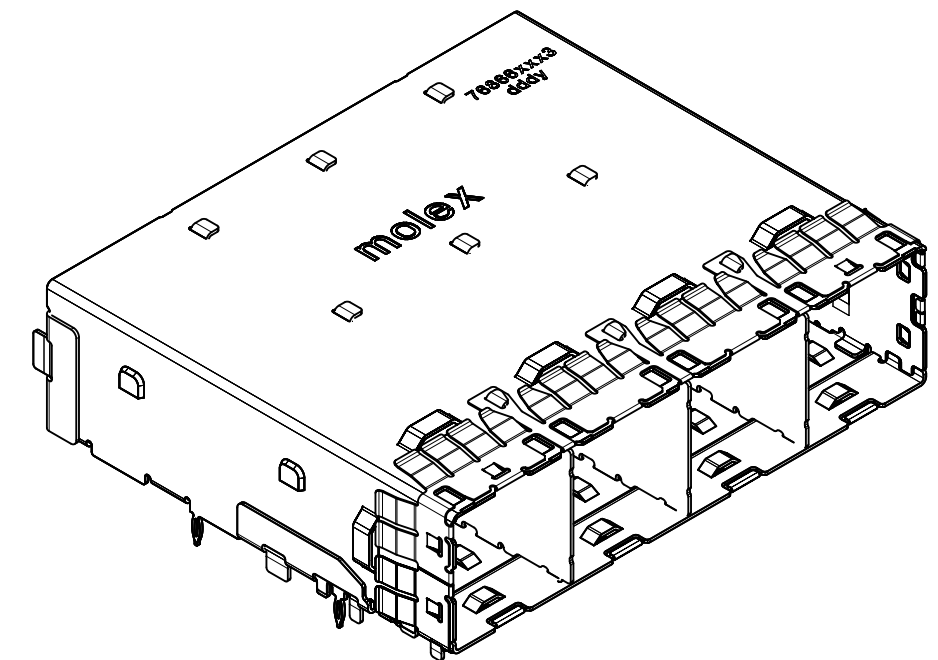
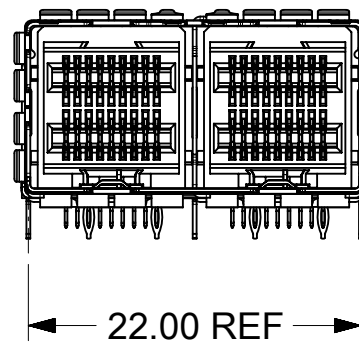


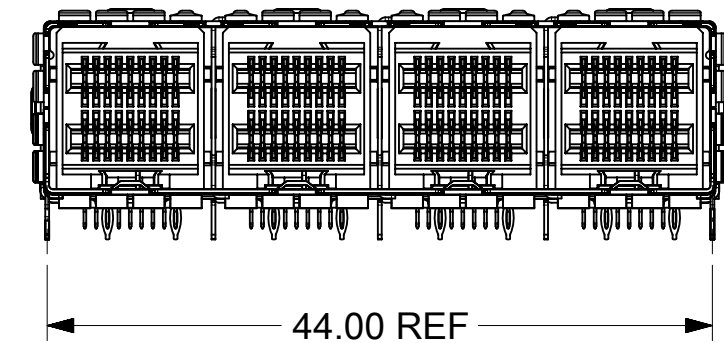
1x1



1x2



1x4



NOTES:

1. MATERIALS:
 CONNECTOR HOUSING: HIGH TEMPERATURE THERMOPLASTIC
 GLASS FILLED, UL 94V-0
 EMI CAGE: NICKEL SILVER ALLOY
 EMI CAGE BASE: STAINLESS STEEL
 EMI FINGERS: COPPER ALLOY
 TERMINALS: COPPER ALLOY
2. FINISHES:
 EMI FINGERS: 0.50µM MIN NICKEL
 CONTACT AREA: 0.76µM MIN GOLD OVER 3.81µM MIN NICKEL
 TAIL AREA: 0.76µM-1.52µM TIN OVER 1.27µM MIN NICKEL
3. PRODUCT SPECIFICATION: PS-76866-001
4. PACKAGING SPECIFICATION: PK-76866-001
5. MATES WITH: MOLEX CABLE SERIES 111068, 111073, 111074, & 111075
6. RECOMMENDED MOUNTING HARDWARE: REFER TO APPLICATION SPECIFICATION AS-76866-001
7. THIS PART CONFORMS TO CLASS C REQUIREMENTS OF MOLEX COSMETIC SPECIFICATION PS-45499-002
8. PLUG MODULE PCB LAYOUT REFER TO SD-76866-9900

CONFIGURATION	MATERIAL NO.
1 X 1	768661011
1 X 2	768661015
1 X 4	768661013

THIS DRAWING CONTAINS INFORMATION THAT IS PROPRIETARY TO MOLEX ELECTRONIC TECHNOLOGIES, LLC AND SHOULD NOT BE USED WITHOUT WRITTEN PERMISSION										
SYMBOLS	DIMENSION UNITS		SCALE		CURRENT REV DESC:					
	▽ = 0	MM	1:1	EC NO: 611291						
▽ = 0	GENERAL TOLERANCES (UNLESS SPECIFIED)			DRWN: GSHARMA		2019/01/04				
▽ = 0		MM	INCH	CHK'D: JKACHLIC		2019/07/18				
▽ = 0	4 PLACES	±	±	APPR: JKACHLIC		2019/07/18				
▽ = 0	3 PLACES	±	±	INITIAL REVISION:		DRWN: KLANG				
▽ = 0	2 PLACES	± 0.13	±	DRWN: KLANG		2011/09/29				
▽ = 0	1 PLACE	± 0.25	±	APPR: MBANAKIS		2013/08/01				
▽ = 0	0 PLACES	±	±	ANGULAR TOL ± 0.5 °		THIRD ANGLE PROJECTION		DRAWING SERIES		
▽ = 0	DRAFT WHERE APPLICABLE MUST REMAIN WITHIN DIMENSIONS			C-SIZE		76866		MATERIAL NUMBER CUSTOMER SHEET NUMBER		
DOCUMENT STATUS		P1	RELEASE DATE	2019/07/18	04:55:14	SD-76866-1000		PSD	001	B2
SEE CHART		GENERAL MARKET		1 OF 12						

molex

IPASS PLUS HD - 12G
EXTERNAL

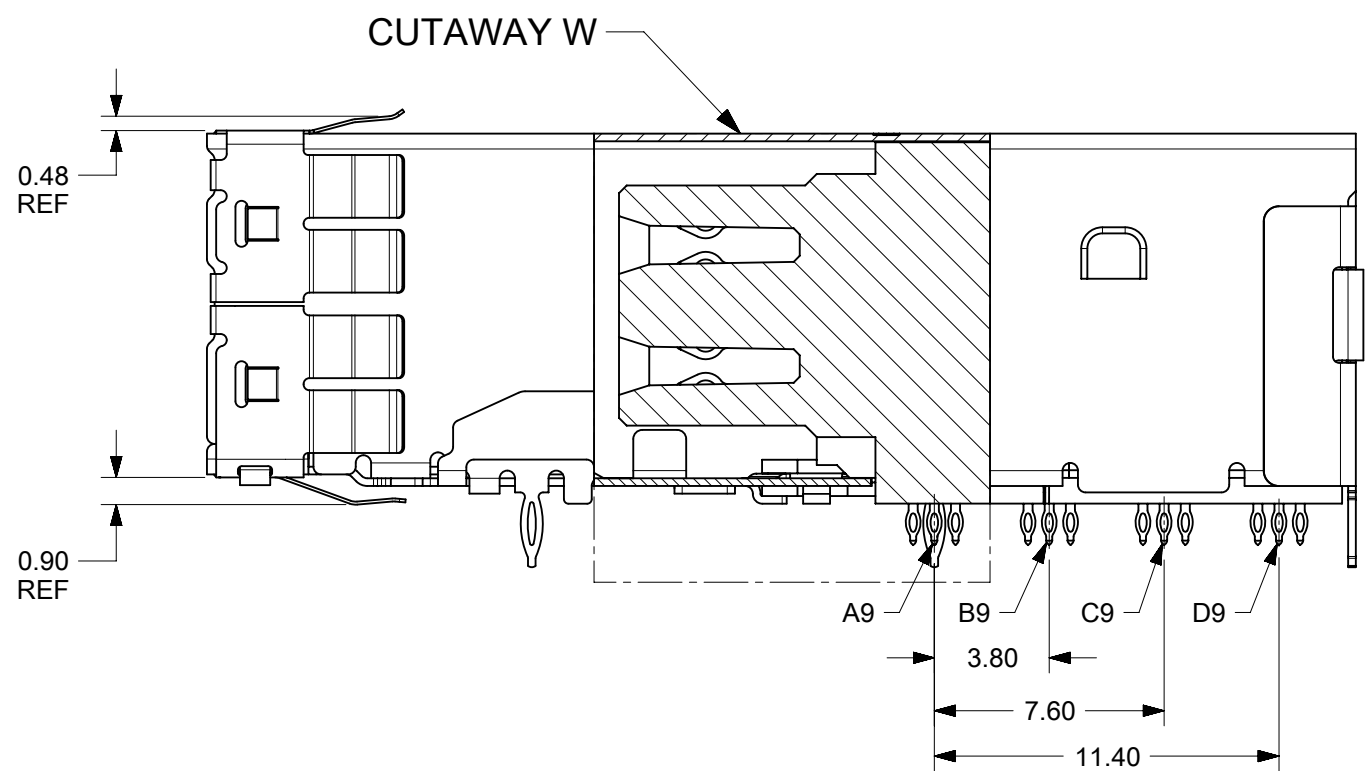
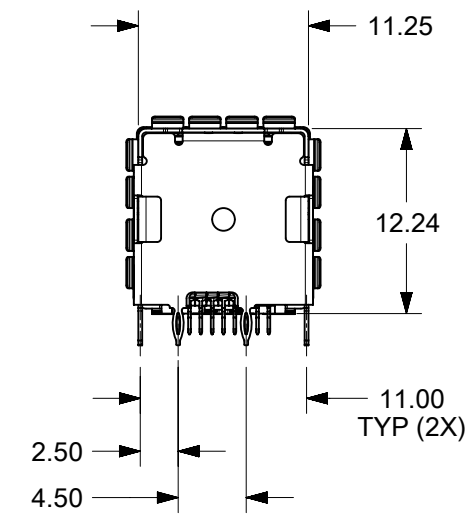
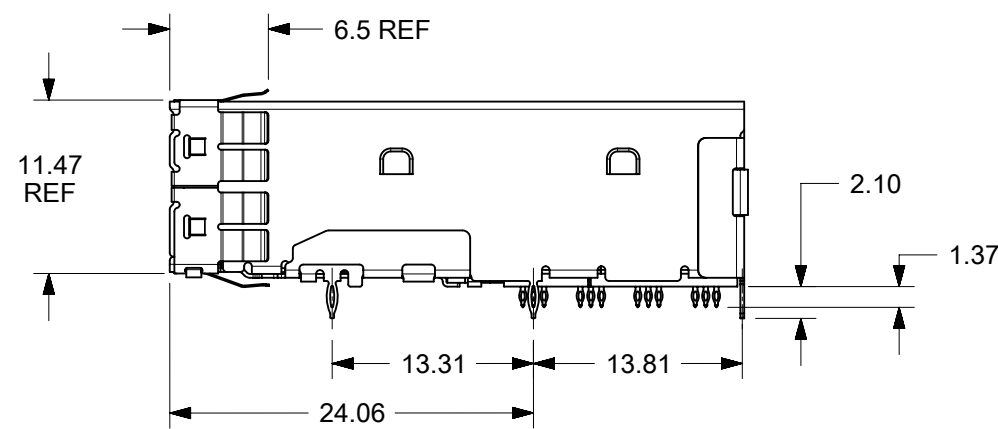
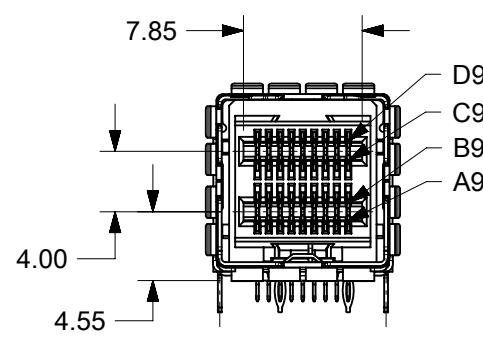
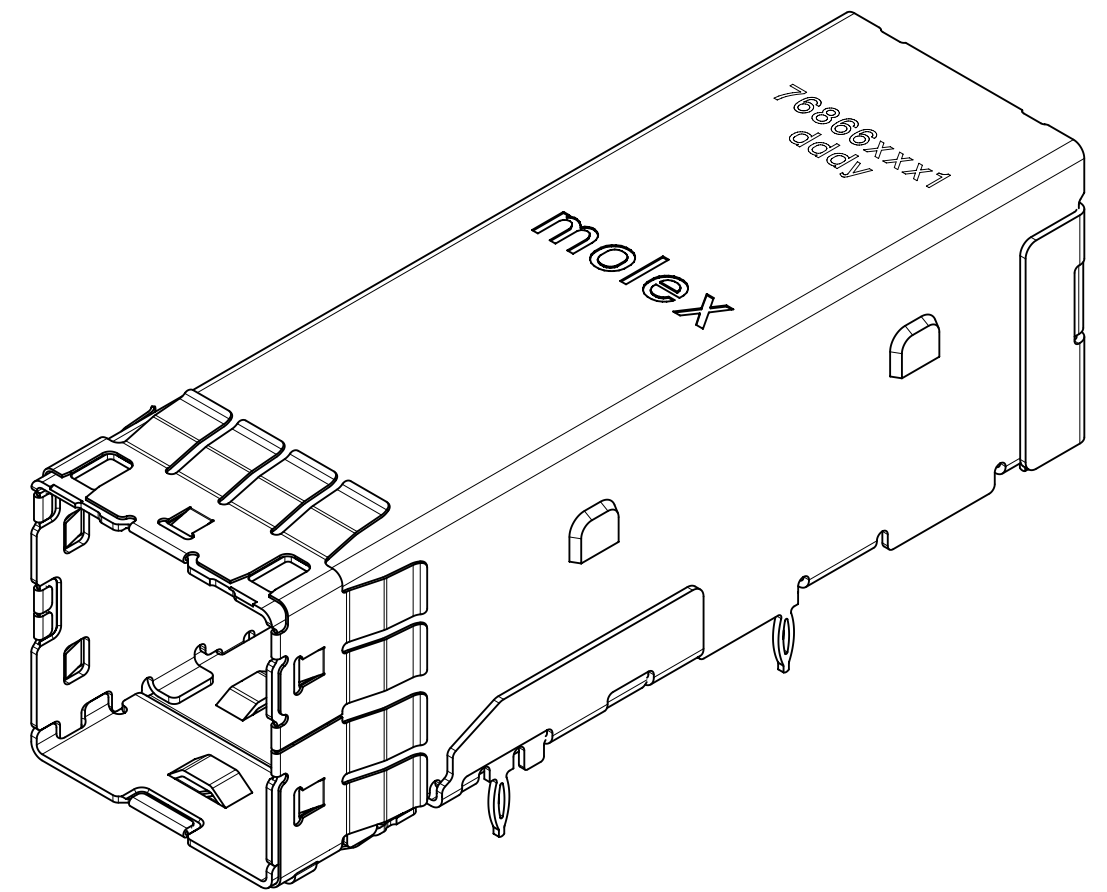
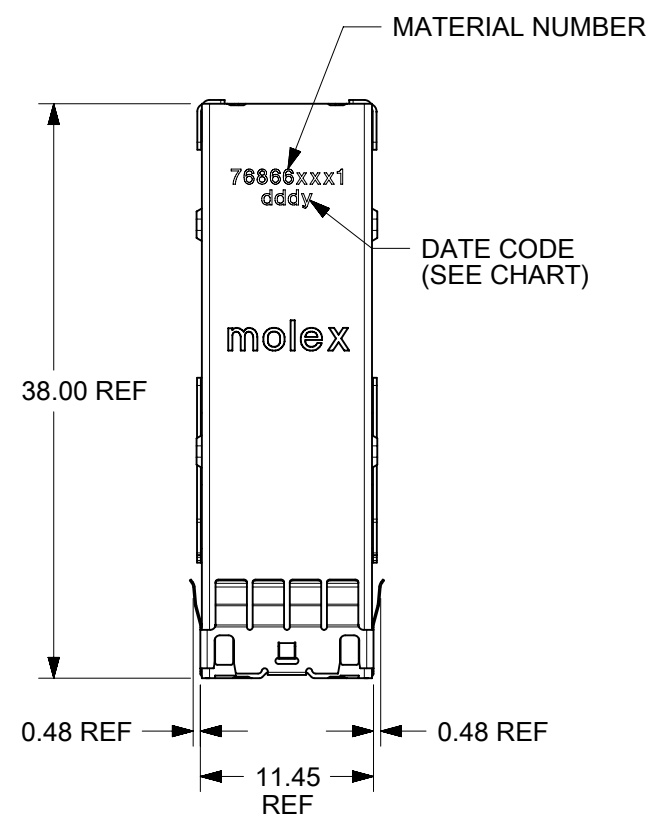
PRODUCT CUSTOMER DRAWING

DOCUMENT NUMBER DOC TYPE DOC PART REVISION

SD-76866-1000 PSD 001 B2

MATERIAL NUMBER CUSTOMER SHEET NUMBER

SEE CHART GENERAL MARKET 1 OF 12



1X1 ASSEMBLY

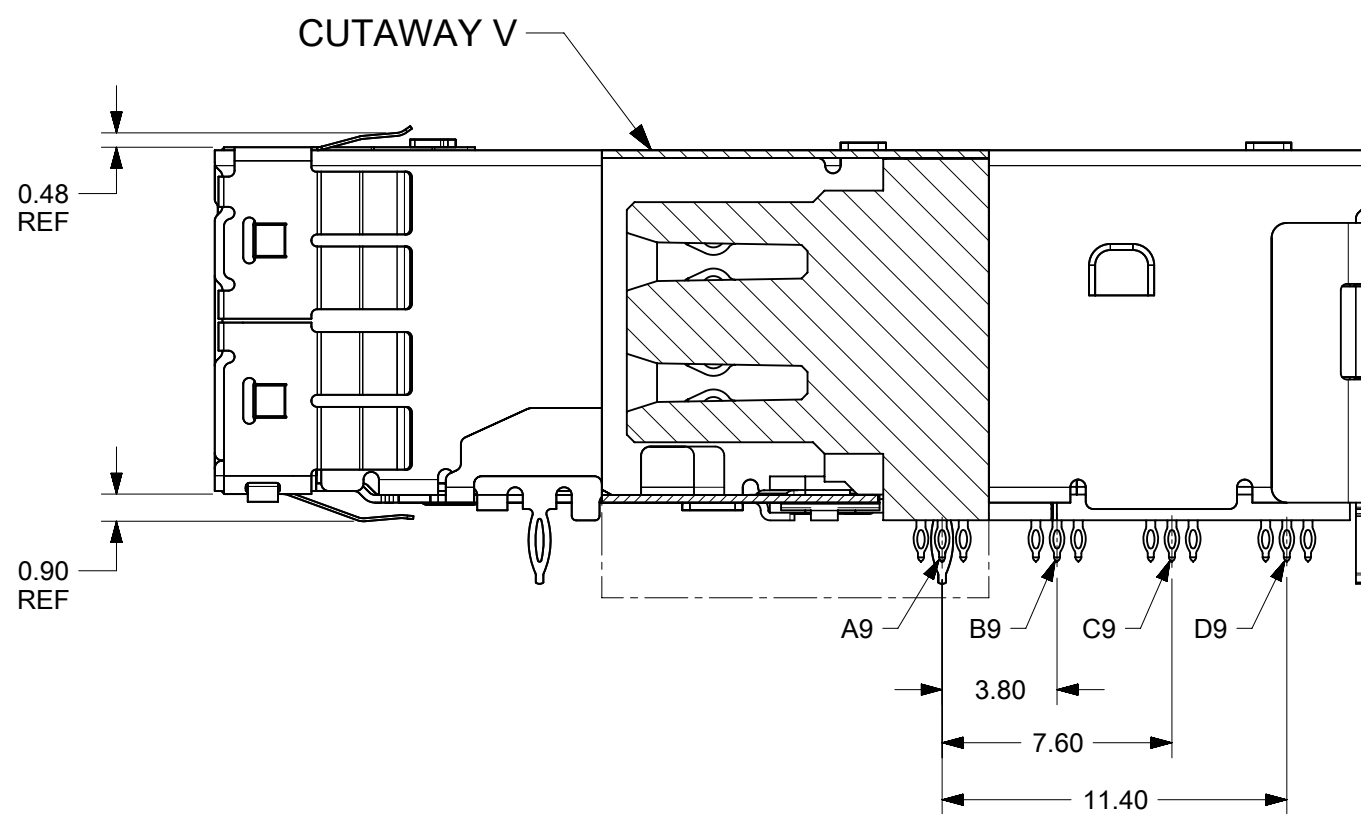
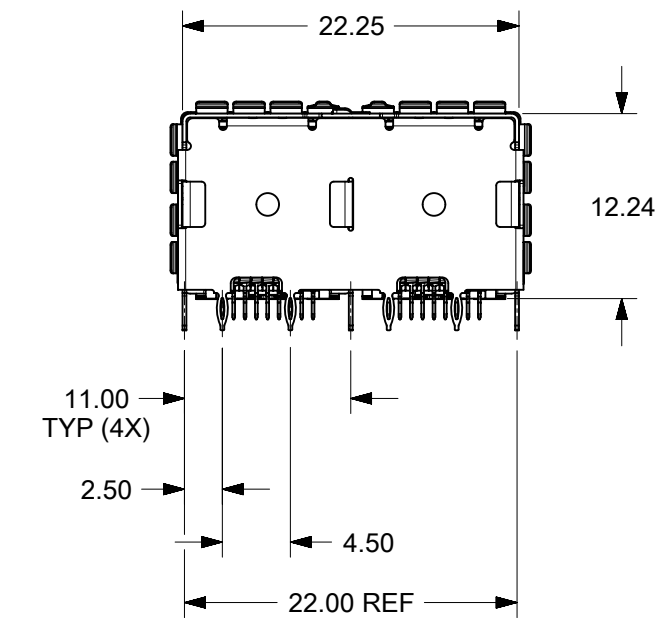
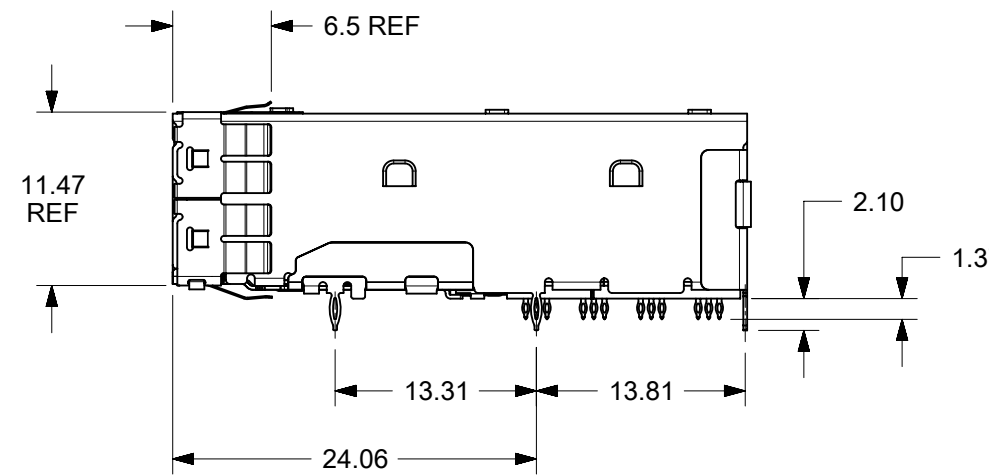
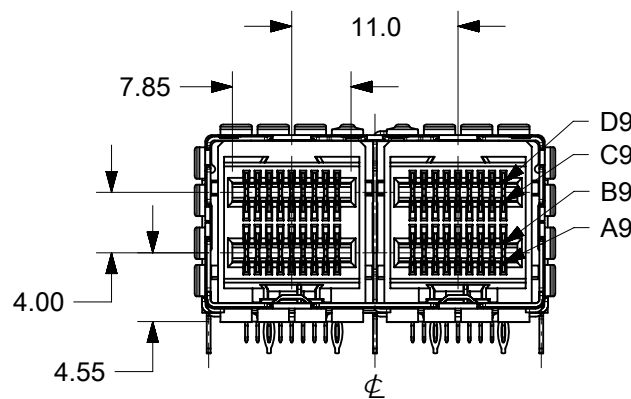
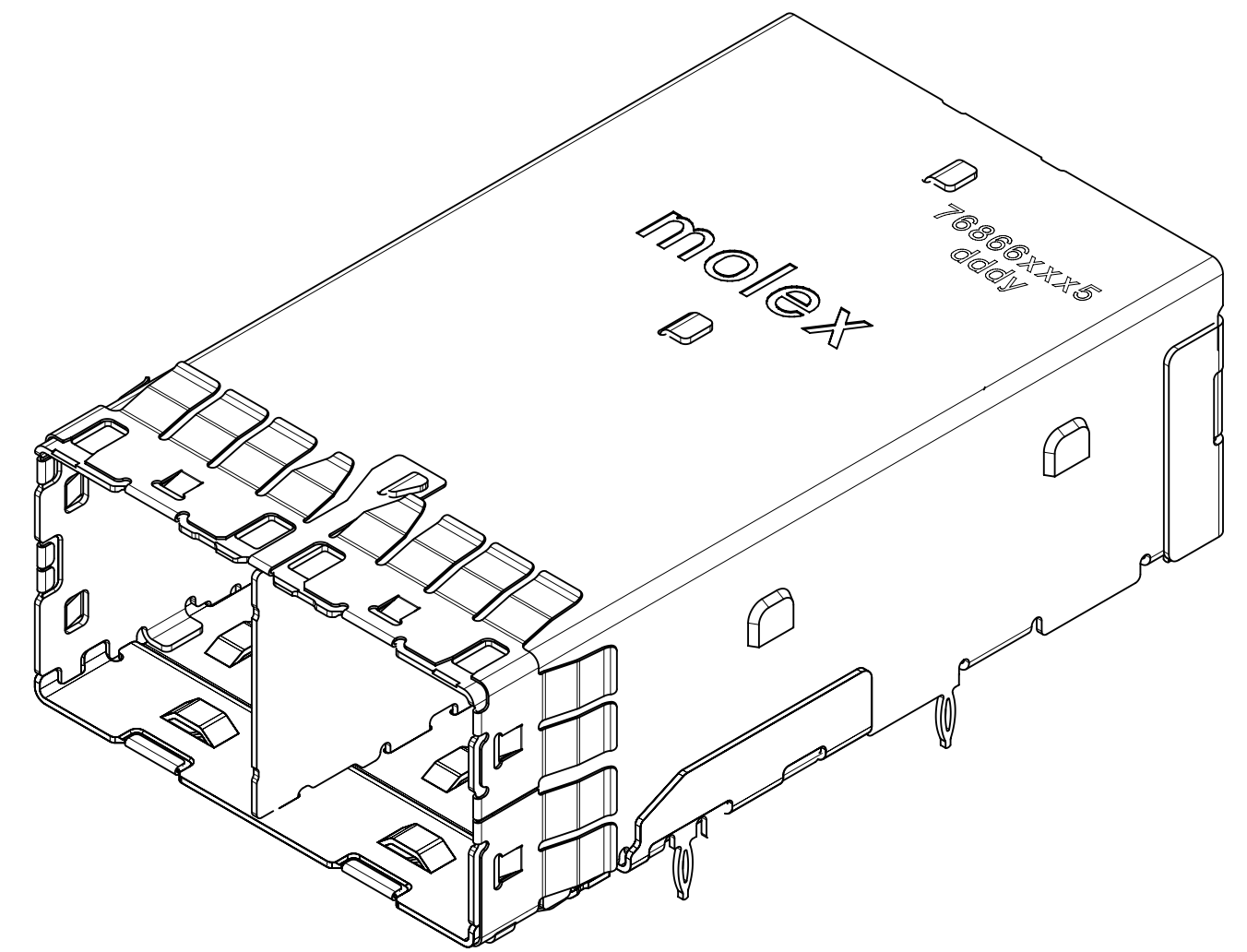
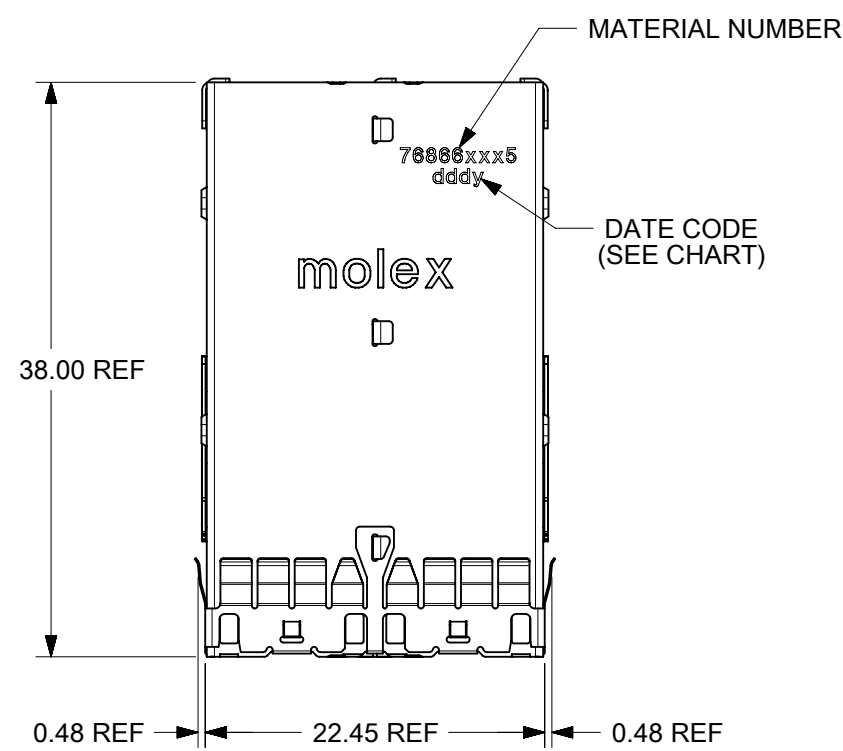
MEXICO	DDDY
CHINA	MSHDDDY
MANUFACTURING LOCATION	DATE CODE

SYMBOLS	THIS DRAWING CONTAINS INFORMATION THAT IS PROPRIETARY TO MOLEX ELECTRONIC TECHNOLOGIES, LLC AND SHOULD NOT BE USED WITHOUT WRITTEN PERMISSION		CURRENT REV DESC:	
	DIMENSION UNITS	SCALE		
▽ = 0	MM	2:1		
▽ = 0	GENERAL TOLERANCES (UNLESS SPECIFIED)			
▽ = 0		MM	INCH	
▽ = 0	4 PLACES	±	±	EC NO: 611291
▽ = 0	3 PLACES	±	±	DRWN: GSHARMA 2019/01/04
▽ = 0	2 PLACES	± 0.13	±	CHK'D: JKACHLIC 2019/07/18
▽ = 0	1 PLACE	± 0.25	±	APPR: JKACHLIC 2019/07/18
▽ = 0	0 PLACES	±	±	INITIAL REVISION:
▽ = 0	ANGULAR TOL	± 0.5 °		DRWN: KLANG 2011/09/29
▽ = 0	DRAFT WHERE APPLICABLE MUST REMAIN WITHIN DIMENSIONS			APPR: MBANAKIS 2013/08/01
▽ = 0	THIRD ANGLE PROJECTION	DRAWING	SERIES	DOCUMENT NUMBER
		C-SIZE	76866	SD-76866-1000
				DOC TYPE
				PSD
				DOC PART
				001
				REVISION
				B2
				MATERIAL NUMBER
				SEE CHART
				CUSTOMER
				GENERAL MARKET
				SHEET NUMBER
				2 OF 12

molex

IPASS PLUS HD - 12G EXTERNAL

PRODUCT CUSTOMER DRAWING



1X2 ASSEMBLY

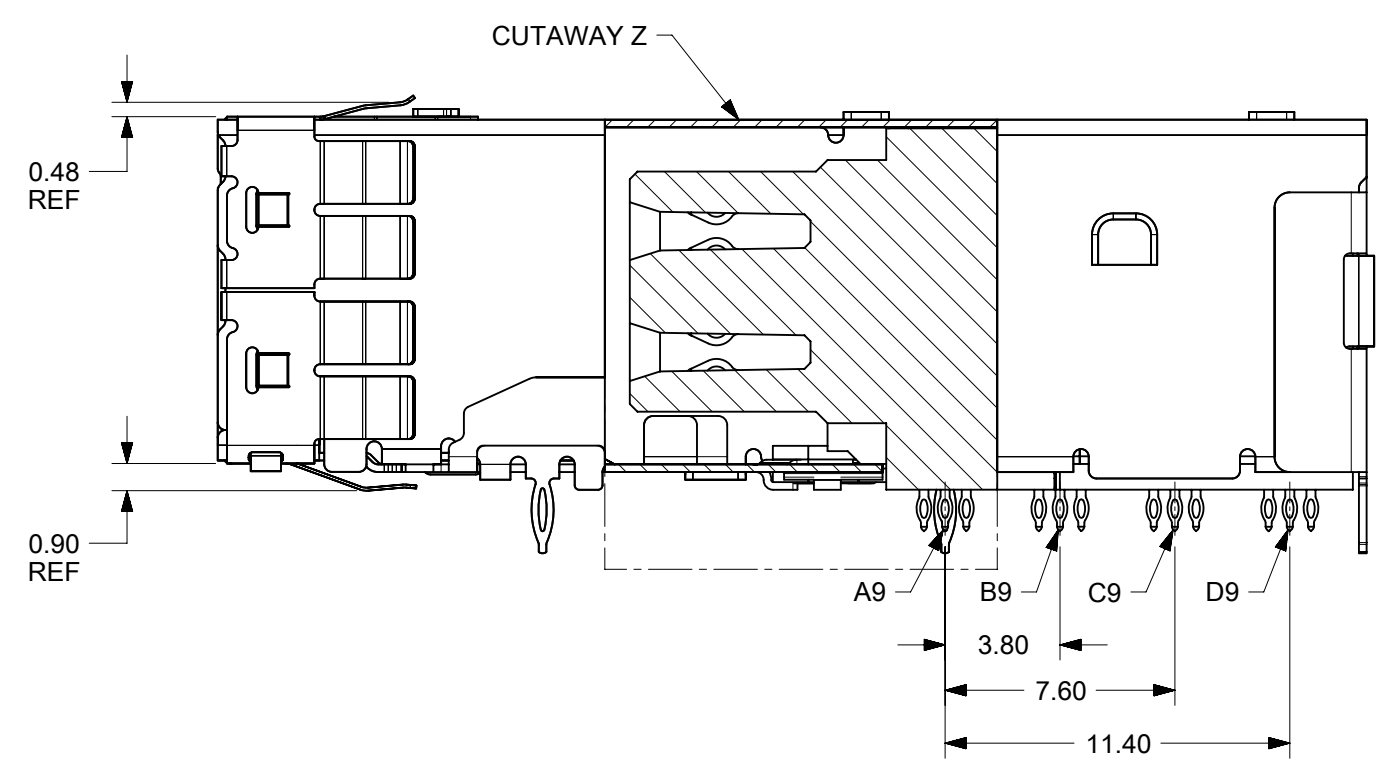
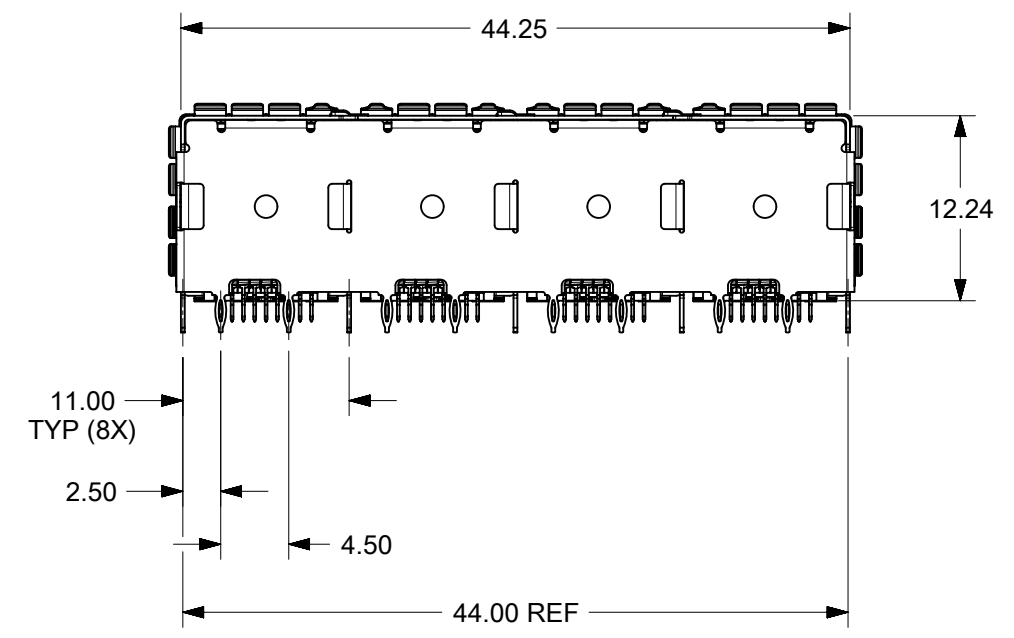
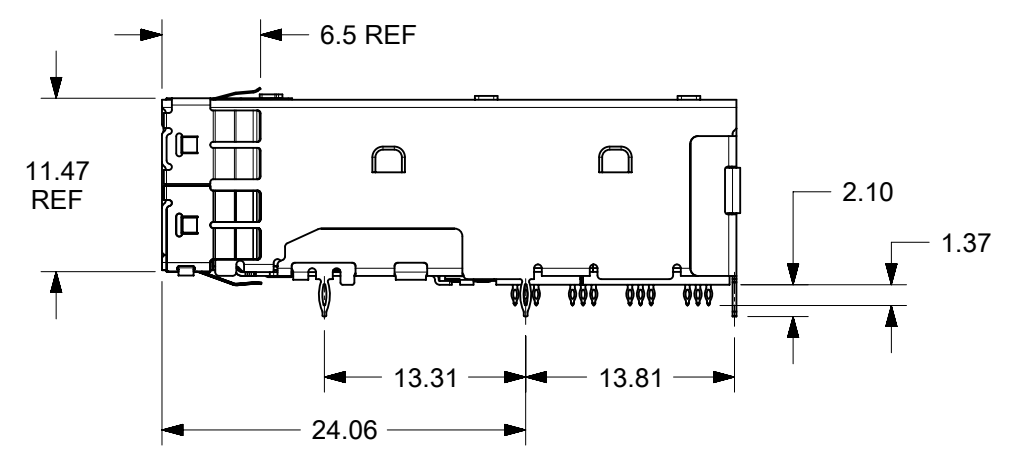
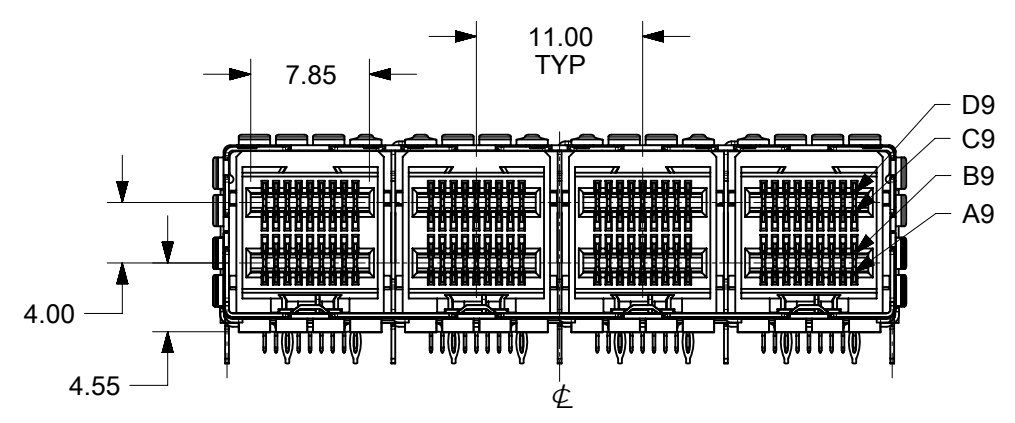
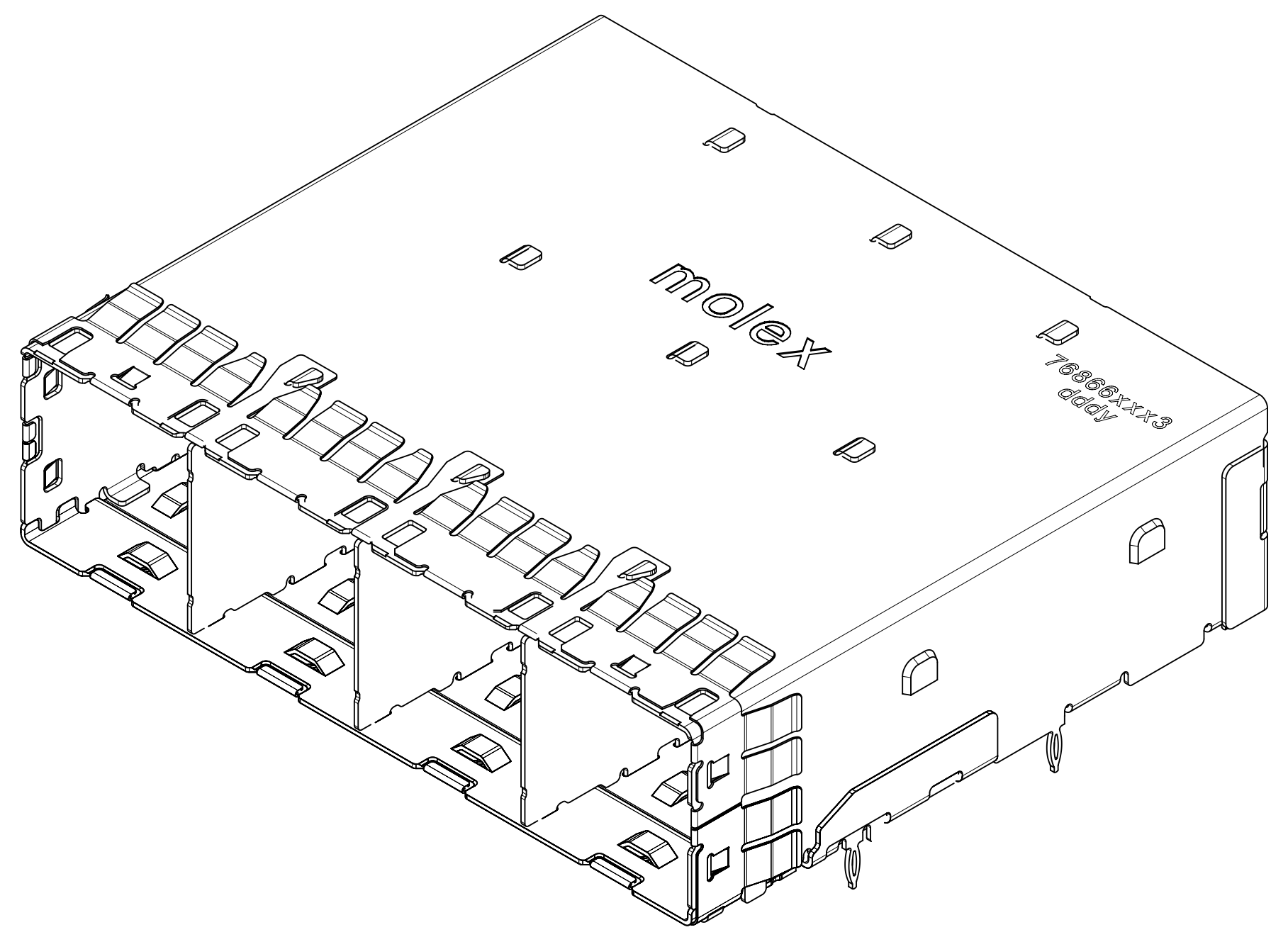
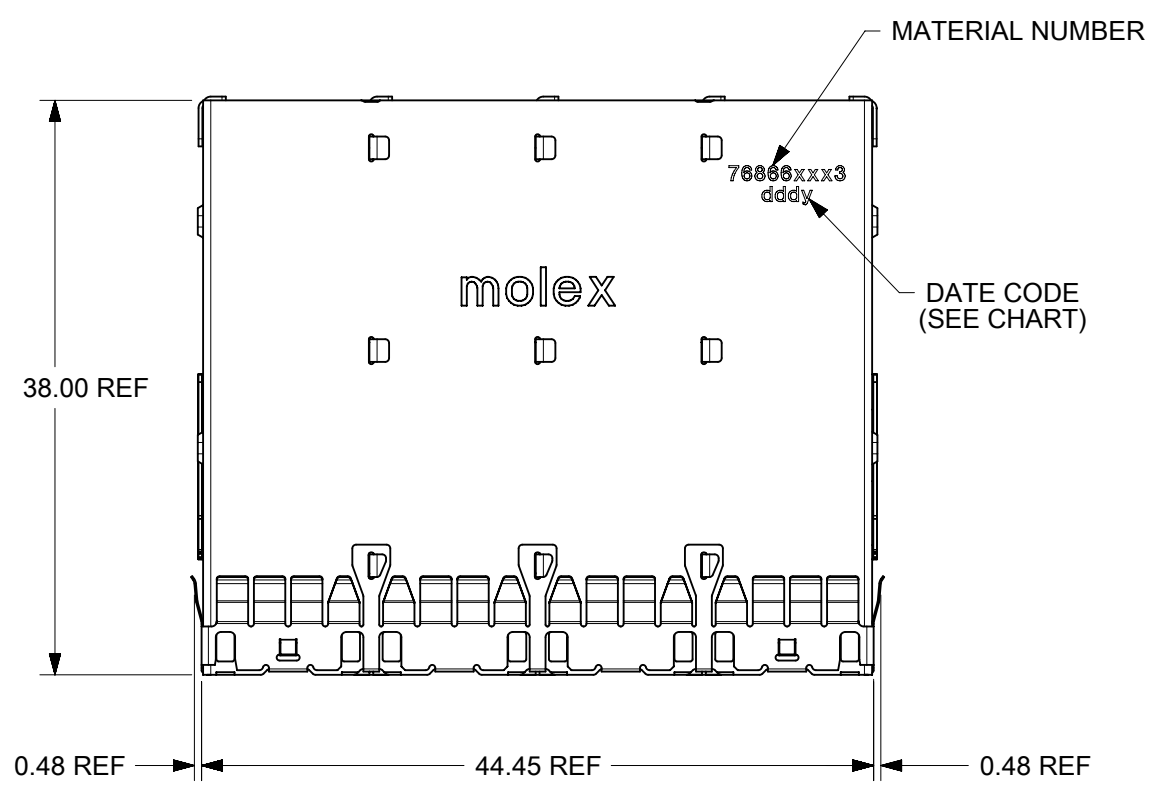
MEXICO	DDDY
CHINA	MSHDDDY
MANUFACTURING LOCATION	DATE CODE

SYMBOLS		THIS DRAWING CONTAINS INFORMATION THAT IS PROPRIETARY TO MOLEX ELECTRONIC TECHNOLOGIES, LLC AND SHOULD NOT BE USED WITHOUT WRITTEN PERMISSION		CURRENT REV DESC:	
∇ = 0	MM	SCALE	2:1		
∇ = 0	GENERAL TOLERANCES (UNLESS SPECIFIED)				
∇ = 0		MM	INCH		
∇ = 0	4 PLACES	±	±	EC NO: 611291	
∇ = 0	3 PLACES	±	±	DRWN: GSHARMA	2019/01/04
∇ = 0	2 PLACES	± 0.13	±	CHK'D: JKACHLIC	2019/07/18
∇ = 0	1 PLACE	± 0.25	±	APPR: JKACHLIC	2019/07/18
∇ = 0	0 PLACES	±	±	INITIAL REVISION:	
∇ = 0	ANGULAR TOL	± 0.5°		DRWN: KLANG	2011/09/29
∇ = 0	DRAFT WHERE APPLICABLE MUST REMAIN WITHIN DIMENSIONS		THIRD ANGLE PROJECTION	APPR: MBANAKIS	2013/08/01
∇ = 0			DRAWING	SERIES	
			C-SIZE	76866	
DOCUMENT STATUS		P1	RELEASE DATE	2019/07/18	04:55:14
DOCUMENT NUMBER		DOC TYPE		DOC PART	REVISION
SD-76866-1000		PSD	001	B2	
MATERIAL NUMBER		CUSTOMER		SHEET NUMBER	
SEE CHART		GENERAL MARKET		3 OF 12	

molex

IPASS PLUS HD - 12G
EXTERNAL

PRODUCT CUSTOMER DRAWING

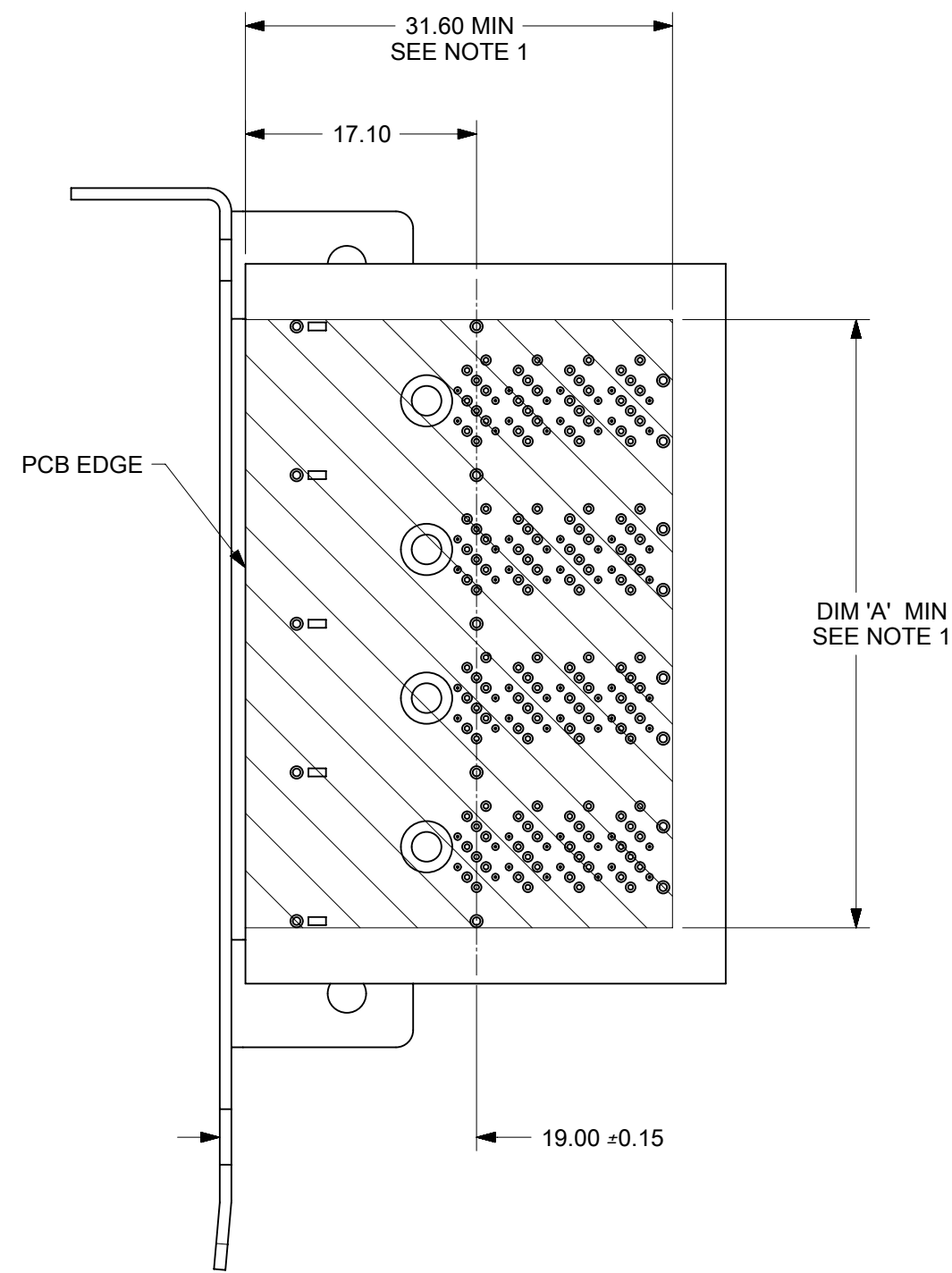
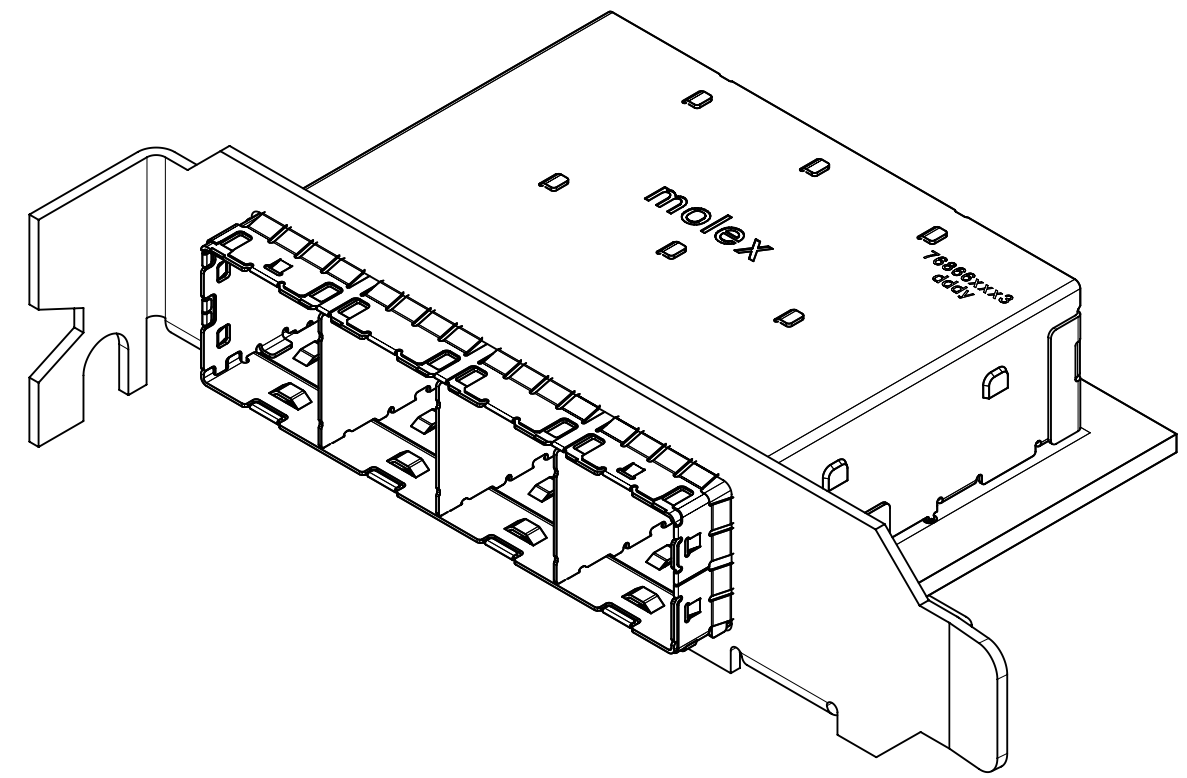
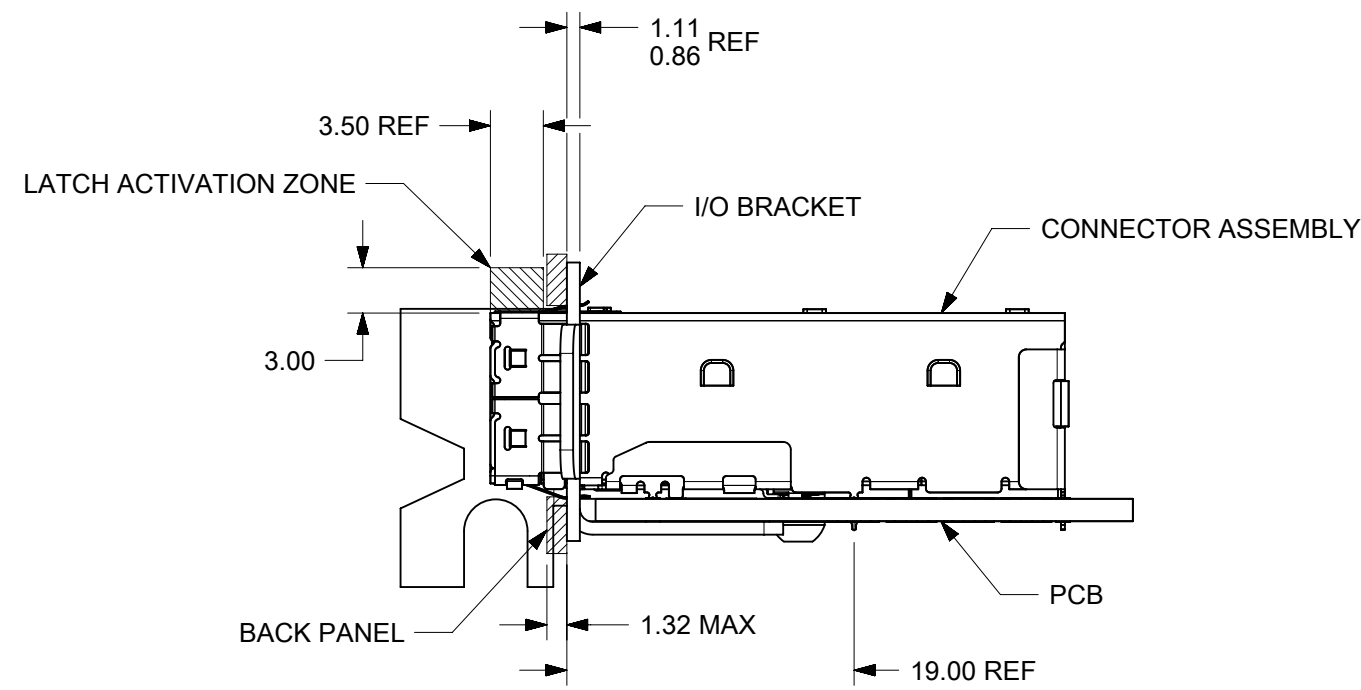


1X4 ASSEMBLY

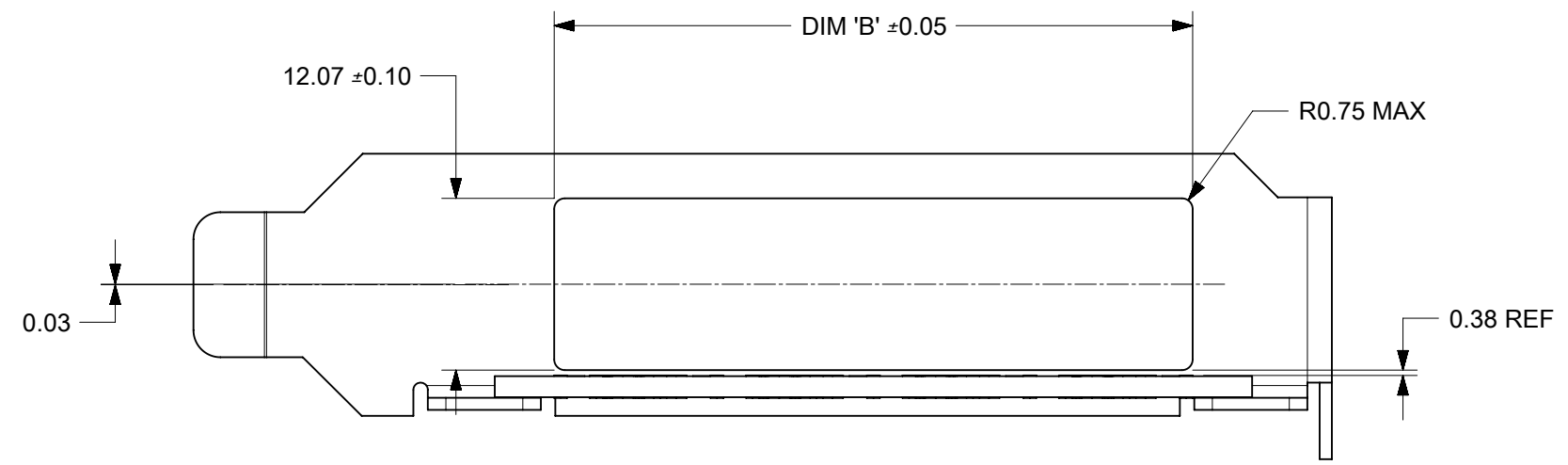
MEXICO	DDDY
CHINA	MSHDDDY
MANUFACTURING LOCATION	DATE CODE

SYMBOLS DIMENSION UNITS: MM SCALE: 2:1 GENERAL TOLERANCES (UNLESS SPECIFIED): 4 PLACES ± 3 PLACES ± 2 PLACES ± 0.13 1 PLACE ± 0.25 0 PLACES ± ANGULAR TOL ± 0.5° DRAFT WHERE APPLICABLE MUST REMAIN WITHIN DIMENSIONS		THIS DRAWING CONTAINS INFORMATION THAT IS PROPRIETARY TO MOLEX ELECTRONIC TECHNOLOGIES, LLC AND SHOULD NOT BE USED WITHOUT WRITTEN PERMISSION. CURRENT REV DESC: EC NO: 611291 DRWN: GSHARMA 2019/01/04 CHK'D: JKACHLIC 2019/07/18 APPR: JKACHLIC 2019/07/18 INITIAL REVISION: DRWN: KLANG 2011/09/29 APPR: MBANAKIS 2013/08/01 THIRD ANGLE PROJECTION DRAWING SERIES: C-SIZE 76866		IPASS PLUS HD - 12G EXTERNAL PRODUCT CUSTOMER DRAWING DOCUMENT NUMBER: SD-76866-1000 DOC TYPE: PSD DOC PART: 001 REVISION: B2 MATERIAL NUMBER: SEE CHART CUSTOMER: GENERAL MARKET SHEET NUMBER: 4 OF 12	
--	--	--	--	---	--

PCI ADD-IN CARD APPLICATION



PCB TO BRACKET VIEW



I/O BRACKET CUT OUT
(BRACKET NOT SUPPLIED)

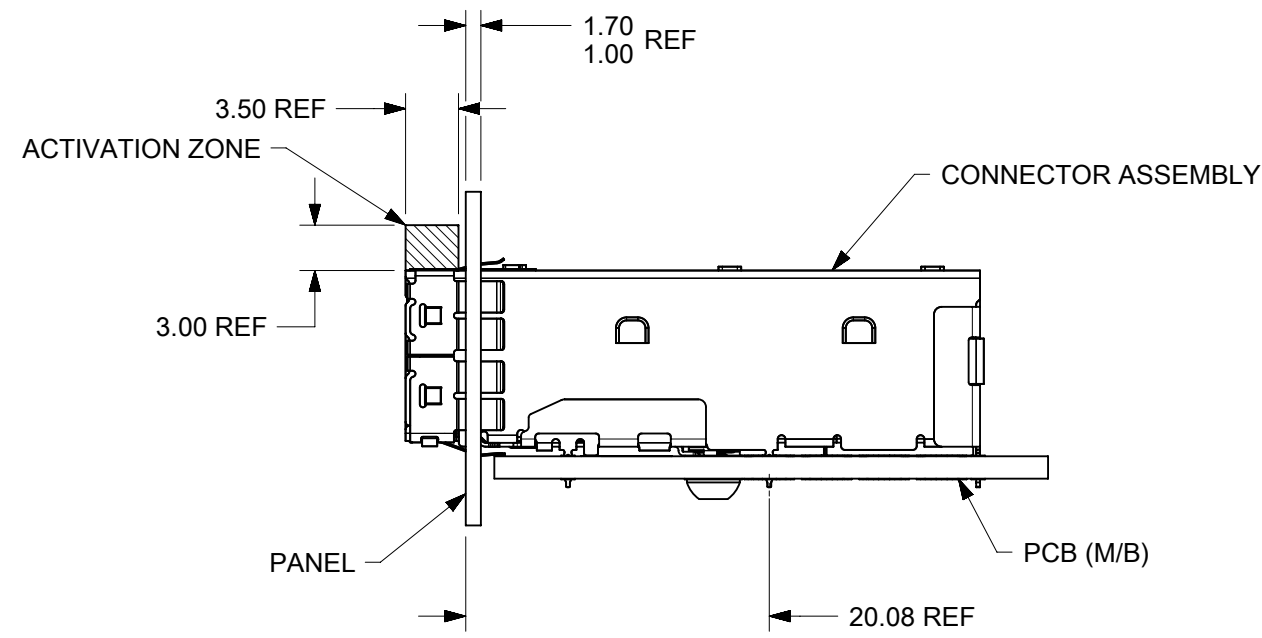
CONFIGURATION	DIM 'A' (MIN)	DIM 'B' (±0.10)
1 X 1	12.00	11.90
1 X 2	23.00	22.90
1 X 4	45.00	44.90

NOTES:
1. CONNECTOR KEEP OUT ZONE: PCB COMPONENTS ARE NOT ALLOWED IN THIS AREA.

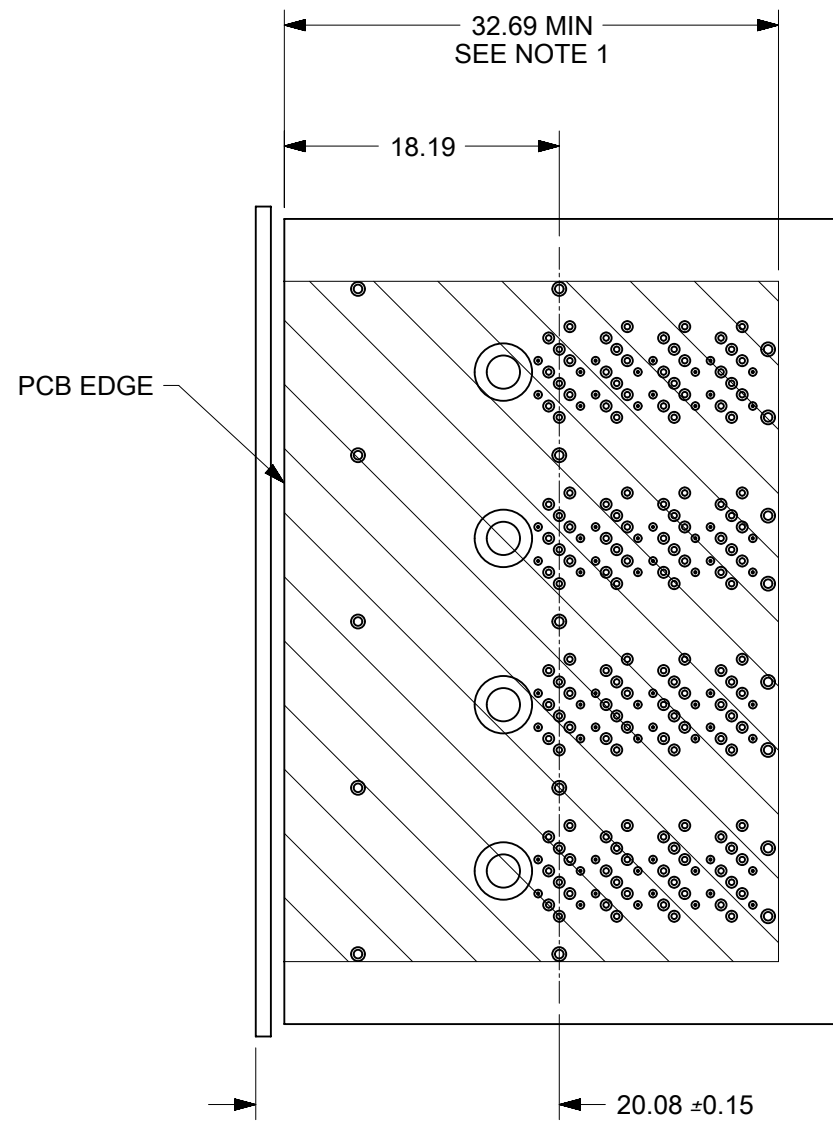
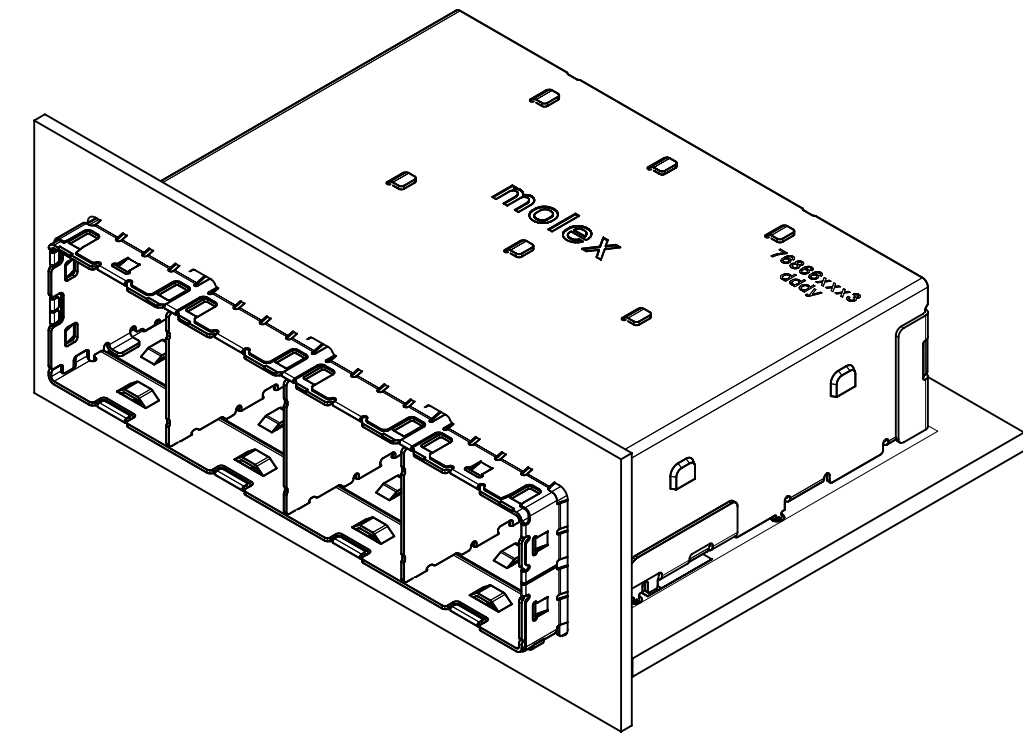
SYMBOLS	THIS DRAWING CONTAINS INFORMATION THAT IS PROPRIETARY TO MOLEX ELECTRONIC TECHNOLOGIES, LLC AND SHOULD NOT BE USED WITHOUT WRITTEN PERMISSION		CURRENT REV DESC:		
	DIMENSION UNITS	SCALE			
∇ = 0	MM	2:1			IPASS PLUS HD - 12G EXTERNAL
∇ = 0	GENERAL TOLERANCES (UNLESS SPECIFIED)				
∇ = 0		MM	INCH	EC NO: 611291	PRODUCT CUSTOMER DRAWING
S = 0	4 PLACES ±			DRWN: GSHARMA 2019/01/04	
∇ = 0	3 PLACES ±			CHK'D: JKACHLIC 2019/07/18	DOCUMENT NUMBER: SD-76866-1000
∇ = 0	2 PLACES ± 0.13 ±			APPR: JKACHLIC 2019/07/18	
∇ = 0	1 PLACE ± 0.25 ±			INITIAL REVISION:	DOC TYPE: PSD
∇ = 0	0 PLACES ±			DRWN: KLANG 2011/09/29	DOC PART: 001
∇ = 0	ANGULAR TOL ± 0.5 °			APPR: MBANAKIS 2013/08/01	REVISION: B2
∇ = 0	DRAFT WHERE APPLICABLE MUST REMAIN WITHIN DIMENSIONS	THIRD ANGLE PROJECTION	DRAWING	SERIES	MATERIAL NUMBER: SEE CHART
∇ = 0			C-SIZE	76866	CUSTOMER: GENERAL MARKET
					SHEET NUMBER: 5 OF 12

DOCUMENT STATUS	P1	RELEASE DATE	2019/07/18	04:55:14
12	11	10	9	8

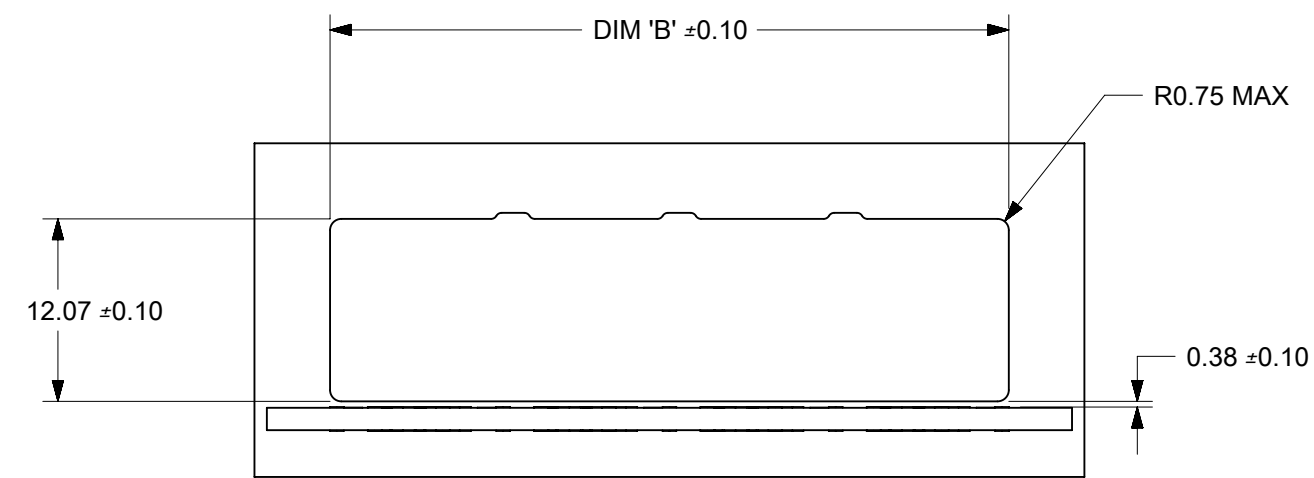
MOTHERBOARD APPLICATION



ASSEMBLED VIEW



PCB TO PANEL VIEW



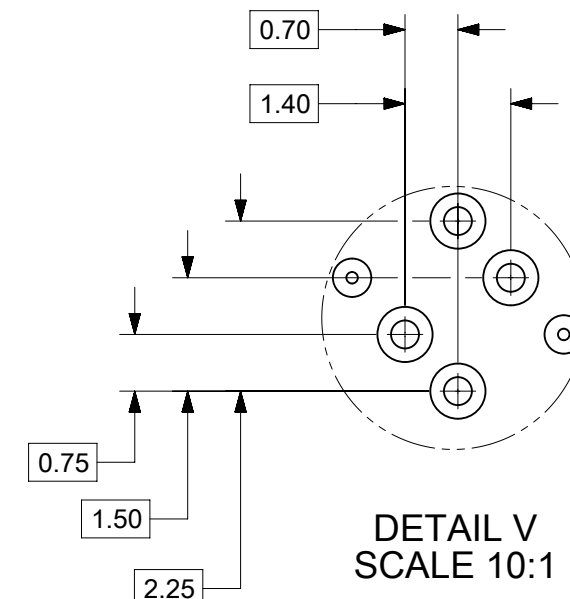
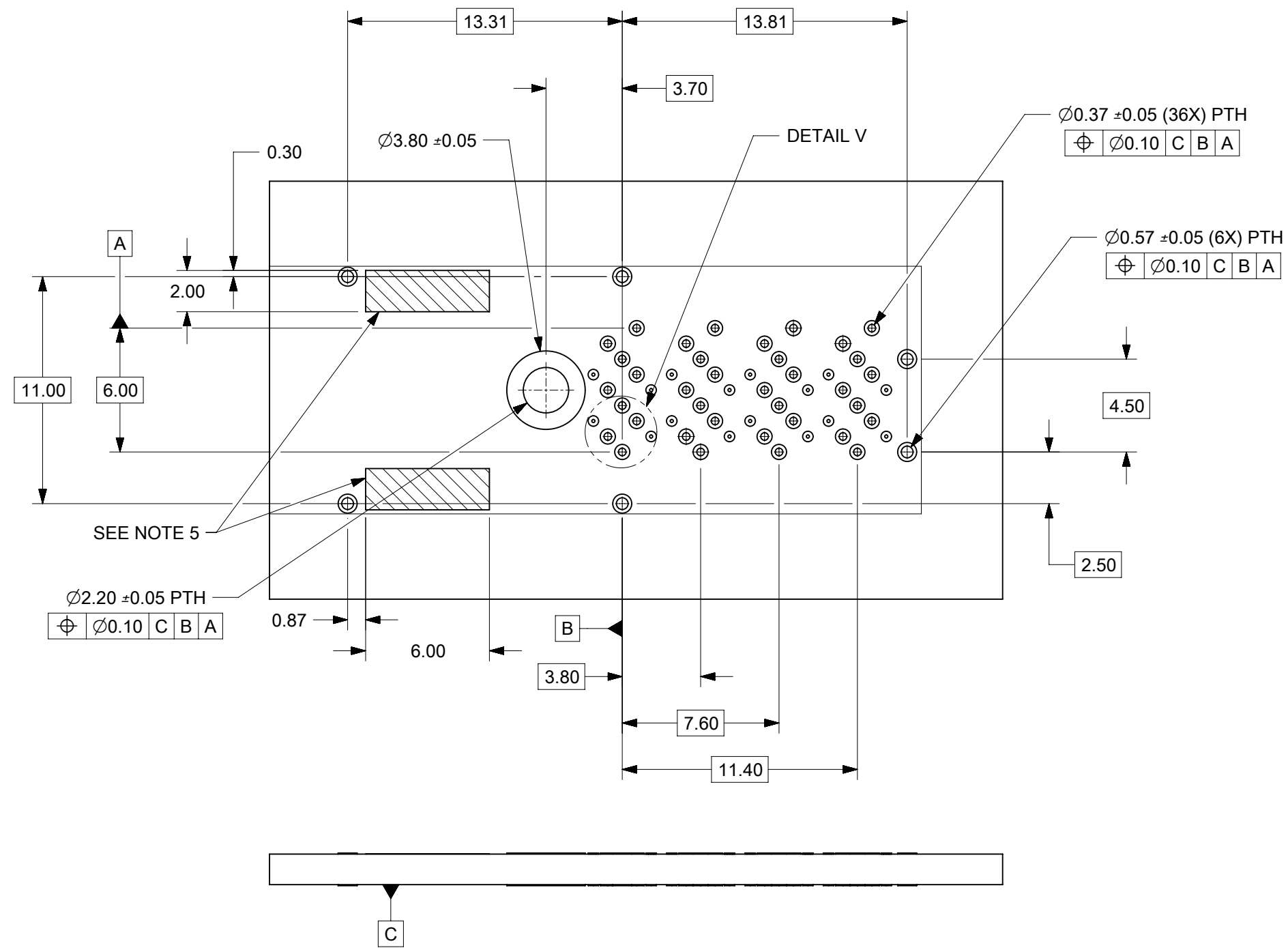
PANEL CUT OUT

CONFIGURATION	DIM 'A' (MIN)	DIM 'B' (±0.10)
1 X 1	12.00	11.90
1 X 2	23.00	22.90
1 X 4	45.00	44.90

NOTES:
1. CONNECTOR KEEP OUT ZONE: PCB COMPONENTS ARE NOT ALLOWED IN THIS AREA.

SYMBOLS		THIS DRAWING CONTAINS INFORMATION THAT IS PROPRIETARY TO MOLEX ELECTRONIC TECHNOLOGIES, LLC AND SHOULD NOT BE USED WITHOUT WRITTEN PERMISSION		CURRENT REV DESC:		molex	
▽ = 0	MM	SCALE	2:1	EC NO: 611291		IPASS PLUS HD - 12G EXTERNAL	
▽ = 0	GENERAL TOLERANCES (UNLESS SPECIFIED)			DRWN: GSHARMA 2019/01/04		PRODUCT CUSTOMER DRAWING	
▽ = 0		MM	INCH	CHK'D: JKACHLIC 2019/07/18		DOCUMENT NUMBER	
S = 0	4 PLACES	±	±	APPR: JKACHLIC 2019/07/18		DOC TYPE	
▽ = 0	3 PLACES	±	±	INITIAL REVISION:		DOC PART	
▽ = 0	2 PLACES	± 0.13	±	DRWN: KLANG 2011/09/29		REVISION	
▽ = 0	1 PLACE	± 0.25	±	APPR: MBANAKIS 2013/08/01		SD-76866-1000	
□ = 0	0 PLACES	±	±	DRAFT WHERE APPLICABLE MUST REMAIN WITHIN DIMENSIONS		PSD 001 B2	
■ = 0	ANGULAR TOL	± 0.5 °		THIRD ANGLE PROJECTION		MATERIAL NUMBER	
▽ = 0				DRAWING		CUSTOMER	
				C-SIZE		SEE CHART	
				SERIES		GENERAL MARKET	
				76866		SHEET NUMBER	
						6 OF 12	

1X1 RECOMMENDED FOOTPRINT



- NOTES:
1. RECOMMENDED DRILL & ANNULAR RING SIZE FOR 0.37 ϕ FINISHED PTH - REFER TO APPLICATION SPECIFICATION AS-76866-001
 2. MINIMUM RECOMMENDED SPACING: 14.00MM
 3. MINIMUM PCB THICKNESS: 1.57MM
 4. RECOMMENDED DRILL & ANNULAR RING SIZE FOR 0.57 ϕ FINISHED PTH - REFER TO APPLICATION SPECIFICATION AS-76866-001
 5. CAGE KEEP OUT ZONE: TRACES AND VIAS ARE NOT ALLOWED ON SURFACE OF PCB IN THESE AREAS.

SYMBOLS		THIS DRAWING CONTAINS INFORMATION THAT IS PROPRIETARY TO MOLEX ELECTRONIC TECHNOLOGIES, LLC AND SHOULD NOT BE USED WITHOUT WRITTEN PERMISSION			
		DIMENSION UNITS		SCALE	
$\nabla = 0$		MM		4:1	
$\nabla = 0$		GENERAL TOLERANCES (UNLESS SPECIFIED)			
$\nabla = 0$			MM	INCH	
$\nabla = 0$	4 PLACES	\pm		\pm	
$\nabla = 0$	3 PLACES	\pm		\pm	
$\nabla = 0$	2 PLACES	\pm	0.13	\pm	
$\nabla = 0$	1 PLACE	\pm	0.25	\pm	
$\nabla = 0$	0 PLACES	\pm		\pm	
$\nabla = 0$		ANGULAR TOL \pm 0.5 °			
$\nabla = 0$		DRAFT WHERE APPLICABLE MUST REMAIN WITHIN DIMENSIONS			
		THIRD ANGLE PROJECTION			
		DRAWING		SERIES	
		C-SIZE		76866	
		CURRENT REV DESC:			
		EC NO: 611291			
		DRWN: GSHARMA		2019/01/04	
		CHK'D: JKACHLIC		2019/07/18	
		APPR: JKACHLIC		2019/07/18	
		INITIAL REVISION:			
		DRWN: KLANG		2011/09/29	
		APPR: MBANAKIS		2013/08/01	
		DOCUMENT NUMBER		DOC TYPE DOC PART REVISION	
		SD-76866-1000		PSD 001 B2	
		MATERIAL NUMBER		CUSTOMER	
		SEE CHART		GENERAL MARKET	
		SHEET NUMBER		7 OF 12	

molex

IPASS PLUS HD - 12G
EXTERNAL

PRODUCT CUSTOMER DRAWING

DOCUMENT NUMBER | DOC TYPE | DOC PART | REVISION

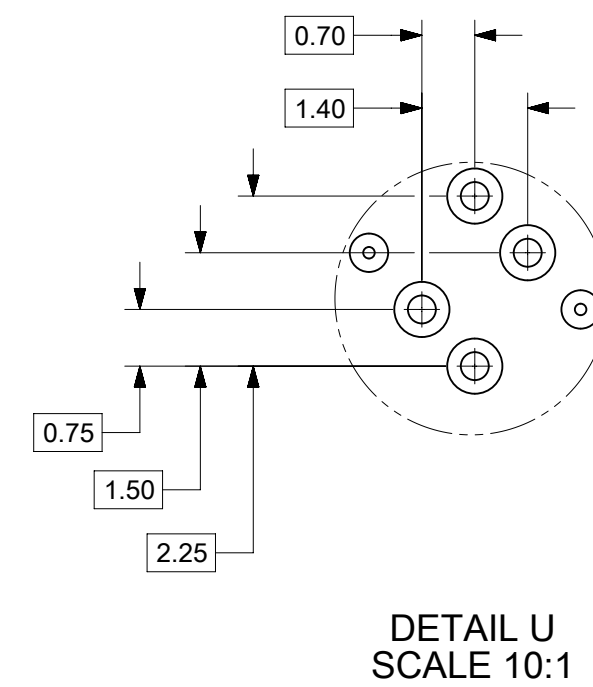
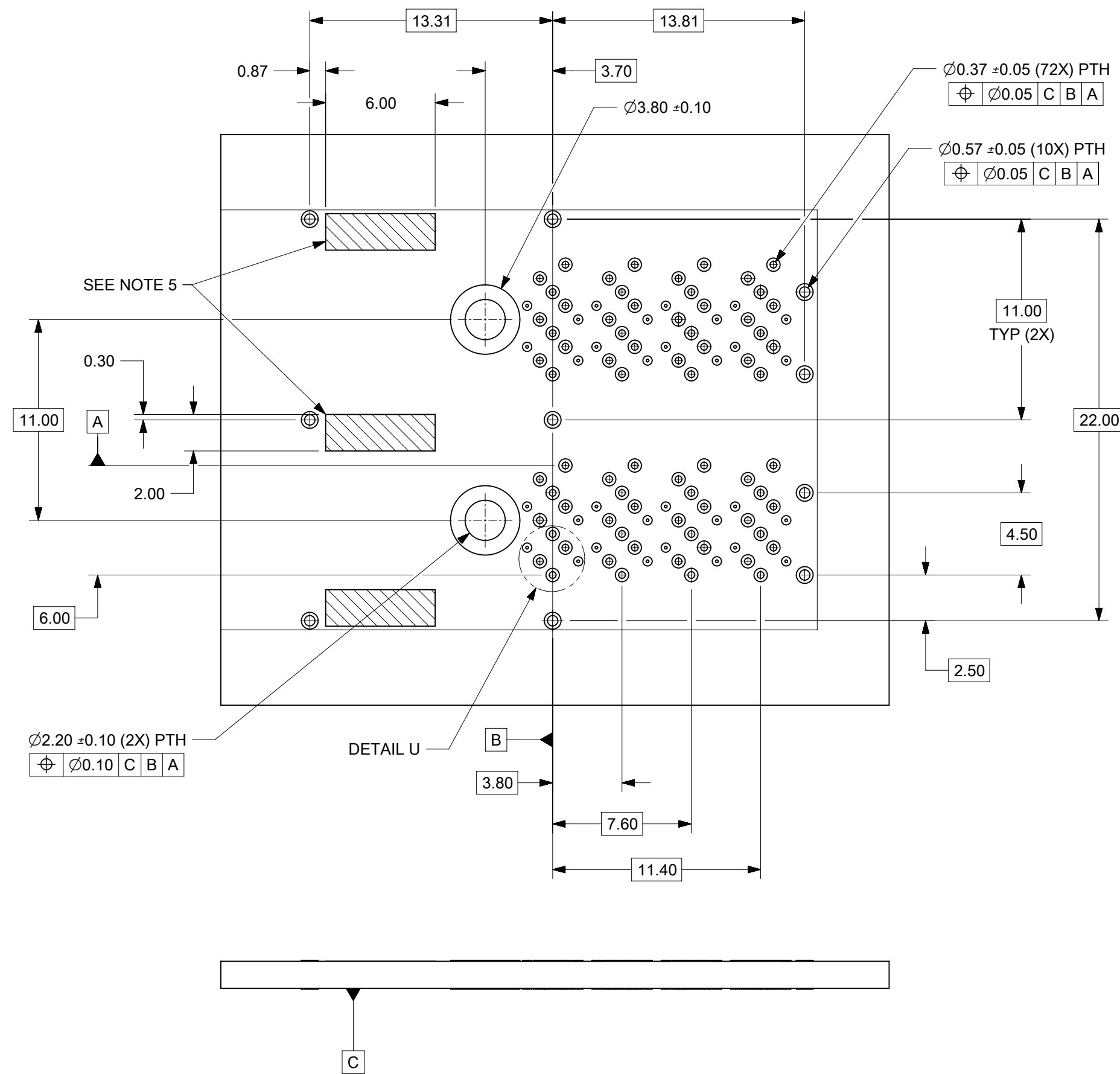
SD-76866-1000 | PSD | 001 | B2

MATERIAL NUMBER | CUSTOMER

SEE CHART | GENERAL MARKET | SHEET NUMBER

7 OF 12

1X2 RECOMMENDED FOOTPRINT



NOTES:

1. RECOMMENDED DRILL & ANNULAR RING SIZE FOR 0.37Ø FINISHED PTH - REFER TO APPLICATION SPECIFICATION AS-76866-001
2. MINIMUM RECOMMENDED SPACING: 25.00MM
3. MINIMUM PCB THICKNESS: 1.57MM
4. RECOMMENDED DRILL & ANNULAR RING SIZE FOR 0.57Ø FINISHED PTH - REFER TO APPLICATION SPECIFICATION AS-76866-001
5. CAGE KEEP OUT ZONE: TRACES AND VIAS ARE NOT ALLOWED ON SURFACE OF PCB IN THESE AREAS.

SYMBOLS		THIS DRAWING CONTAINS INFORMATION THAT IS PROPRIETARY TO MOLEX ELECTRONIC TECHNOLOGIES, LLC AND SHOULD NOT BE USED WITHOUT WRITTEN PERMISSION			
		DIMENSION UNITS		SCALE	
∇ = 0	MM	4:1		CURRENT REV DESC:	
∇ = 0	GENERAL TOLERANCES (UNLESS SPECIFIED)		EC NO: 611291		
∇ = 0		MM	INCH	DRWN: GSHARMA	2019/01/04
∇ = 0	4 PLACES	±	±	CHK'D: JKACHLIC	2019/07/18
∇ = 0	3 PLACES	±	±	APPR: JKACHLIC	2019/07/18
∇ = 0	2 PLACES	± 0.13	±	INITIAL REVISION:	
∇ = 0	1 PLACE	± 0.25	±	DRWN: KLANG	2011/09/29
∇ = 0	0 PLACES	±	±	APPR: MBANAKIS	2013/08/01
∇ = 0	ANGULAR TOL	± 0.5 °		DOCUMENT NUMBER	
∇ = 0	DRAFT WHERE APPLICABLE MUST REMAIN WITHIN DIMENSIONS		THIRD ANGLE PROJECTION	DRAWING	SERIES
			∅	C-SIZE	76866
		MATERIAL NUMBER		CUSTOMER	SHEET NUMBER
		SEE CHART		GENERAL MARKET	8 OF 12

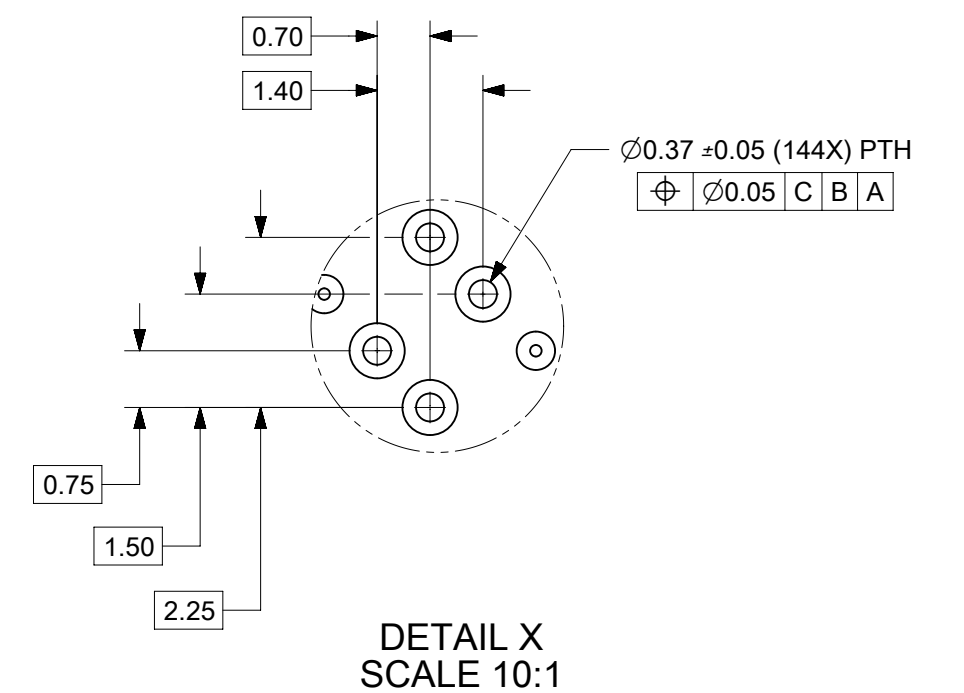
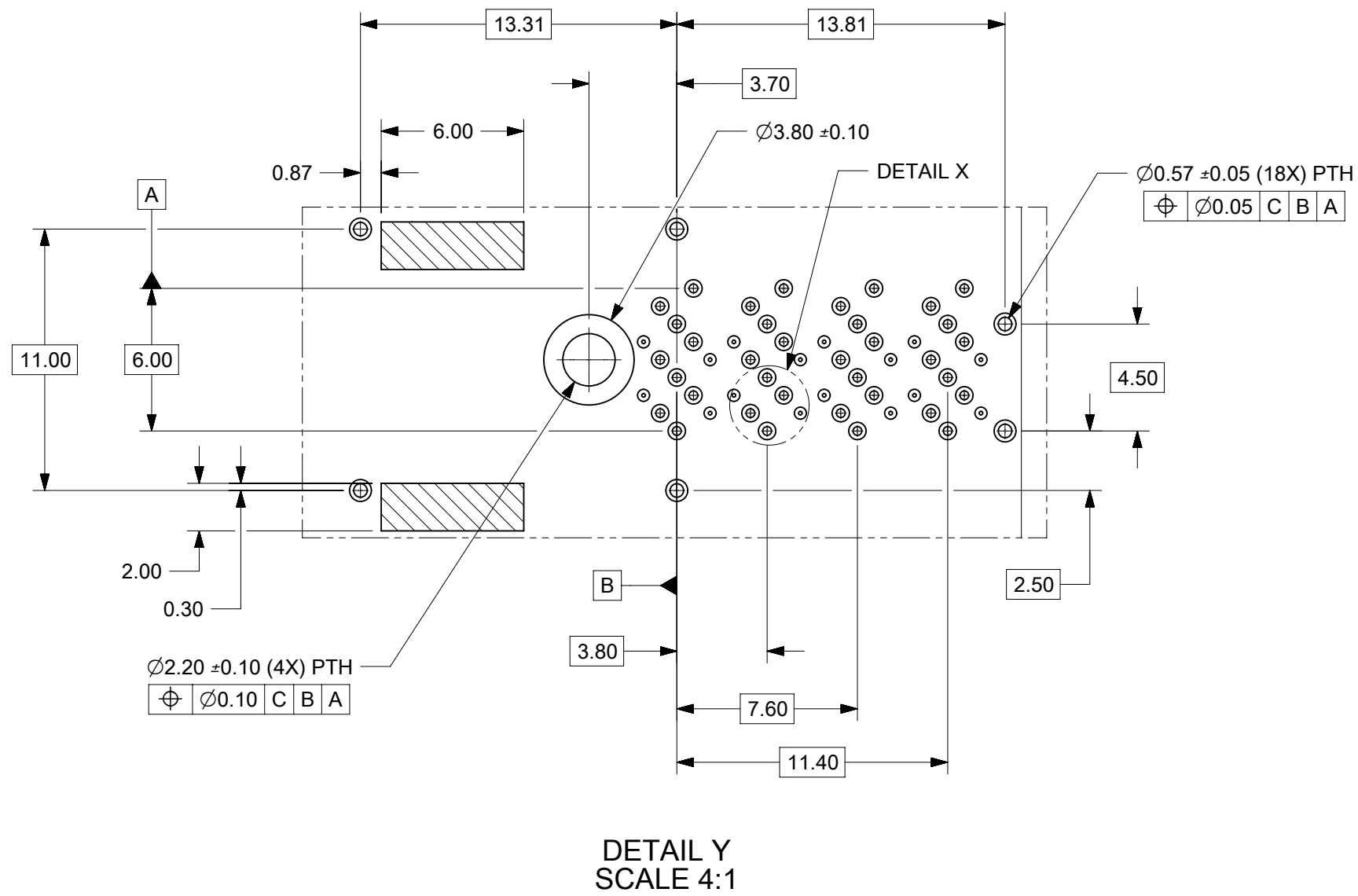
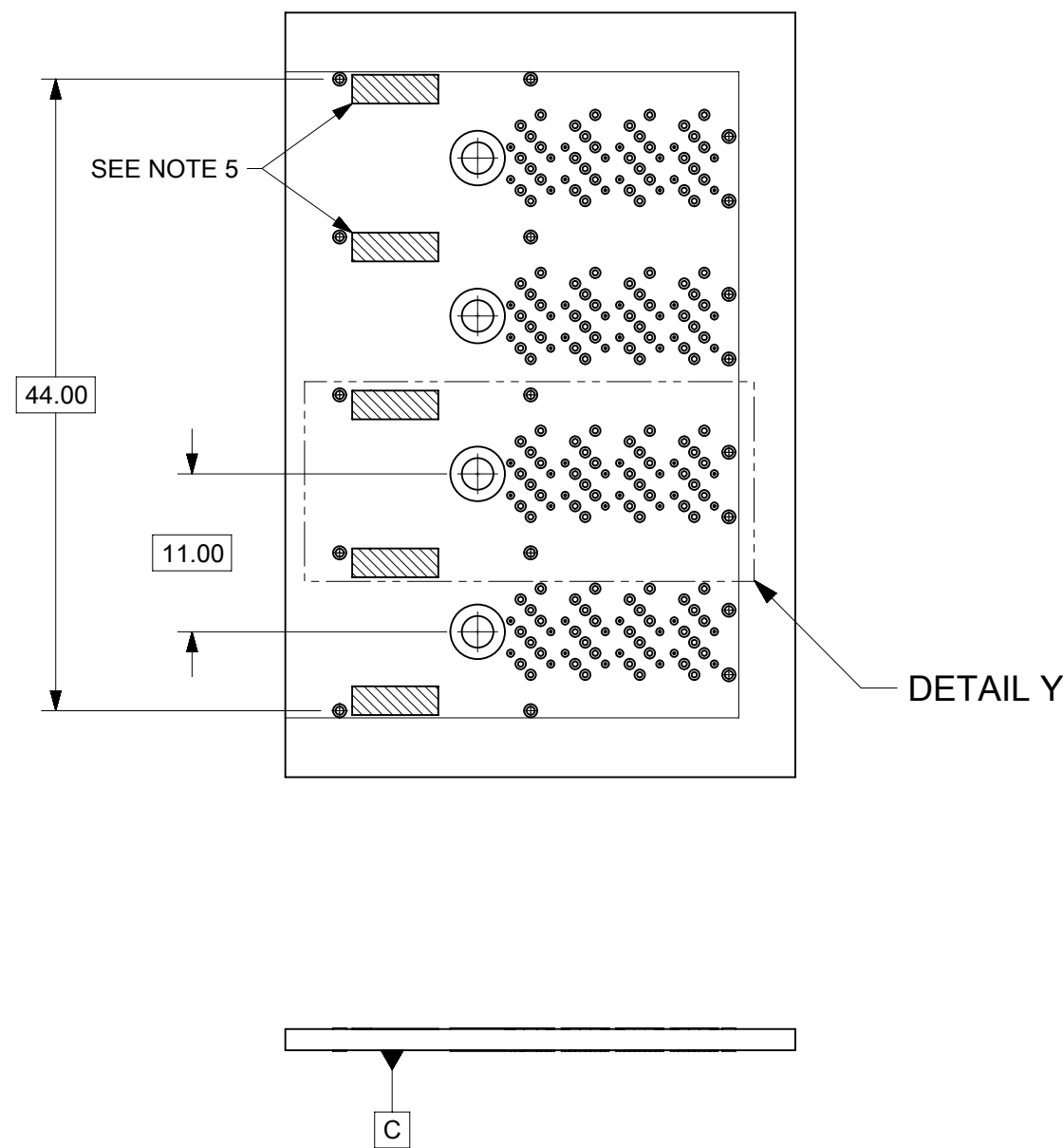
molex

IPASS PLUS HD - 12G
EXTERNAL

PRODUCT CUSTOMER DRAWING

DOCUMENT NUMBER	DOC TYPE	DOC PART	REVISION
SD-76866-1000	PSD	001	B2

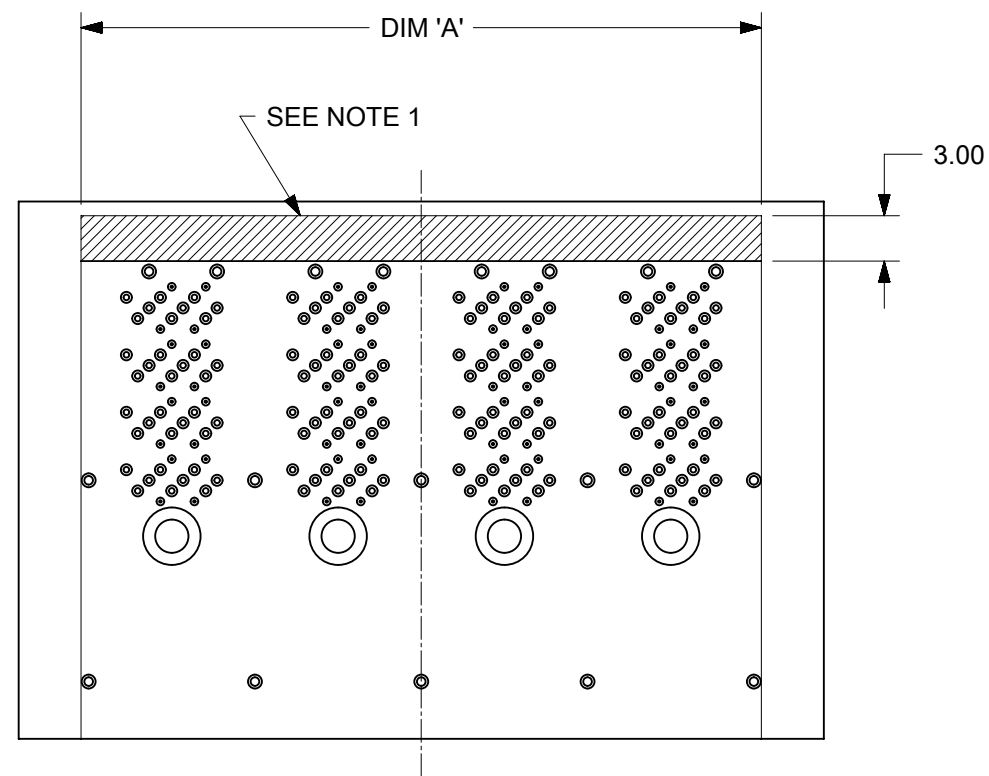
1X4 RECOMMENDED FOOTPRINT



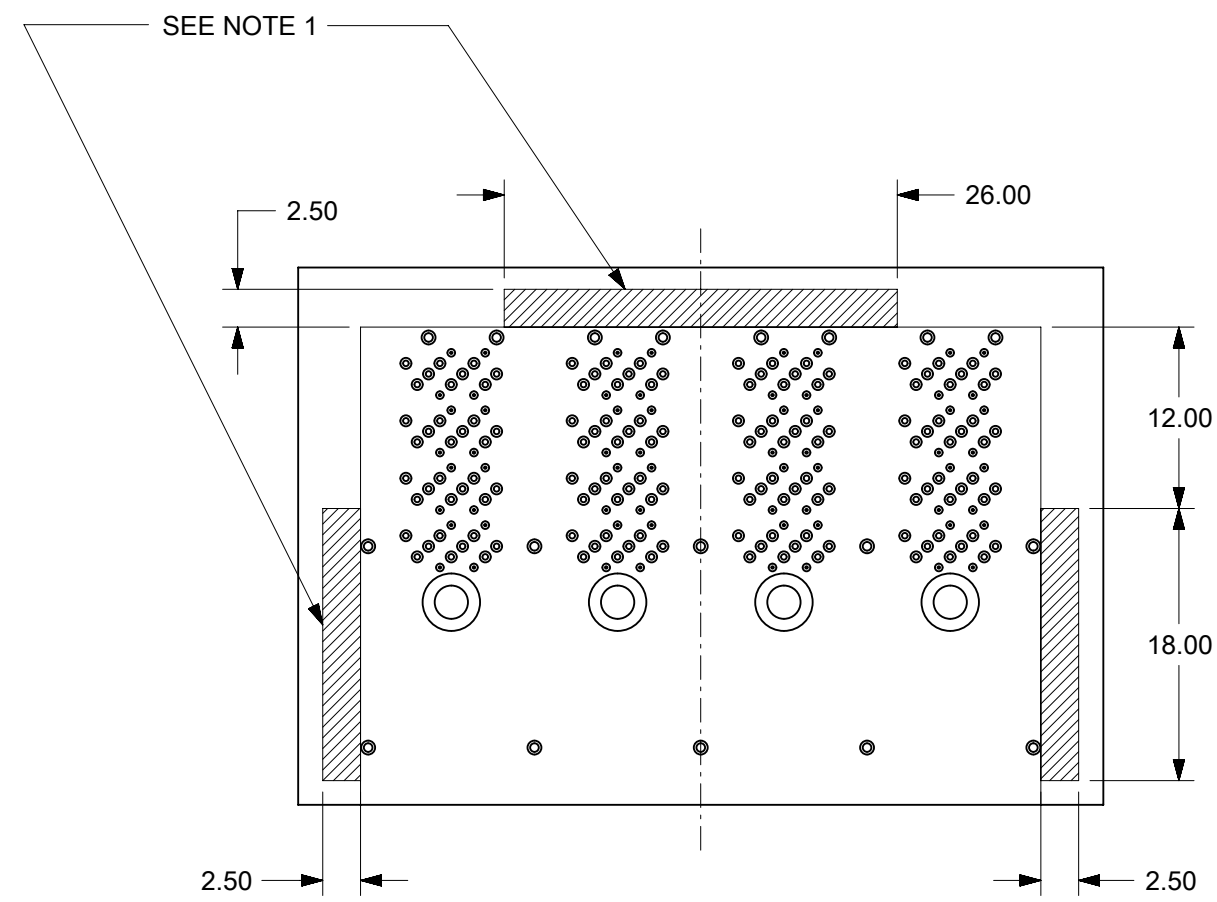
- NOTES:
1. RECOMMENDED DRILL & ANNULAR RING SIZE FOR 0.37 \varnothing FINISHED PTH - REFER TO APPLICATION SPECIFICATION AS-76866-001
 2. MINIMUM RECOMMENDED SPACING: 47.00MM
 3. MINIMUM PCB THICKNESS: 1.57MM
 4. RECOMMENDED DRILL & ANNULAR RING SIZE FOR 0.57 \varnothing FINISHED PTH - REFER TO APPLICATION SPECIFICATION AS-76866-001
 5. CAGE KEEP OUT ZONE: TRACES AND VIAS ARE NOT ALLOWED ON SURFACE OF PCB IN THESE AREAS.

SYMBOLS	THIS DRAWING CONTAINS INFORMATION THAT IS PROPRIETARY TO MOLEX ELECTRONIC TECHNOLOGIES, LLC AND SHOULD NOT BE USED WITHOUT WRITTEN PERMISSION		CURRENT REV DESC:	
	DIMENSION UNITS	SCALE		
$\nabla = 0$	MM	2:1		
$\nabla = 0$	GENERAL TOLERANCES (UNLESS SPECIFIED)			
$\nabla = 0$		MM	INCH	
$\nabla = 0$	4 PLACES	±	±	
$\nabla = 0$	3 PLACES	±	±	
$\nabla = 0$	2 PLACES	± 0.13	±	
$\nabla = 0$	1 PLACE	± 0.25	±	
$\nabla = 0$	0 PLACES	±	±	
$\nabla = 0$	ANGULAR TOL ± 0.5°			
$\nabla = 0$	DRAFT WHERE APPLICABLE MUST REMAIN WITHIN DIMENSIONS		THIRD ANGLE PROJECTION	DRAWING
$\nabla = 0$			C-SIZE	SERIES
			2011/09/29	2013/08/01
			DRWN: KLANG	2011/09/29
			APPR: MBANAKIS	2013/08/01
			EC NO: 611291	
			DRWN: GSHARMA	2019/01/04
			CHK'D: JKACHLIC	2019/07/18
			APPR: JKACHLIC	2019/07/18
			INITIAL REVISION:	
			DRWN: KLANG	2011/09/29
			APPR: MBANAKIS	2013/08/01
DOCUMENT NUMBER		DOC TYPE	DOC PART	REVISION
SD-76866-1000		PSD	001	B2
MATERIAL NUMBER		CUSTOMER		SHEET NUMBER
SEE CHART		GENERAL MARKET		9 OF 12

RECOMMENDED TOOLING KEEP OUT AREAS



INSERTION TOOL KEEP OUT AREA



EXTRACTION TOOL KEEP OUT AREA

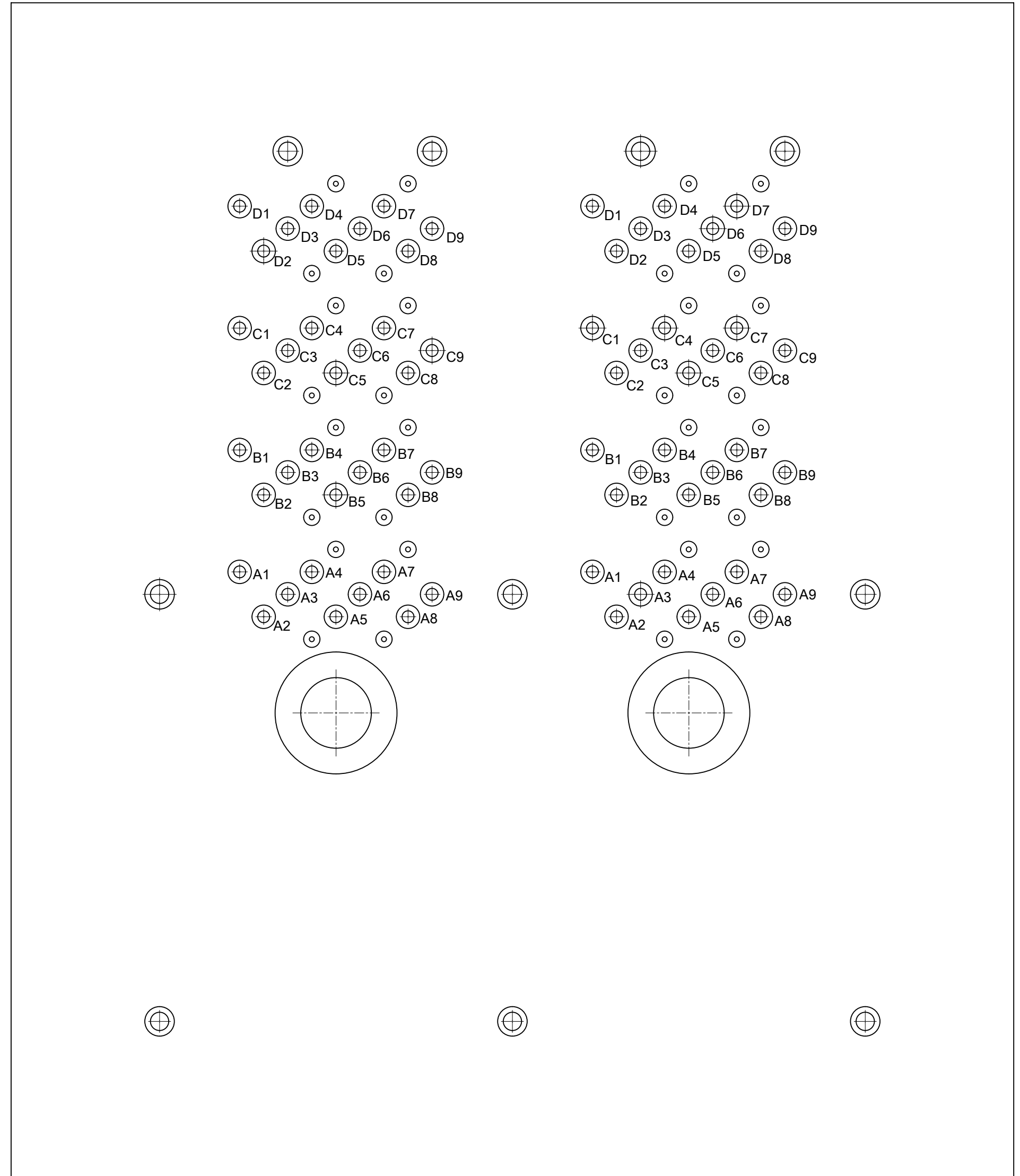
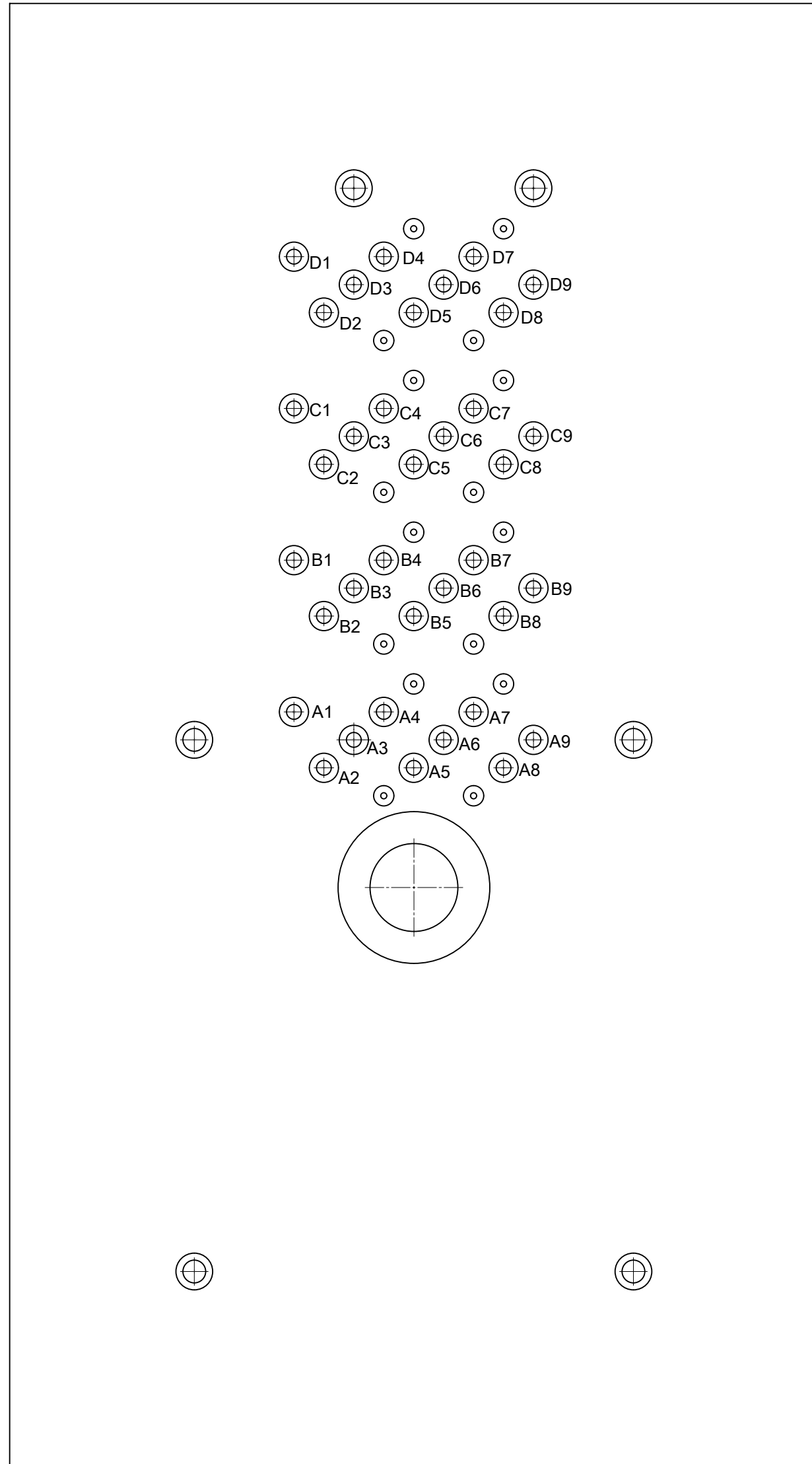
CONFIGURATION	DIM 'A' (MIN)
1 X 1	12.00
1 X 2	23.00
1 X 4	45.00

NOTES:
1. NO COMPONENTS ALLOWED IN THESE AREAS

SYMBOLS		THIS DRAWING CONTAINS INFORMATION THAT IS PROPRIETARY TO MOLEX ELECTRONIC TECHNOLOGIES, LLC AND SHOULD NOT BE USED WITHOUT WRITTEN PERMISSION		CURRENT REV DESC:			
DIMENSION UNITS		SCALE		EC NO: 611291			
	= 0	MM	2:1	DRWN: GSHARMA 2019/01/04		IPASS PLUS HD - 12G EXTERNAL	
	= 0			GENERAL TOLERANCES (UNLESS SPECIFIED)			
	= 0			APP: JKACHLIC 2019/07/18		PRODUCT CUSTOMER DRAWING	
	= 0	4 PLACES	±	INITIAL REVISION:			
	= 0	3 PLACES	±	DRWN: KLANG 2011/09/29		SD-76866-1000	
	= 0	2 PLACES	± 0.13	APP: MBANAKIS 2013/08/01		PSD 001 B2	
	= 0	1 PLACE	± 0.25	DRAFT WHERE APPLICABLE MUST REMAIN WITHIN DIMENSIONS		MATERIAL NUMBER	
	= 0	0 PLACES	±	THIRD ANGLE PROJECTION		CUSTOMER	
	= 0	ANGULAR TOL ± 0.5 °		DRAWING		SHEET NUMBER	
	= 0			C-SIZE		SEE CHART	
	= 0			SERIES		GENERAL MARKET	
	= 0			76866		10 OF 12	

DOCUMENT STATUS	P1	RELEASE DATE	2019/07/18	04:55:14
12	11	10	9	8

1X1 & 1X2 FOOTPRINT CIRCUIT IDENTIFICATION



THIS DRAWING CONTAINS INFORMATION THAT IS PROPRIETARY TO MOLEX ELECTRONIC TECHNOLOGIES, LLC AND SHOULD NOT BE USED WITHOUT WRITTEN PERMISSION												
SYMBOLS		DIMENSION UNITS		SCALE		CURRENT REV DESC:						
	= 0	MM	8:1	GENERAL TOLERANCES (UNLESS SPECIFIED)								
	= 0											
	= 0			MM		INCH		EC NO: 611291				
	= 0	4 PLACES		±	±	DRWN: GSHARMA		2019/01/04				
	= 0	3 PLACES		±	±	CHK'D: JKACHLIC		2019/07/18				
	= 0	2 PLACES		± 0.13	±	APPR: JKACHLIC		2019/07/18				
	= 0	1 PLACE		± 0.25	±	INITIAL REVISION:						
	= 0	0 PLACES		±	±	DRWN: KLANG		2011/09/29				
	= 0	ANGULAR TOL		± 0.5 °		APPR: MBANAKIS		2013/08/01				
	= 0	DRAFT WHERE APPLICABLE MUST REMAIN WITHIN DIMENSIONS				THIRD ANGLE PROJECTION		DRAWING	SERIES	MATERIAL NUMBER	CUSTOMER	SHEET NUMBER
	= 0							C-SIZE	76866	SEE CHART	GENERAL MARKET	11 OF 12

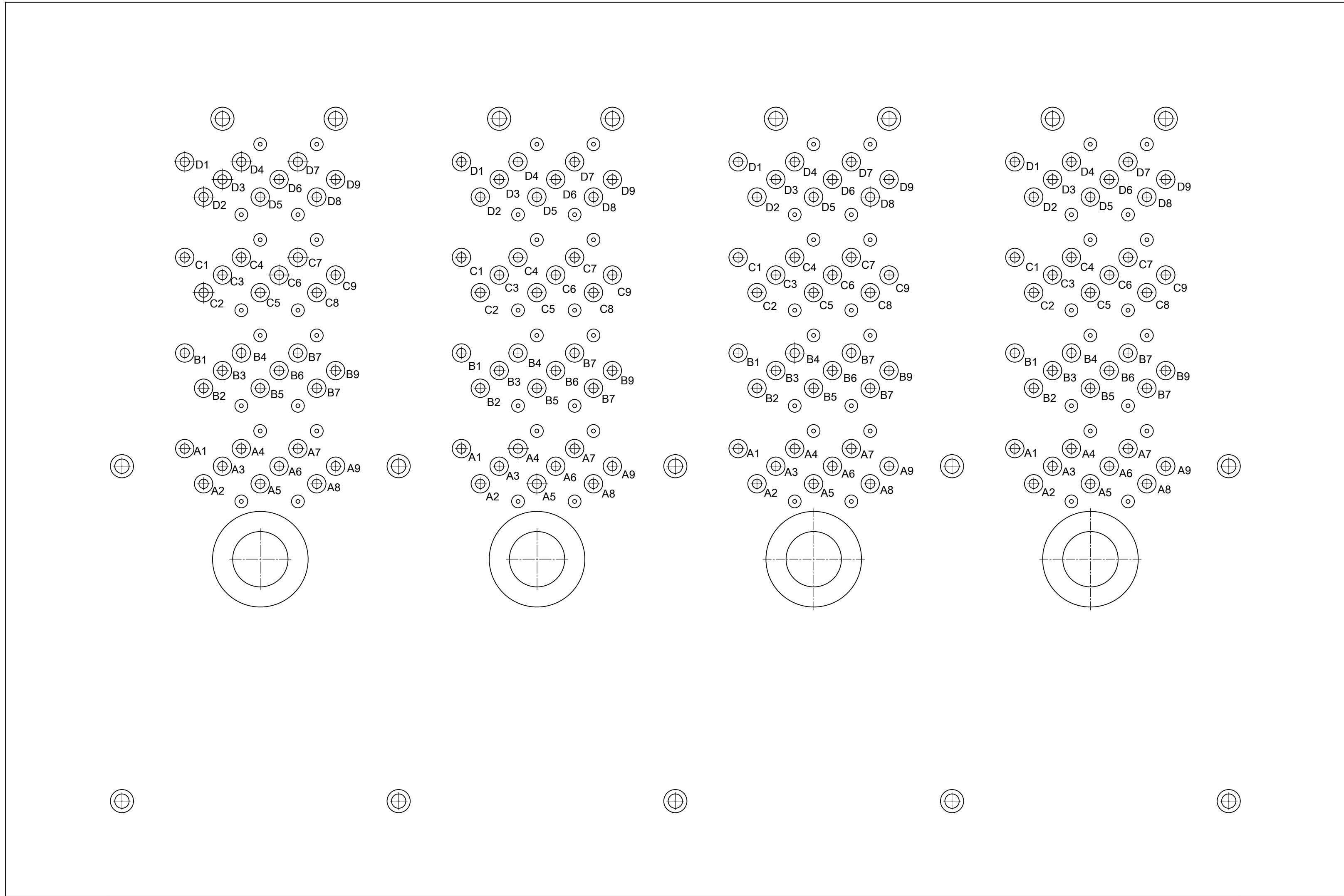
molex

IPASS PLUS HD - 12G
EXTERNAL

PRODUCT CUSTOMER DRAWING

DOCUMENT NUMBER	DOC TYPE	DOC PART	REVISION
SD-76866-1000	PSD	001	B2

1X4 FOOTPRINT CIRCUIT IDENTIFICATION



THIS DRAWING CONTAINS INFORMATION THAT IS PROPRIETARY TO MOLEX ELECTRONIC TECHNOLOGIES, LLC AND SHOULD NOT BE USED WITHOUT WRITTEN PERMISSION											
SYMBOLS		DIMENSION UNITS		SCALE		CURRENT REV DESC:					
	= 0	MM	8:1	EC NO: 611291 DRWN: GSHARMA 2019/01/04 CHK'D: JKACHLIC 2019/07/18 APPR: JKACHLIC 2019/07/18 INITIAL REVISION: DRWN: KLANG 2011/09/29 APPR: MBANAKIS 2013/08/01							
	= 0										
	= 0	GENERAL TOLERANCES (UNLESS SPECIFIED)		IPASS PLUS HD - 12G EXTERNAL							
	= 0										
	= 0			PRODUCT CUSTOMER DRAWING							
	= 0										
	= 0			DOCUMENT NUMBER: SD-76866-1000 DOC TYPE: PSD DOC PART: 001 REVISION: B2							
	= 0										
	= 0			MATERIAL NUMBER: SEE CHART CUSTOMER: GENERAL MARKET SHEET NUMBER: 12 OF 12							
	= 0										
	= 0			THIRD ANGLE PROJECTION DRAWING: C-SIZE SERIES: 76866							
	= 0										
	= 0			DRAFT WHERE APPLICABLE MUST REMAIN WITHIN DIMENSIONS							
	= 0										