

TPS2561A-Q1 Dual Channel Precision Automotive Adjustable Current-Limited Power Switches

1 Features

- AEC-Q100 Qualified
 - Device HBM ESD Classification Level H2
 - Device CDM ESD Classification Level C5
- Two separate current limiting channels
- Meets USB Current-Limiting Requirements
- Adjustable Current Limit, 250 mA–2.8 A (Typ.)
- Accurate 2.1A Min / 2.5A Max Setting
- Fast Short Circuit Response - 3.5- μ s (typ)
- Two 44-m Ω High-Side MOSFETs
- Operating Range: 2.5 V to 6.5 V
- 2- μ A Maximum Standby Supply Current
- Built-in Soft-Start
- 15 kV / 8 kV System-Level ESD Capable

2 Applications

Automotive USB Charging Ports

3 Description

The TPS2561A-Q1 is dual-channel power-distribution switch intended for automotive applications where precision current limiting is required or heavy capacitive loads and short circuits are encountered. These devices offer a programmable current-limit threshold between 250 mA and 2.8 A (typ) per channel via an external resistor. The power-switch rise and fall times are controlled to minimize current surges during turn on/off.

Each channel of the TPS2561A-Q1 devices limits the output current to a safe level by switching into a constant-current mode when the output load exceeds the current-limit threshold. The FAULTx logic output for each channel independently asserts low during overcurrent and over temperature conditions.

Use with the TPS2511-Q or TPS2513A-Q1 for a low loss, automotive qualified, USB Charging Port Solution capable of charging all of today's popular phones and tablets.

Device Information

PART NUMBER	PACKAGE	BODY SIZE (NOM)
TPS2561A-Q1	SON (10)	3.00mm x 3.00mm

Typical Application as Power Switch of Dual Port Automotive USB Charge Port Solution

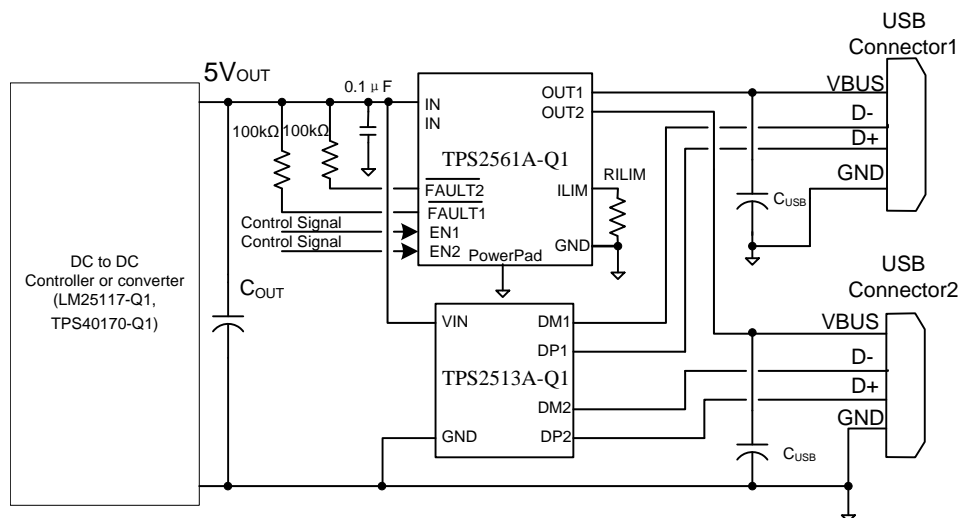


Table of Contents

1 Features	1	9.2 Functional Block Diagram	9
2 Applications	1	9.3 Feature Description	9
3 Description	1	9.4 Device Functional Mode	10
4 Revision History	2	10 Application and Implementation	11
5 Device Comparison Table	3	10.1 Application Information	11
6 Pin Functions and Configurations	3	10.2 Typical Application	11
7 Specifications	4	11 Power Supply Requirements	17
7.1 Absolute Maximum Ratings	4	12 Layout	18
7.2 Handling Ratings	4	12.1 Layout Guidelines	18
7.3 Recommended Operating Conditions	4	12.2 Layout Example	18
7.4 Thermal Information	4	13 Device and Documentation Support	19
7.5 Electrical Characteristics	5	13.1 Trademarks	19
7.6 Typical Characteristics	6	13.2 Electrostatic Discharge Caution	19
8 Parameter Measurement Information	7	13.3 Glossary	19
9 Detailed Description	9	14 Mechanical, Packaging, and Orderable Information	19
9.1 Overview	9		

4 Revision History

Changes from Original (March 2014) to Revision A

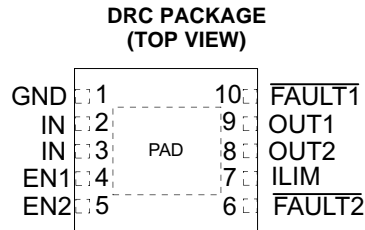
Page

• Changed Feature From: Accurate 2.1A Min / 2.5A Max Setting (Including Resistor) To: Accurate 2.1A Min / 2.5A Max Setting	1
• Changed I_{OS} , Current-limit. to include additional R_{LIM} values.	5
• Changed Equation 1	11
• Changed the Designing Above a Minimum Current Limit section	12
• Changed the Designing Below a Maximum Current Limit section	13

5 Device Comparison Table

DEVICE	MAXIMUM OPERATING CURRENT (A)	OUTPUTS	ENABLES	TYPICAL $R_{DS(on)}$ (m Ω)	PACKAGE
TPS2556-Q1	5	1	Active-low	22	SON-8 (DRB)
TPS2557-Q1	5	1	Active-high	22	SON-8 (DRB)
TPS2561A-Q1	2.5	2	Active-high	44	SON-10 (DRC)

6 Pin Functions and Configurations



Pin Functions

PIN		I/O	DESCRIPTION
NAME	NUMBER		
EN1	4	I	Enable input, logic high turns on channel one power switch
EN2	5	I	Enable input, logic high turns on channel two power switch
GND	1		Ground connection; connect externally to PowerPAD
IN	2, 3	I	Input voltage; connect a 0.1 μ F or greater ceramic capacitor from IN to GND as close to the IC as possible.
$\overline{\text{FAULT1}}$	10	O	Active-low open-drain output, asserted during overcurrent or overtemperature condition on channel one.
$\overline{\text{FAULT2}}$	6	O	Active-low open-drain output, asserted during overcurrent or overtemperature condition on channel two
OUT1	9	O	Power-switch output for channel one
OUT2	8	O	Power-switch output for channel two
ILIM	7	O	External resistor used to set current-limit threshold; recommended $20 \text{ k}\Omega \leq R_{ILIM} \leq 187 \text{ k}\Omega$.
PowerPAD™	PAD		Internally connected to GND; used to heat-sink the part to the circuit board traces. Connect PowerPAD to GND pin externally.

7 Specifications

7.1 Absolute Maximum Ratings

over operating free-air temperature range unless otherwise noted^{(1) (2)}

	MIN	MAX	UNIT
Voltage range on IN, OUTx, ENx, ILIM, $\overline{\text{FAULTx}}$	-0.3	7	V
Voltage range from IN to OUTx	-7	7	V
Continuous output current	Internally Limited		
Continuous $\overline{\text{FAULTx}}$ sink current		25	mA
ILIM source current	Internally Limited		mA
T _J Maximum junction temperature	-40	Internally Limited	°C

- (1) Stresses beyond those listed under *absolute maximum ratings* may cause permanent damage to the device. These are stress ratings only, and functional operation of the device at these or any other conditions beyond those indicated under *recommended operating conditions* is not implied. Exposure to absolute-maximum-rated conditions for extended periods may affect device reliability.
- (2) Voltages are referenced to GND unless otherwise noted.

7.2 Handling Ratings

		MIN	MAX	UNIT
T _{STG}	Storage temperature range	-65	150	°C
V _{ESD} ⁽¹⁾	Human Body Model (HBM)	AEC-Q100 Classification Level H2	2	kV
	Charged Device Model (CDM)	AEC-Q100 Classification Level C5	750	V
	System level (contact/air)		8/15 ⁽²⁾	kV

- (1) Electrostatic discharge (ESD) to measure device sensitivity and immunity to damage caused by assembly line electrostatic discharges in to the device.
- (2) Surges per EN61000-4-2, 1999 applied between USB connection for V_{BUS} and GND of the TPS2560EVM (HPA424, replacing TPS2560 with TPS2561A-Q1) evaluation module (documentation available on the Web.) These were the test level, no the failure threshold.

7.3 Recommended Operating Conditions

		MIN	MAX	UNIT
V _{IN}	Input voltage, IN	2.5	6.5	V
V _{ENx}	Enable voltage	0	6.5	V
V _{IH}	High-level input voltage on ENx	1.1		V
V _{IL}	Low-level input voltage on ENx		0.66	
I _{OUTx}	Continuous output current per channel, OUTx	0	2.5	A
	Continuous $\overline{\text{FAULTx}}$ sink current	0	10	mA
T _J	Operating junction temperature	-40	125	°C
R _{ILIM}	Recommended resistor limit range	20	187	kΩ

7.4 Thermal Information⁽¹⁾

THERMAL METRIC	TPS2561A-Q1		UNIT
	DRC (10 TERMINALS)		
θ _{JA}	Junction-to-ambient thermal resistance	38.1	°C/W
θ _{JCtop}	Junction-to-case (top) thermal resistance	40.5	
θ _{JB}	Junction-to-board thermal resistance	13.6	
ψ _{JT}	Junction-to-top characterization parameter	0.6	
ψ _{JB}	Junction-to-board characterization parameter	13.7	
θ _{JCbot}	Junction-to-case (bottom) thermal resistance	3.4	

- (1) For more information about traditional and new thermal metrics, see the IC Package Thermal Metrics application report, [SPRA953](#).

7.5 Electrical Characteristics

over recommended operating conditions, $V_{ENx} = V_{IN}$ (unless otherwise noted)

PARAMETER		TEST CONDITIONS ⁽¹⁾		MIN	TYP	MAX	UNIT
POWER SWITCH							
$r_{DS(on)}$	Static drain-source on-state resistance per channel, IN to OUTx	$T_J = 25^\circ\text{C}$ $-40^\circ\text{C} \leq T_J \leq 125^\circ\text{C}$		44	50		m Ω
t_r	Rise time, output	$V_{IN} = 6.5\text{ V}$ $V_{IN} = 2.5\text{ V}$	$C_{Lx} = 1\ \mu\text{F}$, $R_{Lx} = 100\ \Omega$, (see Figure 9)	1.5	3	4	ms
t_f	Fall time, output	$V_{IN} = 6.5\text{ V}$ $V_{IN} = 2.5\text{ V}$		0.5	0.8	1.0	
				0.3	0.6	0.8	
ENABLE INPUT EN							
	Enable pin turn on/off threshold			0.66		1.1	V
	Hysteresis				55 ⁽²⁾		mV
I_{EN}	Input current	$V_{ENx} = 0\text{ V}$ or 6.5 V		-0.5		0.5	μA
t_{on}	Turnon time	$C_{Lx} = 1\ \mu\text{F}$, $R_{Lx} = 100\ \Omega$, (see Figure 9)				9	ms
t_{off}	Turnoff time						6
CURRENT LIMIT							
I_{OS}	Current-limit (see Figure 11)	OUTx connected to GND	$R_{ILIM} = 20\text{ k}\Omega$	2560	2750	2980	mA
			$R_{ILIM} = 24.3\text{ k}\Omega$	2100	2250	2500	
			$R_{ILIM} = 61.9\text{ k}\Omega$	800	900	1005	
			$R_{ILIM} = 100\text{ k}\Omega$	470	560	645	
		OUT1 and OUT2 connected to GND	$R_{ILIM} = 47.5\text{ k}\Omega$	2100	2300	2500	
t_{IOS}	Response time to short circuit	$V_{IN} = 5\text{ V}$ (see Figure 10)				3.5 ⁽²⁾	μs
SUPPLY CURRENT							
$I_{IN(off)}$	Supply current, low-level output	$V_{IN} = 6.5\text{ V}$, No load on OUTx, $V_{ENx} = 0\text{ V}$		0.1		2.0	μA
$I_{IN(on)}$	Supply current, high-level output	$V_{IN} = 6.5\text{ V}$, No load on OUT	$R_{ILIM} = 20\text{ k}\Omega$		100	125	μA
			$R_{ILIM} = 100\text{ k}\Omega$		85	110	μA
I_{REV}	Reverse leakage current	$V_{OUTx} = 6.5\text{ V}$, $V_{IN} = 0\text{ V}$	$T_J = 25^\circ\text{C}$		0.01	1.0	μA
UNDERVOLTAGE LOCKOUT							
V_{UVLO}	Low-level input voltage, IN	V_{IN} rising		2.35		2.45	V
	Hysteresis, IN	$T_J = 25^\circ\text{C}$			35 ⁽²⁾		mV
FAULTx FLAG							
V_{OL}	Output low voltage, FAULTx	$I_{FAULTx} = 1\text{ mA}$				180	mV
	Off-state leakage	$V_{FAULTx} = 6.5\text{ V}$				1	μA
	FAULTx deglitch	FAULTx assertion or de-assertion due to overcurrent condition		6	9	13	ms
THERMAL SHUTDOWN							
	Thermal shutdown threshold, OTSD2			155			$^\circ\text{C}$
	Thermal shutdown threshold in current-limit, OTSD			135			$^\circ\text{C}$
	Hysteresis				20 ⁽²⁾		$^\circ\text{C}$

- (1) Pulse-testing techniques maintain junction temperature close to ambient temperature; thermal effects must be taken into account separately.
- (2) These parameters are provided for reference only, and do not constitute part of TI's published specifications for purposes of TI's product warranty.

7.6 Typical Characteristics

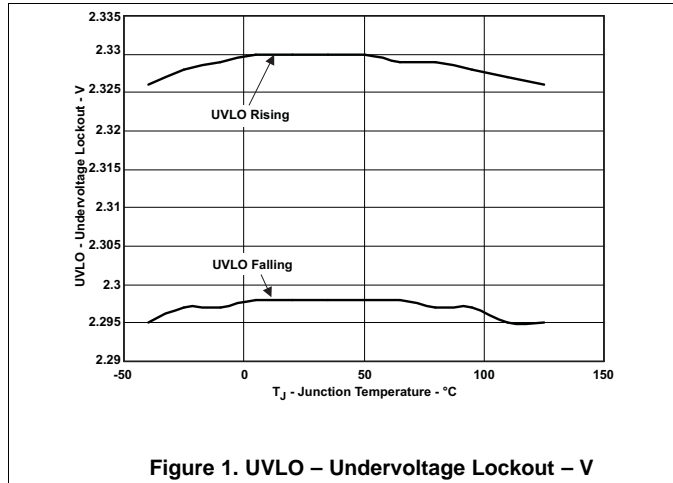


Figure 1. UVLO – Undervoltage Lockout – V

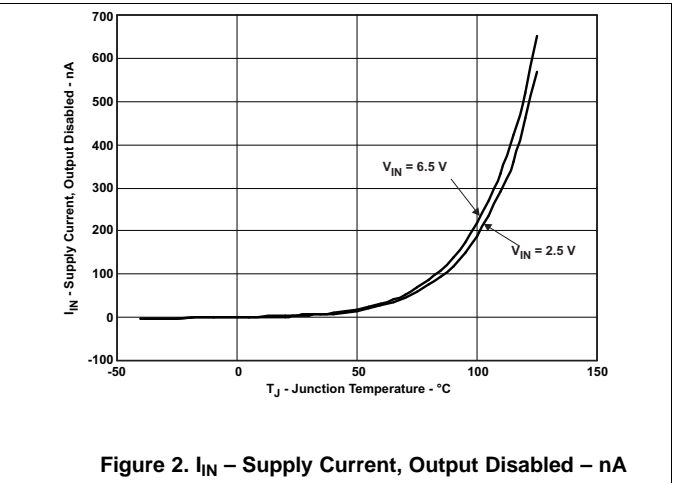
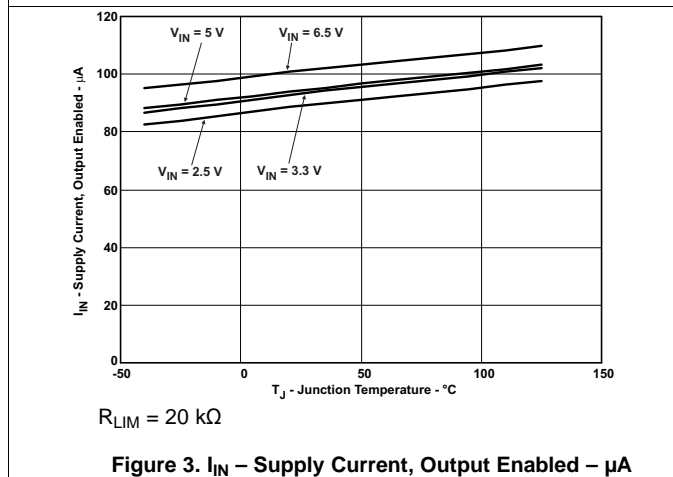
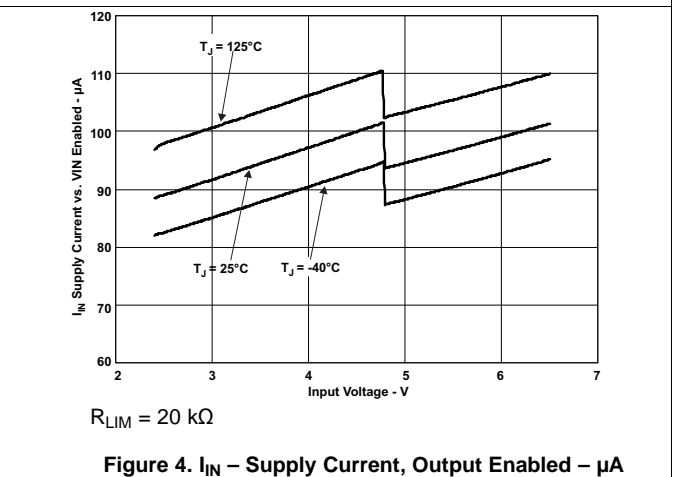


Figure 2. I_{IN} – Supply Current, Output Disabled – nA



$R_{LIM} = 20\text{ k}\Omega$

Figure 3. I_{IN} – Supply Current, Output Enabled – μA



$R_{LIM} = 20\text{ k}\Omega$

Figure 4. I_{IN} – Supply Current, Output Enabled – μA

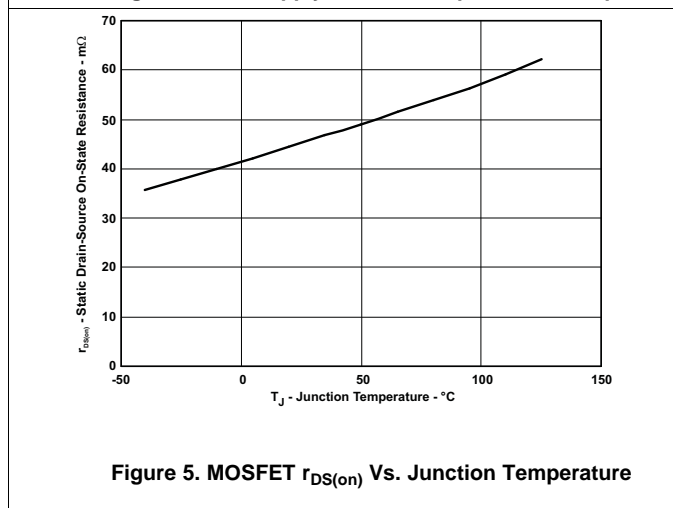
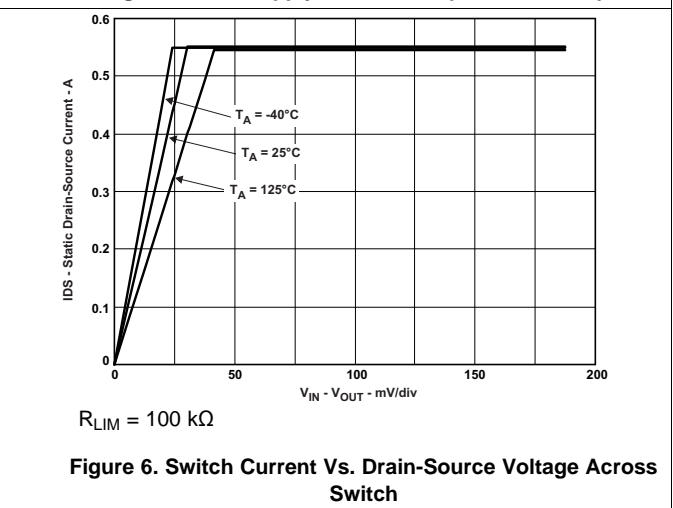


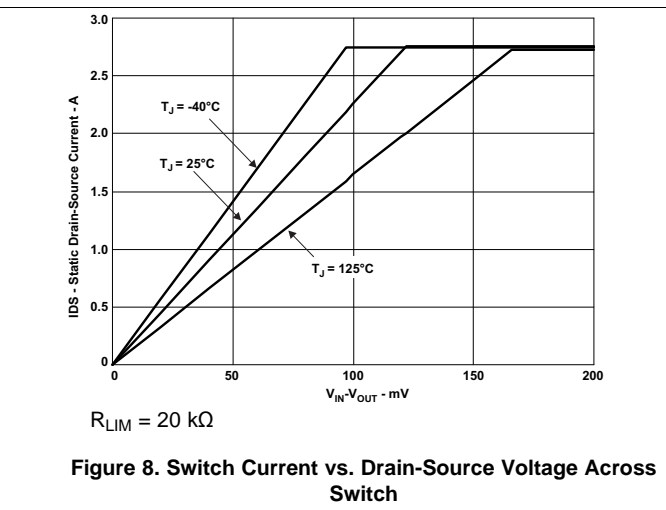
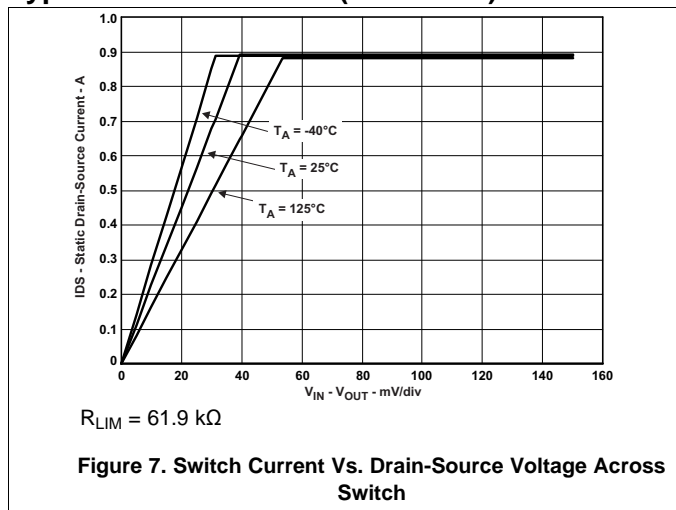
Figure 5. MOSFET $r_{DS(on)}$ Vs. Junction Temperature



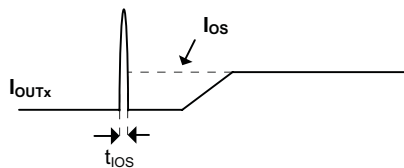
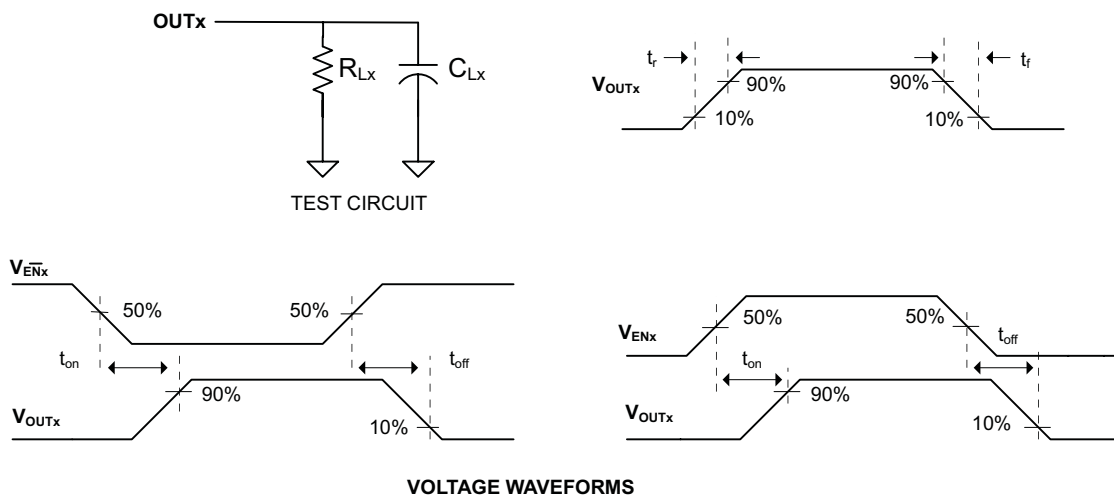
$R_{LIM} = 100\text{ k}\Omega$

Figure 6. Switch Current Vs. Drain-Source Voltage Across Switch

Typical Characteristics (continued)



8 Parameter Measurement Information



Parameter Measurement Information (continued)

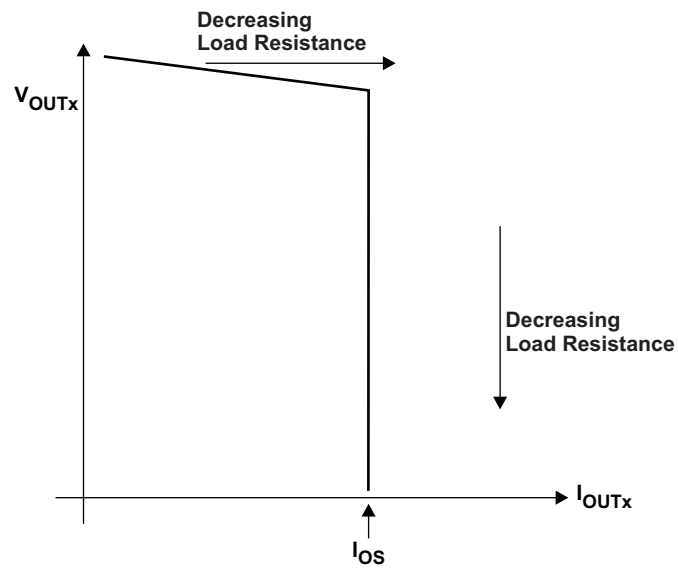


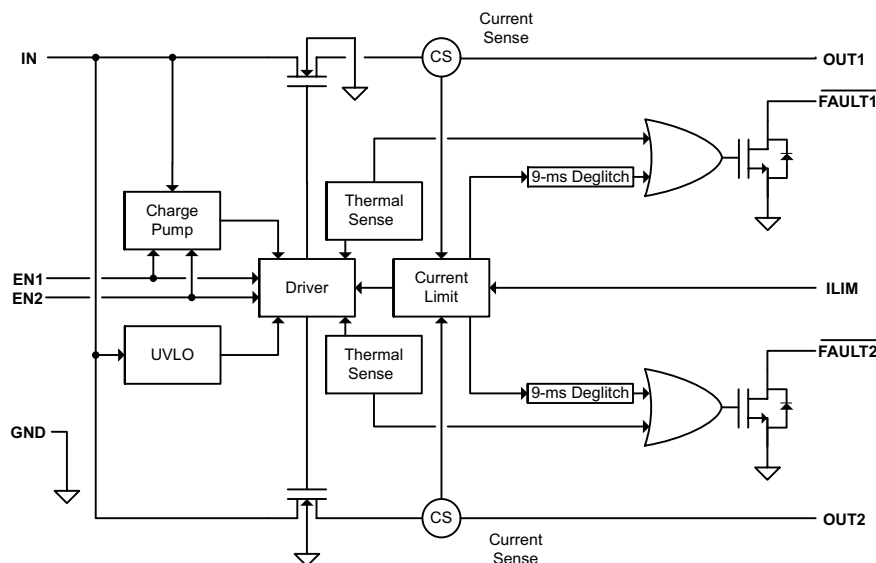
Figure 11. Output Voltage vs. Current-Limit Threshold

9 Detailed Description

9.1 Overview

The TPS2561A-Q1 is a dual-channel, current-limited power-distribution switch using N-channel MOSFETs for automotive applications where short circuits or heavy capacitive loads will be encountered. This device allows the user to program the current-limit threshold between 250 mA and 2.8 A (typ) per channel via an external resistor. This device incorporates an internal charge pump and gate drive circuitry necessary to drive the N-channel MOSFETs. The charge pump supplies power to the driver circuit for each channel and provides the necessary voltage to pull the gate of the MOSFET above the source. The charge pump operates from input voltages as low as 2.5 V and requires little supply current. The driver controls the gate voltage of the power switch. The driver incorporates circuitry that controls the rise and fall times of the output voltage to limit large current and voltage surges and provides built-in soft-start functionality. Each channel of the TPS2561A-Q1 limits the output current to the programmed current-limit threshold I_{OS} during an overcurrent or short-circuit event by reducing the charge pump voltage driving the N-channel MOSFET and operating it in the linear range of operation. The result of limiting the output current to I_{OS} reduces the output voltage at OUTx because the N-channel MOSFET is no longer fully enhanced.

9.2 Functional Block Diagram



9.3 Feature Description

9.3.1 Overcurrent Conditions

The TPS2561A-Q1 responds to overcurrent conditions by limiting the output current per channel to I_{OS} . When an overcurrent condition is detected, the device maintains a constant output current and reduces the output voltage accordingly. Two possible overload conditions can occur.

The first condition is when a short circuit or partial short circuit is present when the device is powered-up or enabled. The output voltage is held near zero potential with respect to ground and the TPS2561A-Q1 ramps the output current to I_{OS} . The TPS2561A-Q1 devices will limit the current to I_{OS} until the overload condition is removed or the device begins to thermal cycle.

The second condition is when a short circuit, partial short circuit, or transient overload occurs while the device is enabled and powered on. The device responds to the overcurrent condition within time t_{IOS} (see Figure 10). The current-sense amplifier is overdriven during this time and momentarily disables the internal current-limit MOSFET. The current-sense amplifier recovers and ramps the output current to I_{OS} . Similar to the previous case, the TPS2561A-Q1 will limit the current to I_{OS} until the overload condition is removed or the device begins to thermal cycle.

Feature Description (continued)

The TPS2561A-Q1 thermal cycles if an overload condition is present long enough to activate thermal limiting in any of the above cases. The device turns off when the junction temperature exceeds 135°C (min) while in current limit. The device remains off until the junction temperature cools 20°C (typ) and then restarts. The TPS2561A-Q1 cycles on/off until the overload is removed (see [Figure 20](#)).

9.3.2 FAULTx Response

The FAULTx open-drain outputs are asserted (active low) on an individual channel during an overcurrent or overtemperature condition. The TPS2561A-Q1 asserts the FAULTx signal until the fault condition is removed and the device resumes normal operation on that channel. The TPS2561A-Q1 is designed to eliminate false FAULTx reporting by using an internal delay "deglitch" circuit (9-ms typ) for overcurrent conditions without the need for external circuitry. This ensures that FAULTx is not accidentally asserted due to normal operation such as starting into a heavy capacitive load. The deglitch circuitry delays entering and leaving current-limited induced fault conditions. The FAULTx signal is not deglitched when the MOSFET is disabled due to an overtemperature condition but is deglitched after the device has cooled and begins to turn on. This unidirectional deglitch prevents FAULTx oscillation during an overtemperature event.

9.3.3 Thermal Sense

The TPS2561A-Q1 self protects by using two independent thermal sensing circuits that monitor the operating temperature of the power switch and disable operation if the temperature exceeds recommended operating conditions. Each channel of the TPS2561A-Q1 operates in constant-current mode during an overcurrent condition, which increases the voltage drop across the power switch. The power dissipation in the package is proportional to the voltage drop across the power switch, which increases the junction temperature during an overcurrent condition. The first thermal sensor (OTSD) turns off the individual power switch channel when the die temperature exceeds 135°C (min) and the channel is in current limit. Hysteresis is built into the thermal sensor, and the switch turns on after the device has cooled approximately 20°C.

The TPS2561A-Q1 also has a second ambient thermal sensor (OTSD2). The ambient thermal sensor turns off both power switch channels when the die temperature exceeds 155°C (min) regardless of whether the power switch channels are in current limit and will turn on the power switches after the device has cooled approximately 20°C. The TPS2561A-Q1 continues to cycle off and on until the fault is removed.

9.4 Device Functional Mode

9.4.1 Undervoltage Lockout (UVLO)

The undervoltage lockout (UVLO) circuit disables the power switch until the input voltage reaches the UVLO turn-on threshold. Built-in hysteresis prevents unwanted on/off cycling due to input voltage droop during turn on.

9.4.2 Enable (ENx)

The logic enables control the power switches and device supply current. The supply current is reduced to less than 2- μ A when a logic low is present on ENx. A logic high input on ENx enables the driver, control circuits, and power switches. The enable inputs are compatible with both TTL and CMOS logic levels.

10 Application and Implementation

10.1 Application Information

The device is current-limited, power-distribution switch. It would limit the output current to IOS when short circuits or heavy capacitive loads are encountered.

10.2 Typical Application

10.2.1 Design Current Limit

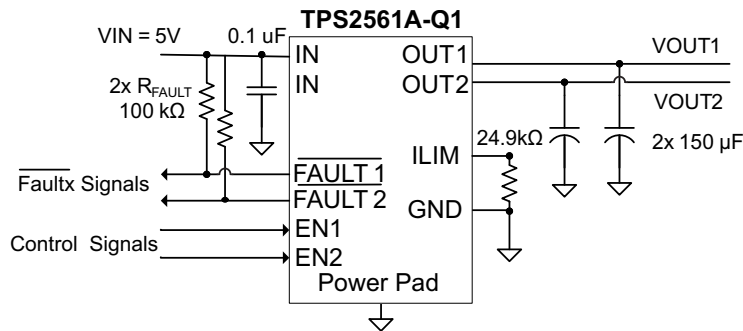


Figure 12. Typical Characteristics Reference Schematic

10.2.1.1 Design Requirements

For this design example, use the following as the input parameters.

Table 1. Design Parameters

DESIGN PARAMTER	EXAMPLE VALUE
Input voltage	5V
Minimum current limit	2A
Maximum current limit	1A

10.2.1.2 Detailed Design Procedure

10.2.1.2.1 Determine Design Parameters

Beginning the design process requires deciding on a few parameters. The designer must know the following:

- Input voltage
- Minimum current limit
- Maximum current limit

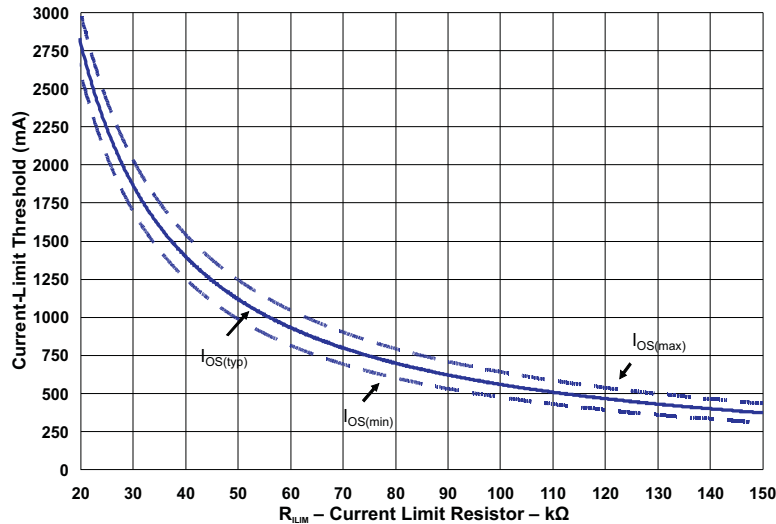
10.2.1.2.2 Programming the Current-Limit Threshold

The overcurrent threshold is user programmable via an external resistor, R_{ILIM} . R_{ILIM} sets the current-limit threshold for both channels. The TPS2561A-Q1 use an internal regulation loop to provide a regulated voltage on the ILIM pin. The current-limit threshold is proportional to the current sourced out of ILIM. The recommended 1% resistor range for R_{ILIM} is $20\text{ k}\Omega \leq R_{ILIM} \leq 187\text{ k}\Omega$ to ensure stability of the internal regulation loop. Many applications require that the minimum current limit is above a certain current level or that the maximum current limit is below a certain current level, so it is important to consider the tolerance of the overcurrent threshold when selecting a value for R_{ILIM} . The following equations calculates the resulting overcurrent threshold for a given external resistor value (R_{ILIM}). The traces routing the R_{ILIM} resistor to the TPS2561A-Q1 should be as short as possible to reduce parasitic effects on the current-limit accuracy.

$$I_{OSmax} (mA) = \frac{49497V}{R_{(ILIM)}^{0.933} k\Omega} - 37$$

$$I_{OSnom} (mA) = \frac{53098V}{R_{(ILIM)}^{0.989} k\Omega}$$

$$I_{OSmin} (mA) = \frac{50576V}{R_{(ILIM)}^{0.987} k\Omega} - 64 \tag{1}$$


Figure 13. Current-Limit Threshold vs. R_{ILIM}

10.2.1.2.3 Designing Above a Minimum Current Limit

Some applications require that current limiting cannot occur below a certain threshold. For this example, assume that 2 A must be delivered to the load so that the minimum desired current-limit threshold is 2000 mA. Use the I_{OS} equations and [Figure 13](#) to select R_{ILIM} .

$$I_{OSmin} (mA) = 2000 \text{ mA}$$

$$I_{OSmin} (mA) = \frac{50576V}{R_{(ILIM)}^{0.987} k\Omega} - 64$$

$$R_{(ILIM)} (k\Omega) = \left(\frac{50576}{I_{OS(min)} + 64} \right)^{\frac{1}{0.987}} = \left(\frac{50576}{2000 + 64} \right)^{\frac{1}{0.987}} = 25.56k\Omega \tag{2}$$

Select the closest 1% resistor less than the calculated value: $R_{ILIM} = 25.5 \text{ k}\Omega$. This sets the minimum current-limit threshold at 2005 mA .

$$I_{OSmin} (mA) = \frac{50576}{R_{(ILIM)}^{0.987} k\Omega} - 64 = \frac{50576}{(25.5)^{0.987}} - 64 = 2005 \text{ mA} \tag{3}$$

Use the I_{OS} equations, [Figure 13](#), and the previously calculated value for R_{ILIM} to calculate the maximum resulting current-limit threshold at 2374 mA.

$$I_{OSmax} (mA) = \frac{49497}{R_{(ILIM)}^{0.933}} - 37 = \frac{49497}{(25.5)^{0.933}} - 37 = 2374 \text{ mA} \tag{4}$$

10.2.1.2.4 Designing Below a Maximum Current Limit

Some applications require that current limiting must occur below a certain threshold. For this example, assume that 1 A must be delivered to the load so that the minimum desired current-limit threshold is 1000 mA. Use the I_{OS} equations and [Figure 13](#) to select R_{ILIM} .

$$I_{OSmax}(mA) = 1000 \text{ mA}$$

$$I_{OSmax}(mA) = \frac{49497}{R_{(ILIM)}^{0.933} k\Omega} - 37$$

$$R_{(ILIM)}(k\Omega) = \left(\frac{49497}{I_{OS(max)}} \right)^{\frac{1}{0.933}} = \left(\frac{49497}{1000 + 37} \right)^{\frac{1}{0.933}} = 63k\Omega \quad (5)$$

Select the closest 1% resistor greater than the calculated value: $R_{ILIM} = 63.4 \text{ k}\Omega$. This sets the maximum current-limit threshold at 994 A.

$$I_{OSmax}(mA) = \frac{49497}{R_{(ILIM)}^{0.933} k\Omega} - 37 = \frac{49497}{(63.4)^{0.933}} - 37 = 994 \text{ mA} \quad (6)$$

Use the I_{OS} equations, [Figure 13](#), and the previously calculated value for R_{ILIM} to calculate the minimum resulting current-limit threshold at 778 mA.

$$I_{OSmin}(mA) = \frac{50576}{R_{(ILIM)}^{0.987}} - 64 = \frac{50576}{(63.4)^{0.987}} - 64 = 778 \text{ mA} \quad (7)$$

10.2.1.2.5 Accounting for Resistor Tolerance

The previous sections described the selection of R_{ILIM} given certain application requirements and the importance of understanding the current-limit threshold tolerance. The analysis focused only on the TPS2561A-Q1 performance and assumed an exact resistor value. However, resistors sold in quantity are not exact and are bounded by an upper and lower tolerance centered around a nominal resistance. The additional R_{ILIM} resistance tolerance directly affects the current-limit threshold accuracy at a system level. The following table shows a process that accounts for worst-case resistor tolerance assuming 1% resistor values. Step one follows the selection process outlined in the application examples above. Step two determines the upper and lower resistance bounds of the selected resistor. Step three uses the upper and lower resistor bounds in the I_{OS} equations to calculate the threshold limits. It is important to use tighter tolerance resistors, that is, 0.5% or 0.1%, when precision current limiting is desired.

Table 2. Common R_{ILIM} Resistor Selections

Desired Nominal Current Limit (mA)	Ideal Resistor (kΩ)	Closest 1% Resistor (kΩ)	Resistor Tolerance		Actual Limits		
			1% low (kΩ)	1% high (kΩ)	IOS MIN (mA)	IOS Nom (mA)	IOS MAX (mA)
300	187.5	187	185.1	188.9	223	301	342
550	101.6	102	101.0	103.0	457	548	631
800	69.5	69.8	69.1	70.5	694	797	914
1050	52.8	52.3	51.8	52.8	944	1060	1208
1300	42.6	42.2	41.8	42.6	1182	1311	1484
1550	35.6	35.7	35.3	36.1	1406	1547	1741
1800	30.6	30.9	30.6	31.2	1631	1784	1998
2050	26.9	26.7	26.4	27.0	1894	2062	2295
2300	23.9	23.7	23.5	23.9	2138	2320	2569
2550	21.5	21.5	21.3	21.7	2360	2554	2817
2800	19.6	19.6	19.4	19.8	2592	2799	3075

10.2.1.2.6 Power Dissipation and Junction Temperature

The low on-resistance of the N-channel MOSFET allows small surface-mount packages to pass large currents. It is good design practice to estimate power dissipation and junction temperature. The below analysis gives an approximation for calculating junction temperature based on the power dissipation in the package. However, it is important to note that thermal analysis is strongly dependent on additional system level factors. Such factors include air flow, board layout, copper thickness and surface area, and proximity to other devices dissipating power. Good thermal design practice must include all system level factors in addition to individual component analysis.

Begin by determining the $r_{DS(on)}$ of the N-channel MOSFET relative to the input voltage and operating temperature. As an initial estimate, use the highest operating ambient temperature of interest and read $R_{DS(on)}$ from the typical characteristics graph. Using this value, the power dissipation can be calculated by:

$$P_D = (R_{DS(on)} \times I_{OUT1}^2) + (R_{DS(on)} \times I_{OUT2}^2)$$

Where:

P_D = Total power dissipation (W)

$r_{DS(on)}$ = Power switch on-resistance of one channel (Ω)

I_{OUTx} = Maximum current-limit threshold set by R_{ILIM} (A)

This step calculates the total power dissipation of the N-channel MOSFET.

Finally, calculate the junction temperature:

$$T_J = P_D \times \theta_{JA} + T_A$$

Where:

T_A = Ambient temperature ($^{\circ}\text{C}$)

θ_{JA} = Thermal resistance ($^{\circ}\text{C}/\text{W}$)

P_D = Total power dissipation (W)

Compare the calculated junction temperature with the initial estimate. If they are not within a few degrees, repeat the calculation using the "refined" $R_{DS(on)}$ from the previous calculation as the new estimate. Two or three iterations are generally sufficient to achieve the desired result. The final junction temperature is highly dependent on thermal resistance θ_{JA} , and thermal resistance is highly dependent on the individual package and board layout. The [Thermal Characteristics Table](#) provides example thermal resistances for specific packages and board layouts.

10.2.1.2.7 Auto-Retry Functionality

Some applications require that an overcurrent condition disables the part momentarily during a fault condition and re-enables after a pre-set time. This auto-retry functionality can be implemented with an external resistor and capacitor. During a fault condition, $\overline{\text{FAULT}}_x$ pulls EN_x low disabling the part. The part is disabled when EN_x is pulled below the turn-off threshold, and $\overline{\text{FAULT}}_x$ goes high impedance allowing C_{RETRY} to begin charging. The part re-enables when the voltage on EN_x reaches the turn-on threshold, and the auto-retry time is determined by the resistor, capacitor time constant. The part will continue to cycle in this manner until the fault condition is removed.

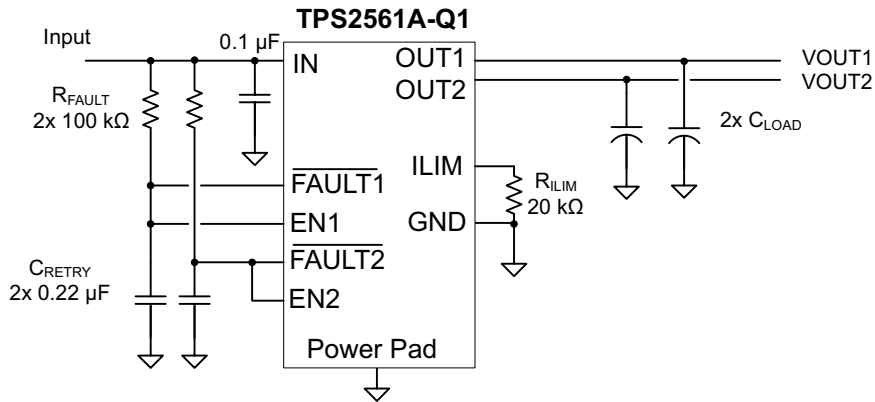


Figure 14. Auto-Retry Functionality

Some applications require auto-retry functionality and the ability to enable/disable with an external logic signal. The figure below shows how an external logic signal can drive EN through R_{FAULT} and maintain auto-retry functionality. The resistor/capacitor time constant determines the auto-retry time-out period.

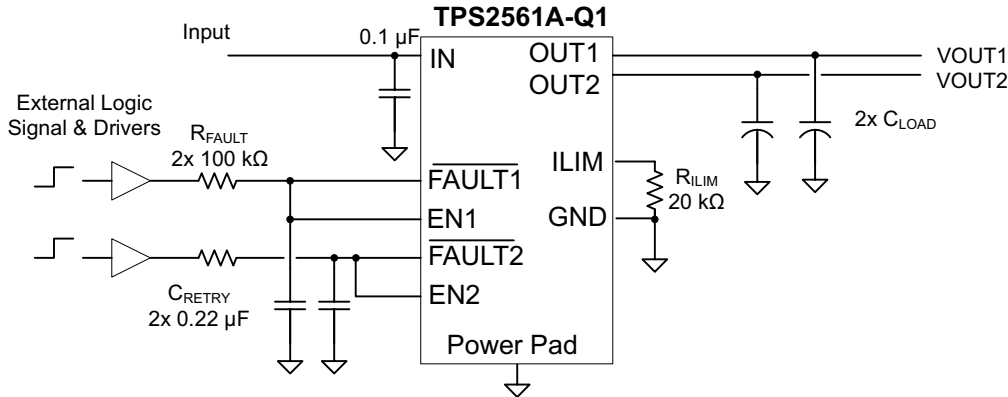


Figure 15. Auto-Retry Functionality With External EN Signal

10.2.1.2.8 Two-Level Current-Limit Circuit

Some applications require different current-limit thresholds depending on external system conditions. [Figure 16](#) shows an implementation for an externally controlled, two-level current-limit circuit. The current-limit threshold is set by the total resistance from ILIM to GND (see previously discussed *Programming the Current-Limit Threshold* section). A logic-level input enables/disables MOSFET Q1 and changes the current-limit threshold by modifying the total resistance from ILIM to GND. Additional MOSFET/resistor combinations can be used in parallel to increase the number of additional current-limit levels.

NOTE

ILIM should never be driven directly with an external signal.

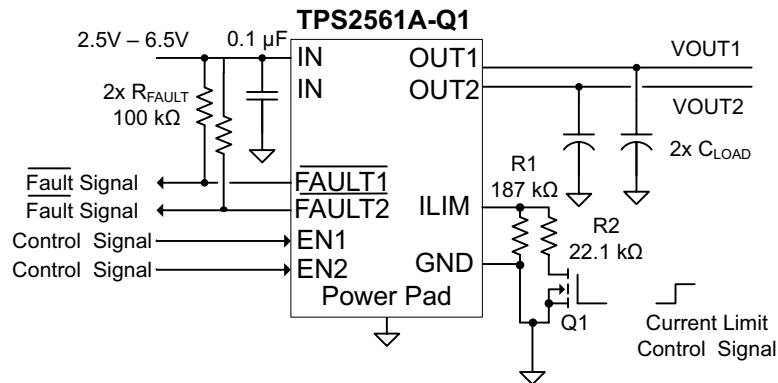


Figure 16. Two-Level Current-Limit Circuit

10.2.2 Application Curves

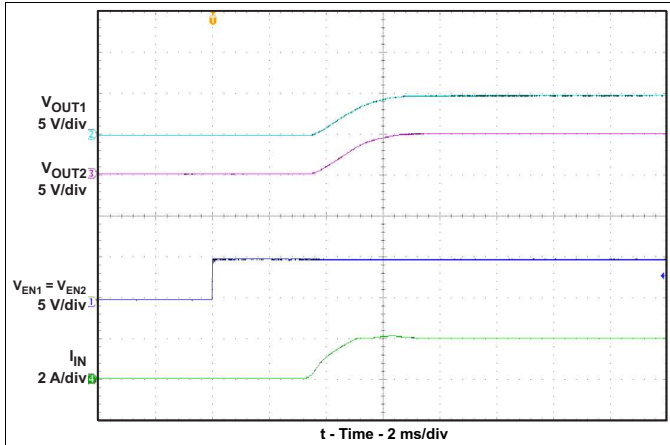


Figure 17. Turn-on Delay and Rise Time

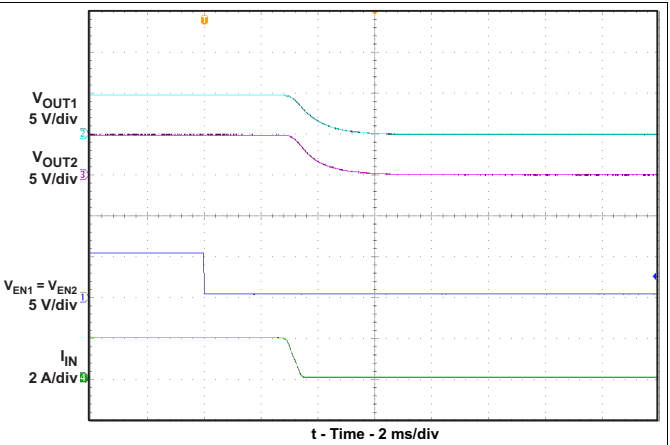


Figure 18. Turn-off Delay and Fall Time

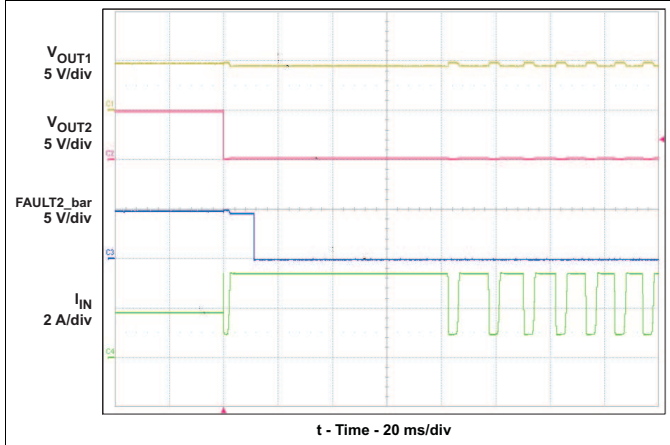


Figure 19. Full-Load to Short-Circuit Transient Response

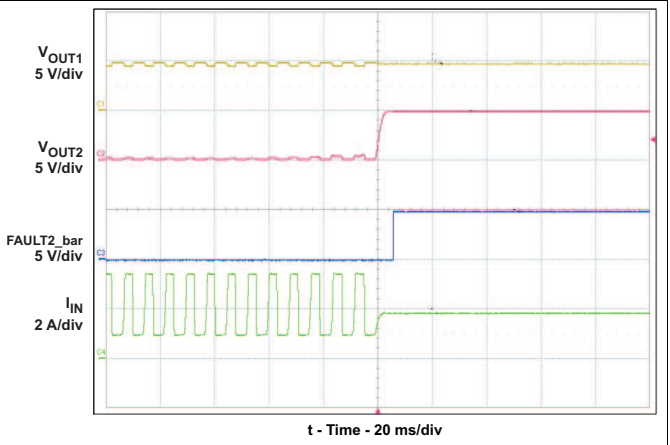


Figure 20. Short-Circuit to Full-Load Recovery Response

11 Power Supply Requirements

The device is designed to operate from an input voltage supply range of 2.5 V to 6.5 V. The current capability of upper power should exceed the max current limit of the power switch.

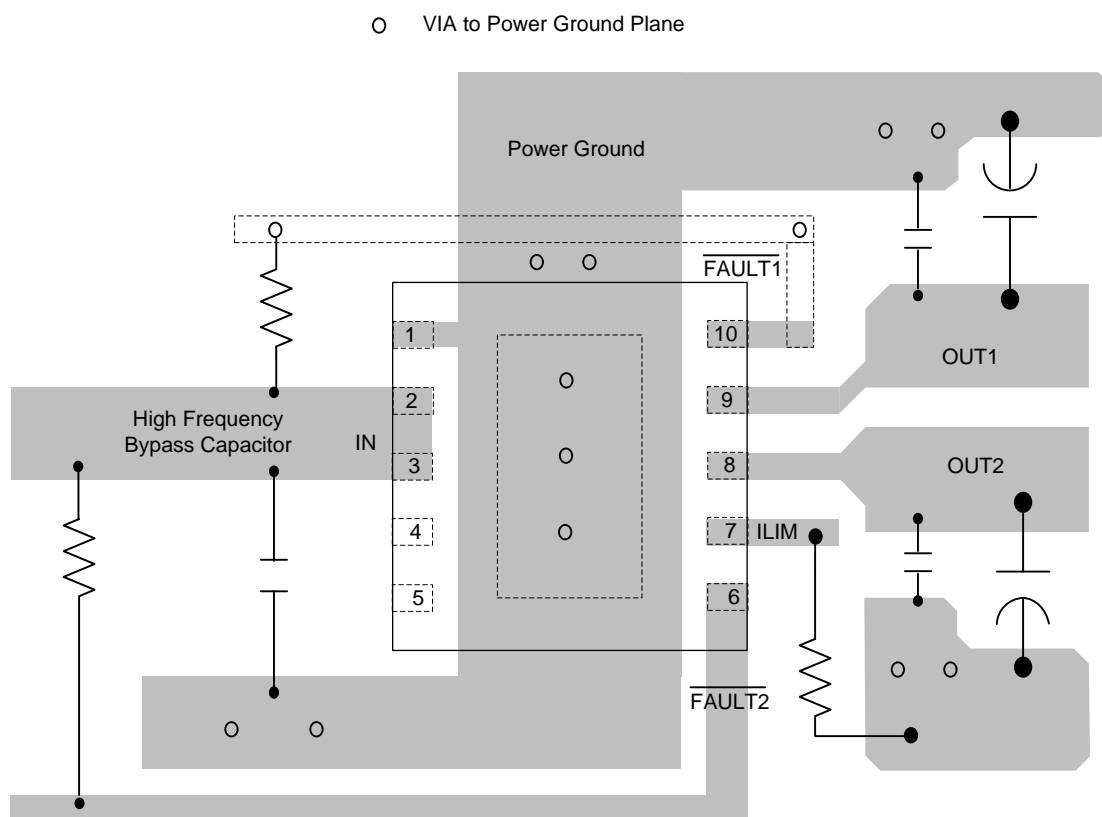
12 Layout

12.1 Layout Guidelines

For all applications, a 0.1- μF or greater ceramic bypass capacitor between IN and GND is recommended as close to the device as possible for local noise decoupling. This precaution reduces ringing on the input due to power-supply transients. Additional input capacitance may be needed on the input to reduce voltage overshoot from exceeding the absolute-maximum voltage of the device during heavy transient conditions.

- Output capacitance is not required, but placing a high-value electrolytic capacitor on the output pin is recommended when large transient currents are expected on the output.
- The traces routing the R_{ILIM} resistor to the device should be as short as possible to reduce parasitic effects on the current limit accuracy.
- The PowerPAD™ should be directly connected to PCB ground plane using wide and short copper trace.

12.2 Layout Example



13 Device and Documentation Support

13.1 Trademarks

PowerPAD is a trademark of Texas Instruments.

13.2 Electrostatic Discharge Caution



These devices have limited built-in ESD protection. The leads should be shorted together or the device placed in conductive foam during storage or handling to prevent electrostatic damage to the MOS gates.

13.3 Glossary

[SLYZ022](#) — *TI Glossary*.

This glossary lists and explains terms, acronyms and definitions.

14 Mechanical, Packaging, and Orderable Information

The following pages include mechanical packaging and orderable information. This information is the most current data available for the designated devices. This data is subject to change without notice and revision of this document. For browser-based versions of this data sheet, refer to the left-hand navigation.

PACKAGING INFORMATION

Orderable Device	Status (1)	Package Type	Package Drawing	Pins	Package Qty	Eco Plan (2)	Lead finish/ Ball material (6)	MSL Peak Temp (3)	Op Temp (°C)	Device Marking (4/5)	Samples
TPS2561AQDRCRQ1	ACTIVE	VSON	DRC	10	3000	RoHS & Green	NIPDAU	Level-2-260C-1 YEAR	-40 to 125	2561AQ	Samples
TPS2561AQDRCTQ1	ACTIVE	VSON	DRC	10	250	RoHS & Green	NIPDAU	Level-2-260C-1 YEAR	-40 to 125	2561AQ	Samples

(1) The marketing status values are defined as follows:

ACTIVE: Product device recommended for new designs.

LIFEBUY: TI has announced that the device will be discontinued, and a lifetime-buy period is in effect.

NRND: Not recommended for new designs. Device is in production to support existing customers, but TI does not recommend using this part in a new design.

PREVIEW: Device has been announced but is not in production. Samples may or may not be available.

OBSOLETE: TI has discontinued the production of the device.

(2) **RoHS:** TI defines "RoHS" to mean semiconductor products that are compliant with the current EU RoHS requirements for all 10 RoHS substances, including the requirement that RoHS substance do not exceed 0.1% by weight in homogeneous materials. Where designed to be soldered at high temperatures, "RoHS" products are suitable for use in specified lead-free processes. TI may reference these types of products as "Pb-Free".

RoHS Exempt: TI defines "RoHS Exempt" to mean products that contain lead but are compliant with EU RoHS pursuant to a specific EU RoHS exemption.

Green: TI defines "Green" to mean the content of Chlorine (Cl) and Bromine (Br) based flame retardants meet JS709B low halogen requirements of <=1000ppm threshold. Antimony trioxide based flame retardants must also meet the <=1000ppm threshold requirement.

(3) MSL, Peak Temp. - The Moisture Sensitivity Level rating according to the JEDEC industry standard classifications, and peak solder temperature.

(4) There may be additional marking, which relates to the logo, the lot trace code information, or the environmental category on the device.

(5) Multiple Device Markings will be inside parentheses. Only one Device Marking contained in parentheses and separated by a "~" will appear on a device. If a line is indented then it is a continuation of the previous line and the two combined represent the entire Device Marking for that device.

(6) Lead finish/Ball material - Orderable Devices may have multiple material finish options. Finish options are separated by a vertical ruled line. Lead finish/Ball material values may wrap to two lines if the finish value exceeds the maximum column width.

Important Information and Disclaimer:The information provided on this page represents TI's knowledge and belief as of the date that it is provided. TI bases its knowledge and belief on information provided by third parties, and makes no representation or warranty as to the accuracy of such information. Efforts are underway to better integrate information from third parties. TI has taken and continues to take reasonable steps to provide representative and accurate information but may not have conducted destructive testing or chemical analysis on incoming materials and chemicals. TI and TI suppliers consider certain information to be proprietary, and thus CAS numbers and other limited information may not be available for release.

In no event shall TI's liability arising out of such information exceed the total purchase price of the TI part(s) at issue in this document sold by TI to Customer on an annual basis.

OTHER QUALIFIED VERSIONS OF TPS2561A-Q1 :

- Catalog: [TPS2561A](#)

NOTE: Qualified Version Definitions:

- Catalog - TI's standard catalog product

TAPE AND REEL INFORMATION

QUADRANT ASSIGNMENTS FOR PIN 1 ORIENTATION IN TAPE


*All dimensions are nominal

Device	Package Type	Package Drawing	Pins	SPQ	Reel Diameter (mm)	Reel Width W1 (mm)	A0 (mm)	B0 (mm)	K0 (mm)	P1 (mm)	W (mm)	Pin1 Quadrant
TPS2561AQDRCRQ1	VSON	DRC	10	3000	330.0	12.4	3.3	3.3	1.1	8.0	12.0	Q2
TPS2561AQDRCTQ1	VSON	DRC	10	250	180.0	12.4	3.3	3.3	1.1	8.0	12.0	Q2

TAPE AND REEL BOX DIMENSIONS


*All dimensions are nominal

Device	Package Type	Package Drawing	Pins	SPQ	Length (mm)	Width (mm)	Height (mm)
TPS2561AQDRCRQ1	VSON	DRC	10	3000	367.0	367.0	35.0
TPS2561AQDRCTQ1	VSON	DRC	10	250	210.0	185.0	35.0

GENERIC PACKAGE VIEW

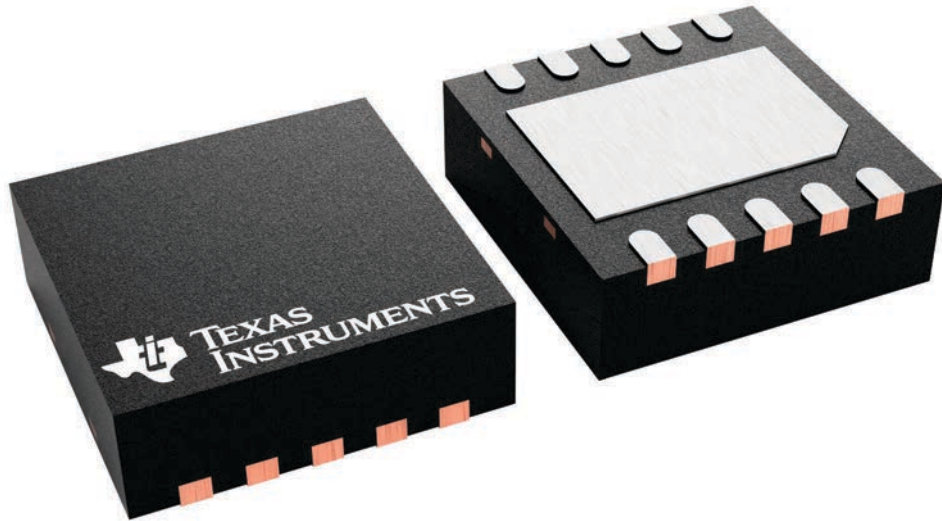
DRC 10

VSON - 1 mm max height

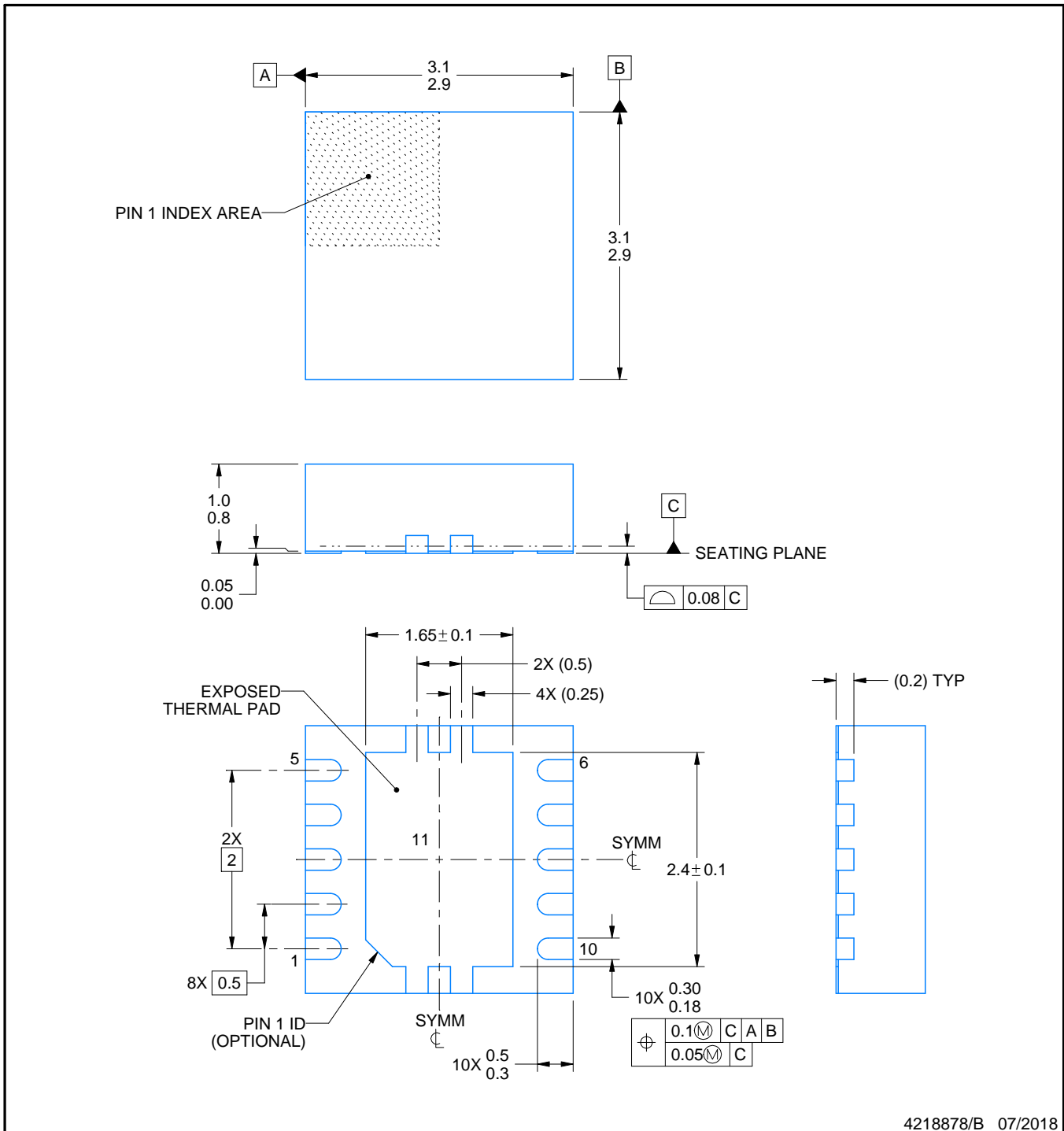
3 x 3, 0.5 mm pitch

PLASTIC SMALL OUTLINE - NO LEAD

This image is a representation of the package family, actual package may vary.
Refer to the product data sheet for package details.



4226193/A



4218878/B 07/2018

NOTES:

1. All linear dimensions are in millimeters. Any dimensions in parenthesis are for reference only. Dimensioning and tolerancing per ASME Y14.5M.
2. This drawing is subject to change without notice.
3. The package thermal pad must be soldered to the printed circuit board for optimal thermal and mechanical performance.

EXAMPLE BOARD LAYOUT

DRC0010J

VSON - 1 mm max height

PLASTIC SMALL OUTLINE - NO LEAD



LAND PATTERN EXAMPLE
EXPOSED METAL SHOWN
SCALE:20X



SOLDER MASK DETAILS

4218878/B 07/2018

NOTES: (continued)

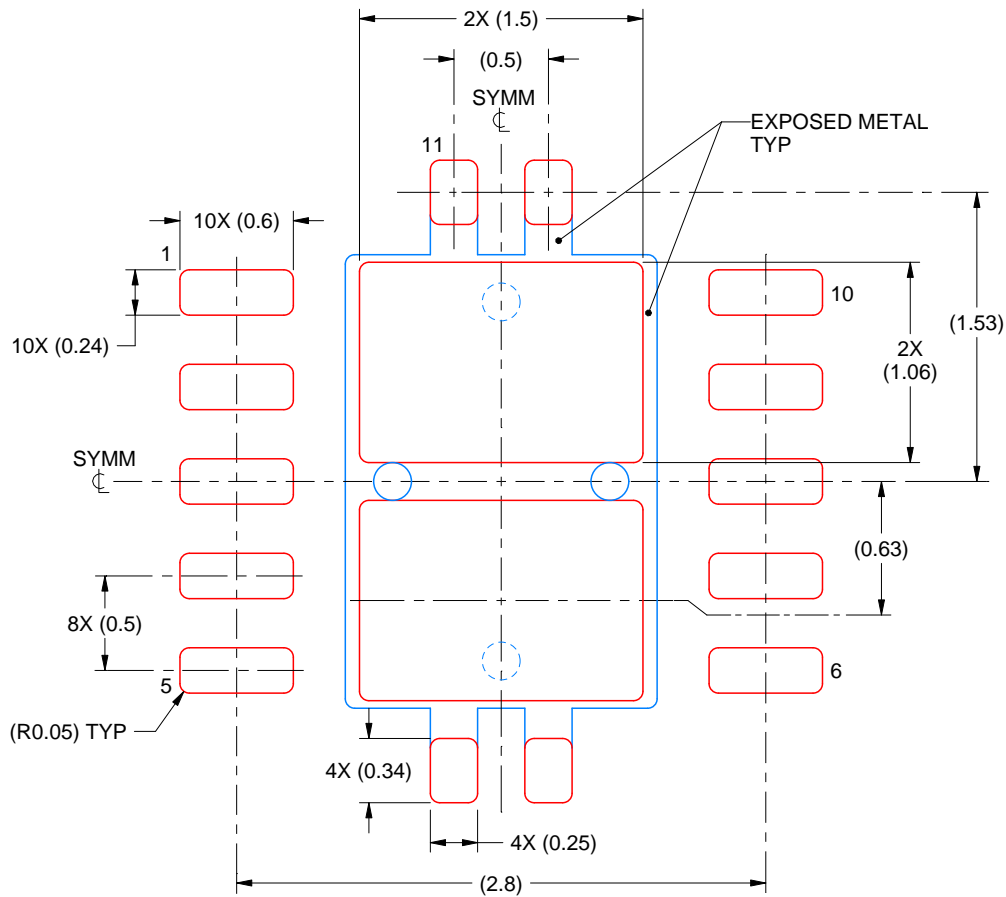
4. This package is designed to be soldered to a thermal pad on the board. For more information, see Texas Instruments literature number SLUA271 (www.ti.com/lit/sluea271).
5. Vias are optional depending on application, refer to device data sheet. If any vias are implemented, refer to their locations shown on this view. It is recommended that vias under paste be filled, plugged or tented.

EXAMPLE STENCIL DESIGN

DRC0010J

VSON - 1 mm max height

PLASTIC SMALL OUTLINE - NO LEAD



SOLDER PASTE EXAMPLE
BASED ON 0.125 mm THICK STENCIL

EXPOSED PAD 11:
80% PRINTED SOLDER COVERAGE BY AREA
SCALE:25X

4218878/B 07/2018

NOTES: (continued)

6. Laser cutting apertures with trapezoidal walls and rounded corners may offer better paste release. IPC-7525 may have alternate design recommendations.

IMPORTANT NOTICE AND DISCLAIMER

TI PROVIDES TECHNICAL AND RELIABILITY DATA (INCLUDING DATASHEETS), DESIGN RESOURCES (INCLUDING REFERENCE DESIGNS), APPLICATION OR OTHER DESIGN ADVICE, WEB TOOLS, SAFETY INFORMATION, AND OTHER RESOURCES "AS IS" AND WITH ALL FAULTS, AND DISCLAIMS ALL WARRANTIES, EXPRESS AND IMPLIED, INCLUDING WITHOUT LIMITATION ANY IMPLIED WARRANTIES OF MERCHANTABILITY, FITNESS FOR A PARTICULAR PURPOSE OR NON-INFRINGEMENT OF THIRD PARTY INTELLECTUAL PROPERTY RIGHTS.

These resources are intended for skilled developers designing with TI products. You are solely responsible for (1) selecting the appropriate TI products for your application, (2) designing, validating and testing your application, and (3) ensuring your application meets applicable standards, and any other safety, security, or other requirements. These resources are subject to change without notice. TI grants you permission to use these resources only for development of an application that uses the TI products described in the resource. Other reproduction and display of these resources is prohibited. No license is granted to any other TI intellectual property right or to any third party intellectual property right. TI disclaims responsibility for, and you will fully indemnify TI and its representatives against, any claims, damages, costs, losses, and liabilities arising out of your use of these resources.

TI's products are provided subject to TI's Terms of Sale (www.ti.com/legal/termsofsale.html) or other applicable terms available either on ti.com or provided in conjunction with such TI products. TI's provision of these resources does not expand or otherwise alter TI's applicable warranties or warranty disclaimers for TI products.

Mailing Address: Texas Instruments, Post Office Box 655303, Dallas, Texas 75265
Copyright © 2020, Texas Instruments Incorporated