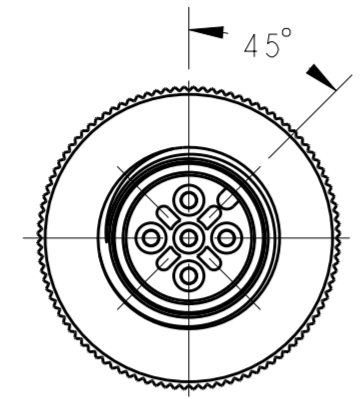
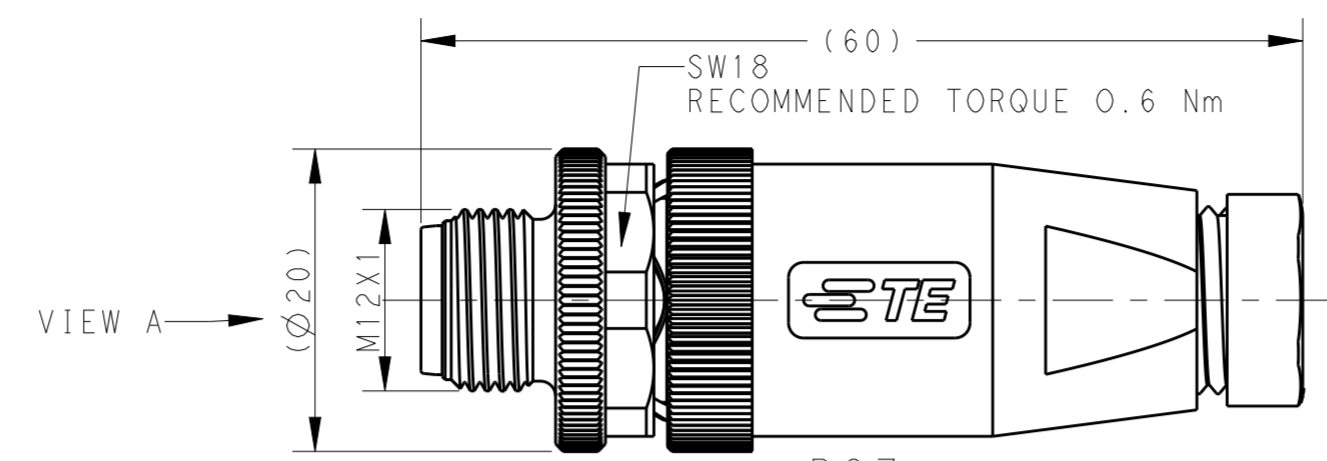


THIS DRAWING IS UNPUBLISHED. RELEASED FOR PUBLICATION 20
 © COPYRIGHT 20 BY - ALL RIGHTS RESERVED.

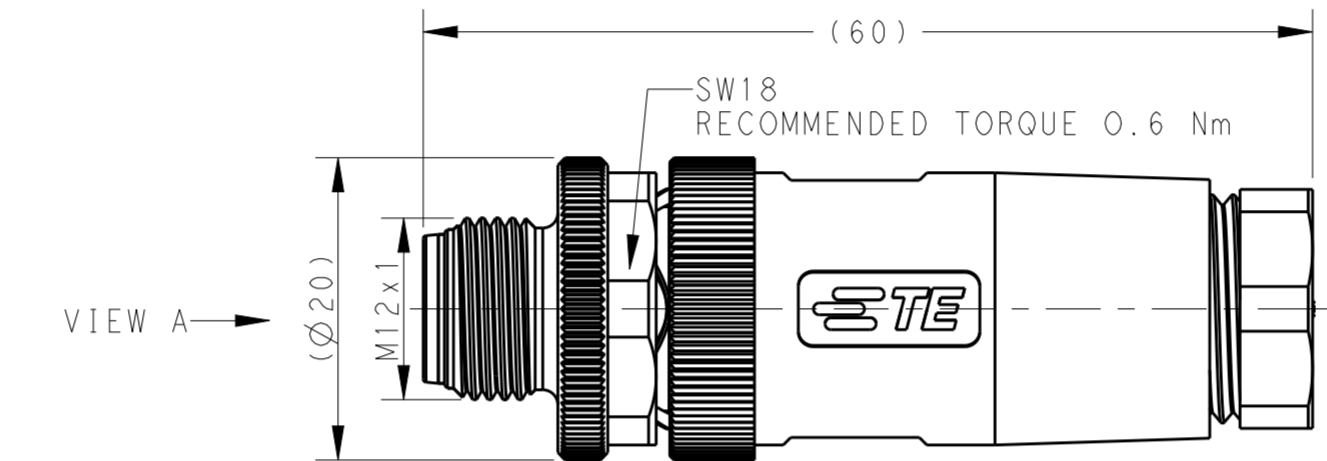
REVISIONS					
P	LTR	DESCRIPTION	DATE	DWN	APVD
A		INITIAL RELEASE	29DEC2015	NP	XX
A1		ECR-15-012625	29DEC2015	NP	XX
A2		ECR-15-018715 ADD 114 SEPC.	01JAN2016	NP	XX
A3		ECR-20-012708 ADD PG9 MODEL	16SEP2020	S.C	C.W



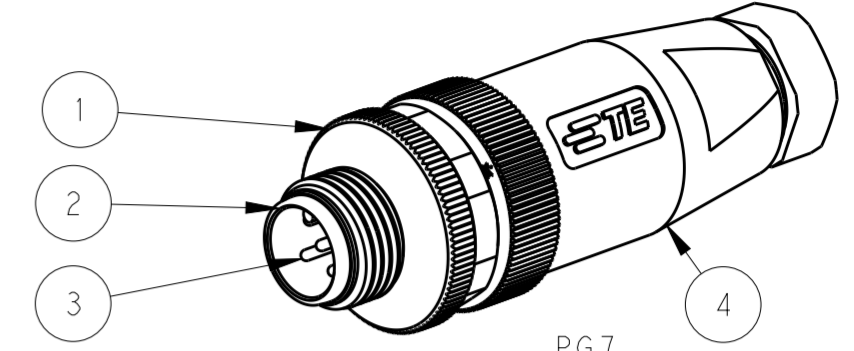
VIEW A
DETAIL SEE TABLE 1



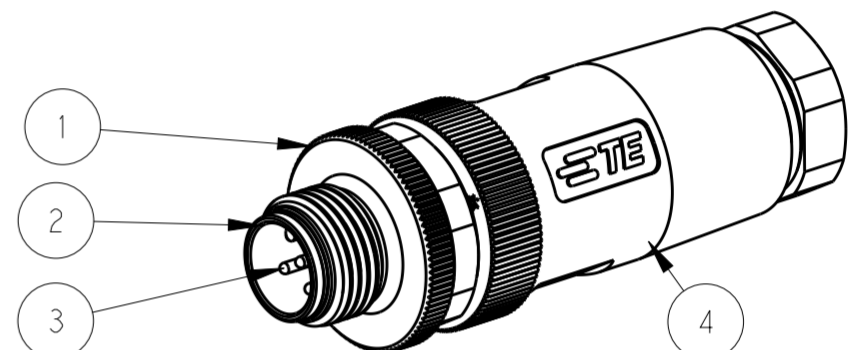
PG7
SCALE 2:1



PG9
SCALE 2:1



PG7
SCALE 3:2



PG9
SCALE 3:2

TECHNICAL DATA	T411100X02X-000	T411100X03X-000	T411100X04X-000	T411100X05X-000	T411100X08X-000
RATED VOLTAGE	250V	250V	250V	60V	30V
RATED CURRENT	4A	4A	4A	4A	2A
POLLUTION DEGREE	3	3	3	3	3
OVERVOLTAGE CATEGORY	II	II	II	II	II
MATERIAL GROUP	II	II	II	II	II
CONTACT RESISTANCE	≤8mΩ	≤8mΩ	≤8mΩ	≤8mΩ	≤8mΩ
INSULATION RESISTANCE	>100MΩ	>100MΩ	>100MΩ	>100MΩ	>100MΩ
DEGREE OF PROTECTION	IP67	IP67	IP67	IP67	IP67
OPERATION TEMPERATURE	-40~85°C	-40~85°C	-40~85°C	-40~85°C	-40~85°C

NOTE:

- MATERIAL:
 ITEM NO.1: NUT -BRASS
 ITEM NO.2: HOUSING -PA
 ITEM NO.3: CONTACT -BRASS
 ITEM NO.4: HOUSING BODY: -PBT+GF
- CONTACT FINISH:
 GOLD OVER NICKEL OR SILVER OVER NICKEL
- CABLE WIRES:
 18AWG/0.75mm² Max. FOR 2-5 PINS
 20AWG/0.50mm² Max. FOR 8 PINS
- ALLDIMENSIONS ARE FOR NOMINAL REFERENCE ONLY UNLESS OTHERWISE STATED
- PACKAGEING: IPIECE IN A BAG
- PN INFORMATION

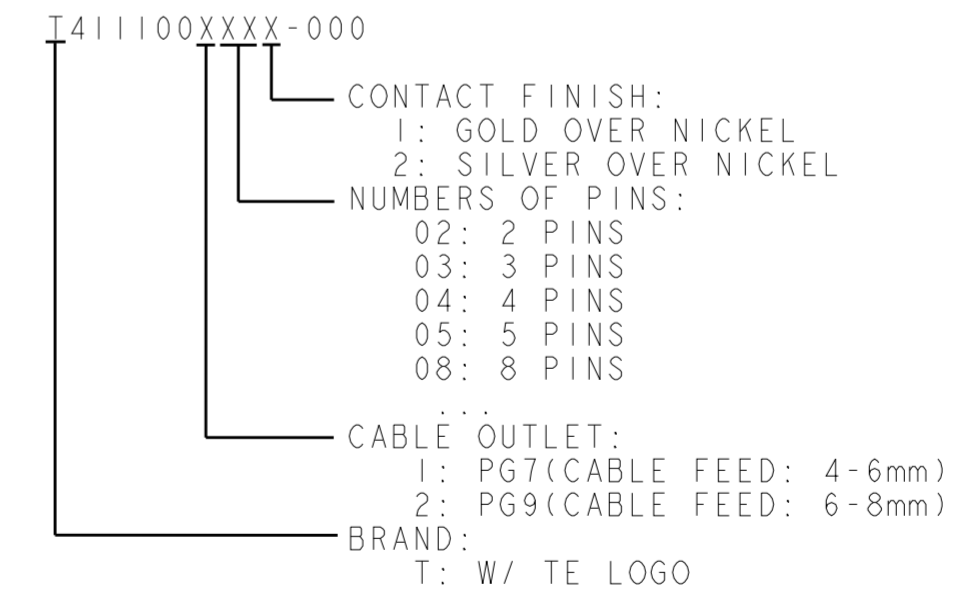


TABLE 1 PIN ARRANGEMENT A-CODE		
T411100X02X-000	T411100X03X-000	T411100X04X-000

T4111002081-000	RPC-M12-MS-8CON-PG9-MU
T4111002082-000	RPC-M12-MS-8CON-PG9-M
T4111001081-000	RPC-M12-MS-8CON-PG7-MU
T4111001082-000	RPC-M12-MS-8CON-PG7-M
T4111002051-000	RPC-M12-MS-5CON-PG9-MU
T4111001051-000	RPC-M12-MS-5CON-PG7-MU
T4111002052-000	RPC-M12-MS-5CON-PG9-M
T4111001052-000	RPC-M12-MS-5CON-PG7-M
T4111002041-000	RPC-M12-MS-4CON-PG9-MU
T4111001041-000	RPC-M12-MS-4CON-PG7-MU
T4111002042-000	RPC-M12-MS-4CON-PG9-M
T4111001042-000	RPC-M12-MS-4CON-PG7-M
T4111002031-000	RPC-M12-MS-3CON-PG9-MU
T4111001031-000	RPC-M12-MS-3CON-PG7-MU
T4111002032-000	RPC-M12-MS-3CON-PG9-M
T4111001032-000	RPC-M12-MS-3CON-PG7-M
T4111002021-000	RPC-M12-MS-2CON-PG9-MU
T4111001021-000	RPC-M12-MS-2CON-PG7-MU
T4111002022-000	RPC-M12-MS-2CON-PG9-M
T4111001022-000	RPC-M12-MS-2CON-PG7-M
TE PN	TYPE

THIS DRAWING IS A CONTROLLED DOCUMENT.		DWN HAO WANG 08OCT2015	TE Connectivity
DIMENSIONS: mm		CHK KOBBY ZHAO 08OCT2015	
TOLERANCES UNLESS OTHERWISE SPECIFIED:		APVD XIANG XU 08OCT2015	
0 PLC ±0.2 1 PLC ±0.2 2 PLC ±0.2 3 PLC ± 4 PLC ± ANGLES ± FINISH -		NAME M12 MALE, A CODE, STRAIGHT UNSHIELDED CONNECTOR SCREW TERMINAL PRODUCT SPEC 108-106140 APPLICATION SPEC 114-137144 WEIGHT - Customer Drawing	
MATERIAL -		SIZE A2	RESTRICTED TO -
		CAGE CODE -	SCALE 1:1
		DRAWING NO. C-T411100XXXX000	SHEET 1 OF 1
			REV A3