

Miniature Rocker Switch

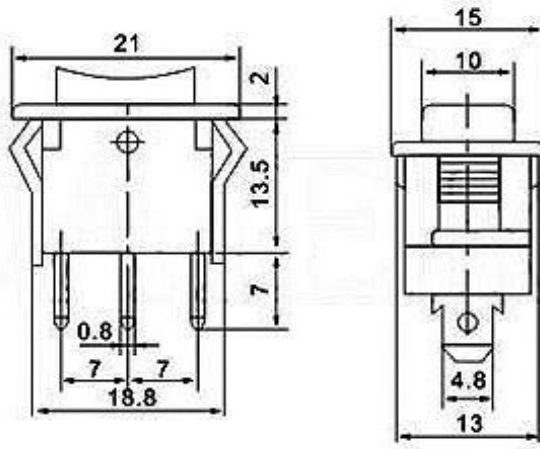
Q-9417

TYPE: **KCD1-123-2**

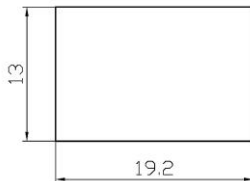
SPECIFICATIONS

Contact Type: SPDT
Rating: 6A 250V AC
Contact R: 35mΩ max
Insulation R: 500V DC 100MΩ min
Dielectric Strength: 1 Minute 1500V AC
Operating Temperature: -25°C ~ +85°C
Electrical Life: 10, 000 Cycles

Outline Drawing



Mounting



Circuitry

