

# Ultrasonic Transducer Specification

we are producing ultrasonic piezoelectric atomizing transducers with higher performances. Our specially electrode protection layer of the transducer is far superior to Nickel or Titanium electrode used in traditional transducers, it has more advantages in withstanding acid, alkaline and cavitation corrosion, so it features higher strength, less water scale, longer lifetime and good consistency.

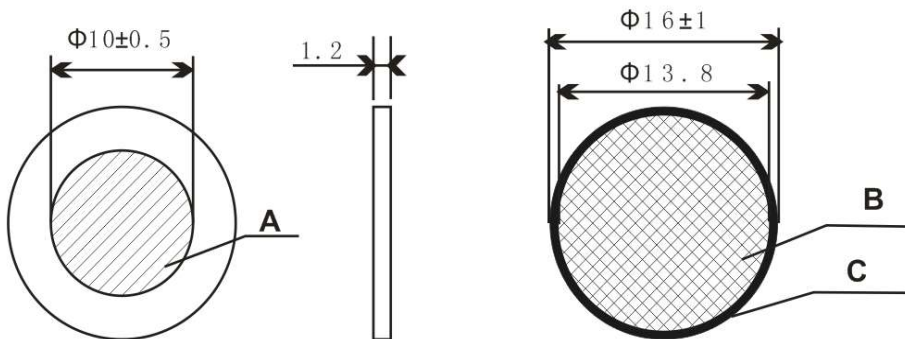
1. Part Number: JTY5-16120B0-01

2. Electronic Performance:

Item	Unit	Standard	Test Conditions (25±3) °C40%~70%R.H.
Thickness Resonant Frequency (Fr)	MHz	1.70±0.05	Impedance analyze
Thickness Resonant Impedance (Rr)	Ω	≤2.0	Impedance analyze
Static Capacitance (C <sub>0</sub> )	pF	1300±15%	Digital electric bridge At 1000Hz/1V
Loss (tg)	%	≤0.5	Impedance analyze
d33	(10 <sup>-12</sup> C/N)	≥360	D33 Tester

Remarks: The ceramic powder formula P43

3. Appearance and Dimensions:



No.	Item
A	Ag Electrode
B	Protective
C	Conductive Silver Glue

Remarks:

- 1) The thickness is depended on the Frequency.
- 2) The emitting surface has the conductive silver glue.

4. Notes:

- 1) The ultrasonic transducer should be fixed tightly and evenly.
- 2) The ultrasonic transducer should be cleaned periodically; scale deposit is now allowed too much on it.
- 3) In the design of the Circuit, don't make the water to have electric potential difference which will cause the ultrasonic transducer electrolyzed.
- 4) The voltage between the ultrasonic transducer should be less than 110Vpp when it works.
- 5) In any case, don't solder the wires to the ultrasonic transducer which maybe cause it damaged.
- 6) The ultrasonic Transducer is liable to fragile, strong vibration or impact will cause it damaged, so please install it carefully.
- 7) Working without water should be prevented when it works, which will cause its performances declined.

版本记录 (Revision History Record)

Revision No.	Date	Page	Description
A0	2015-05-01	/	New Spec
A1	2019-09-01	/	Updated the ceramic material to No.05.