

SPECIFICATION

客户 (Customer) : _____

产品名称 (Production Name) : _____

金涛峪产品型号 (FSJTY Part No.) _____

客户产品型号 (Customer Part No.) : _____

图纸编号(Drawing No.) _____ 规格书版本 (Version) : _____

Signature of Approval by Customer

| |
|--|
| |
|--|

Signature of FSJTY

| | | |
|--------------------------------|-------------|-------------|
| Spec for Ultrasonic transducer | Drawing No. | Rev. No. |
| Model: JTY264A20AD0H4-T0 | UT020 | A1 |
| Drawing | Approval | Sales Dept. |

佛 山 金 涛 峪 电 子 科 技 有 限 公 司

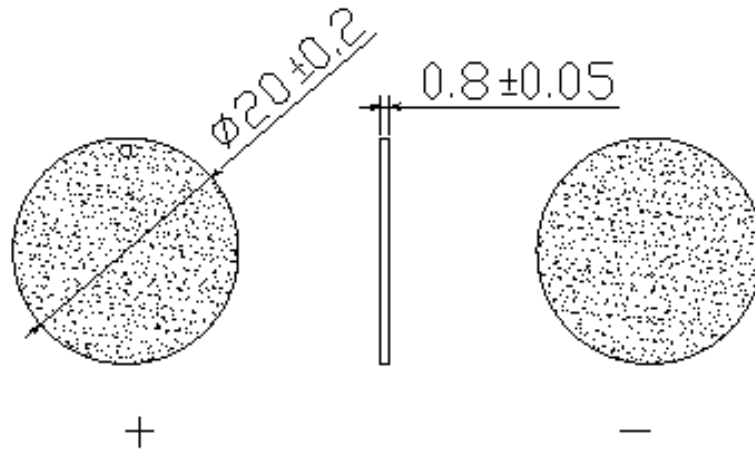
Foshan Jintaoyu Electronics Technology Co., Ltd

1. Application :

This Ultrasonic transducer is widely used for the High Frequency Unit.

2 . Part No. : JYY264A20AD0H4-T0

3 Appearance and Dimension :



unit:mm

Electrode material: Ag

4. Electronic Performance :

| No. | Item | Unit | Specification | Test Instructions |
|-----|----------------------------------|------|---------------|--|
| 1 | Thickness Resonant Frequency(Fr) | MHz | 2.64±0.05 | Agilent 4294A |
| 2 | Thickness Resonant Impedance(Zr) | Ω | ≤2.5 | |
| 3 | Kt | | ≥0.44 | Impedance analyzer |
| 4 | Dielectric Loss (tanδ) | % | ≤0.4 | |
| 5 | Electrostatic Capacitance (Co) | pF | 5400±20% | At 1000Hz/1V/ 25°C Digital Electric Bridge(LCR) |
| 6 | d33 | | ≥280 | D33 Tester |

Test conditions: ultrasonic transducer shall be measured under a condition:
(Temp.:25°C±5°C, Humidity: 40%~70% R.H.).

5. Standard Package

| Qty/Carton (pcs) | Carton Size (cm) | G.W. (Kg) | N.W. (kg) |
|------------------|------------------|-----------|-----------|
| 6000 | 36.7×32.7×20.5 | 13.5 | 12.0 |

6 . Notes

1. The ultrasonic transducer should be packed completely in the closed environment, there is no acidic, alkaline, or other corrosive gases around it, no strong mechanical vibration or magnetic field in the warehouse.
2. Because strong impact stress on the transducer leads to damage the appearance and damage the electronic performance of it , so please take it with care to prevent strong impact stress on it..
3. The ultrasonic transducer should be taken by hand with the clean gloves or fingerstall to prevent the oil or sweat to contaminate the electrode surface of it.
4. The main material of the ultrasonic transducer is lead zirconate-titanate ceramics, so please abide by the local Environmental laws and regulations when discarding.

规格书版本记录 (Revision History Record)

| Revision No. | Date | Page | Description |
|--------------|------------|------|---------------------|
| A0 | 2016-11-20 | / | New Spec |
| A1 | 2017-05-10 | / | Spec Format Updated |
| | | | |
| | | | |
| | | | |
| | | | |
| | | | |