

MODEL: CN2845-68LB P8



**ELECTRICAL SPECIFICATION:**

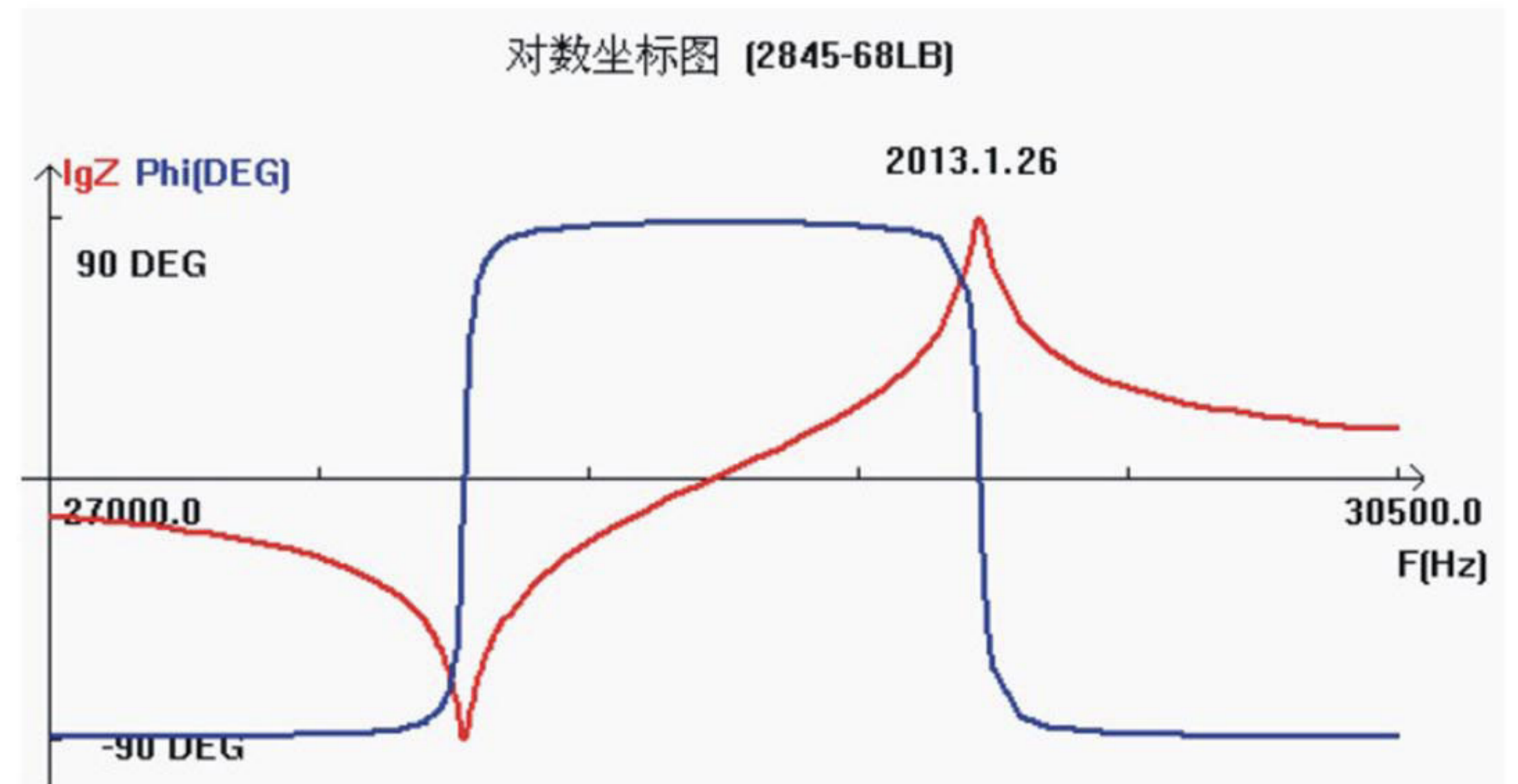
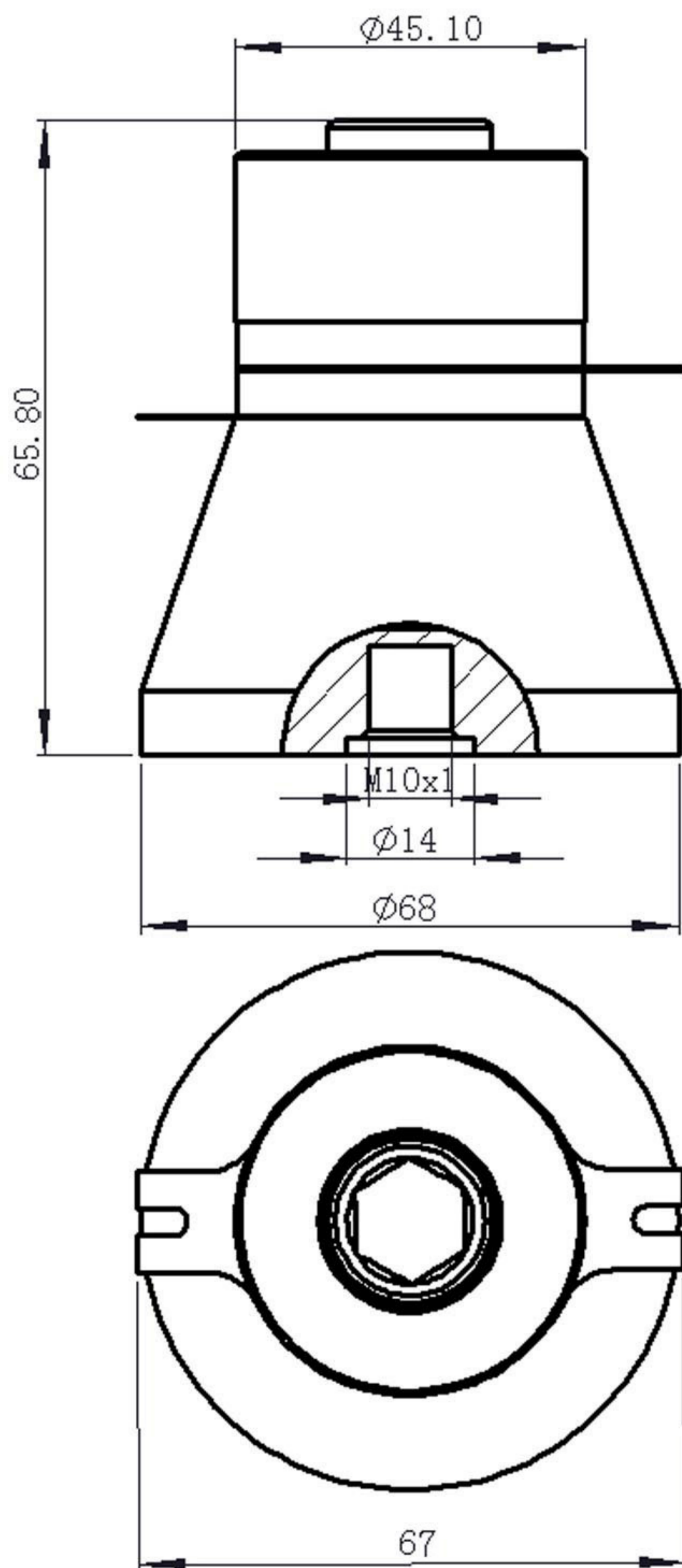
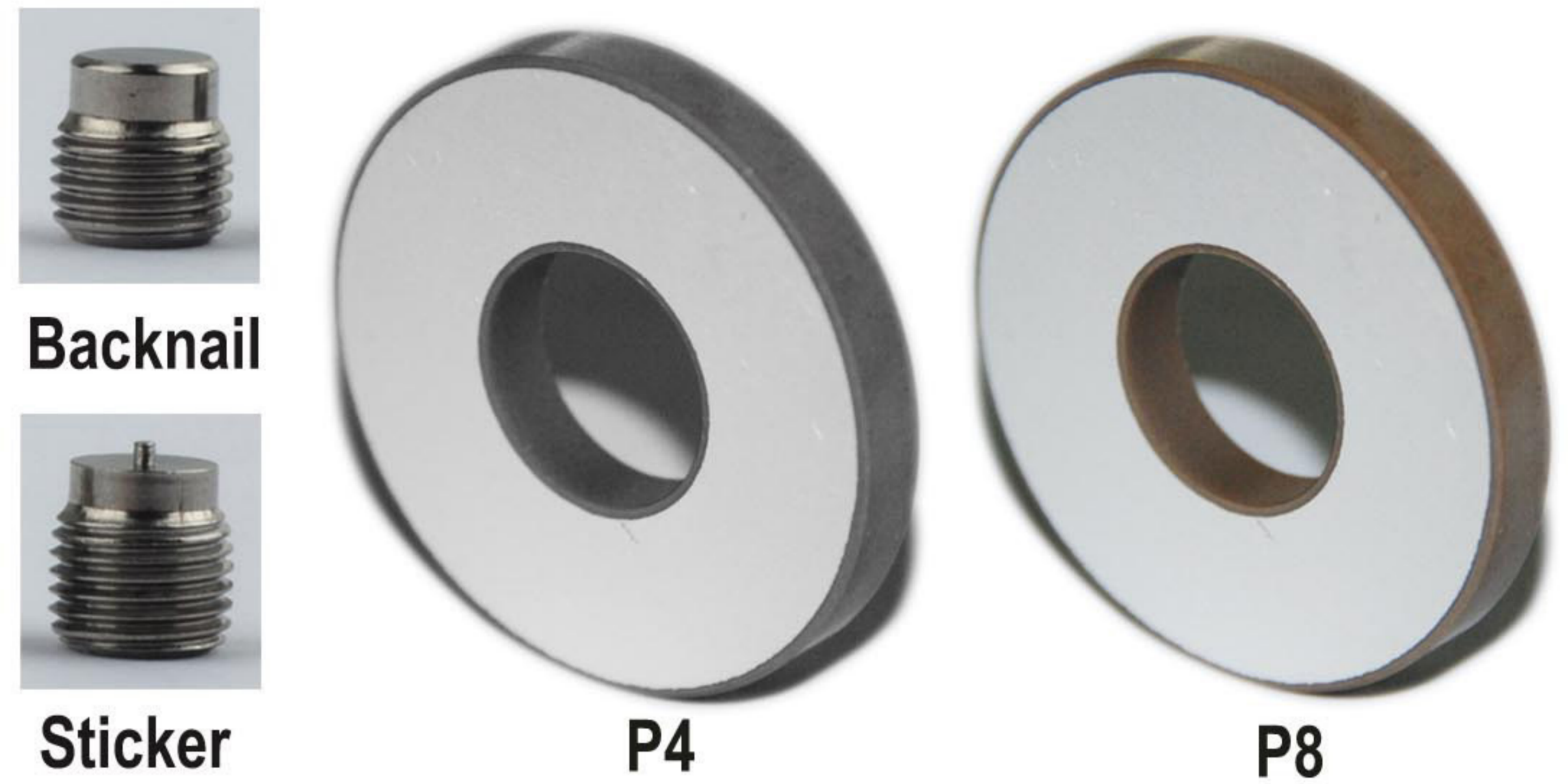
Item	Unit	Standard
Resonant Frequency	KHz	28 ± 0.5
Resonant Impedance	Ω	25 ↓
Capacitance	PF	5500 ± 10%
Diameter	MM	68
Total height	MM	68
Insulation Impedance	MΩ	10000 ↑
Rated Power	W	100

"P4" - Black piezoelectric ceramic, which transmits better  
 "P8" - Yellow piezoelectric ceramic, which has better heat stability

Backnail: welded to substrate by Argon Arc Welding Technology.

Sticker: welded to substrate by Energy Storage Type Studs Gun Welding Technology.

Please tell us what kind of ceramic and screw you need.



Fs[Hz]:	28080.8	CT[nF]:	5.250322
F1[Hz]:	28067.7	C0[nF]:	4.786080
F2[Hz]:	28094.8	C1[nF]:	0.464242
Qm:	1037.103760	L1[mH]:	69.199409
Gmax[ms]:	84.946068		
R1[ohm]:	11.772175		
Fp[Hz]:	29415.0		
Keff:	0.297755		

Tel:086-576-87276622 Email:info@clangsonic.com

Website:www.clangsonic.com

