

MODEL: CN4038-48LA P4



**ELECTRICAL SPECIFICATION:**

Item	Unit	Standard
Resonant Frequency	KHz	40 ± 0.5
Resonant Impedance	Ω	25 ↓
Capacitance	PF	5200 ± 10%
Diameter	MM	48
Total height	MM	51
Insulation Impedance	MΩ	10000 ↑
Rated Power	W	60

**Code Meaning of Clangsonic Transducer**

"CN" - CLANGSONIC

"40" - Frequency

"38" - Diameter of Piezoceramics

"48" - Diameter of Radiating surface

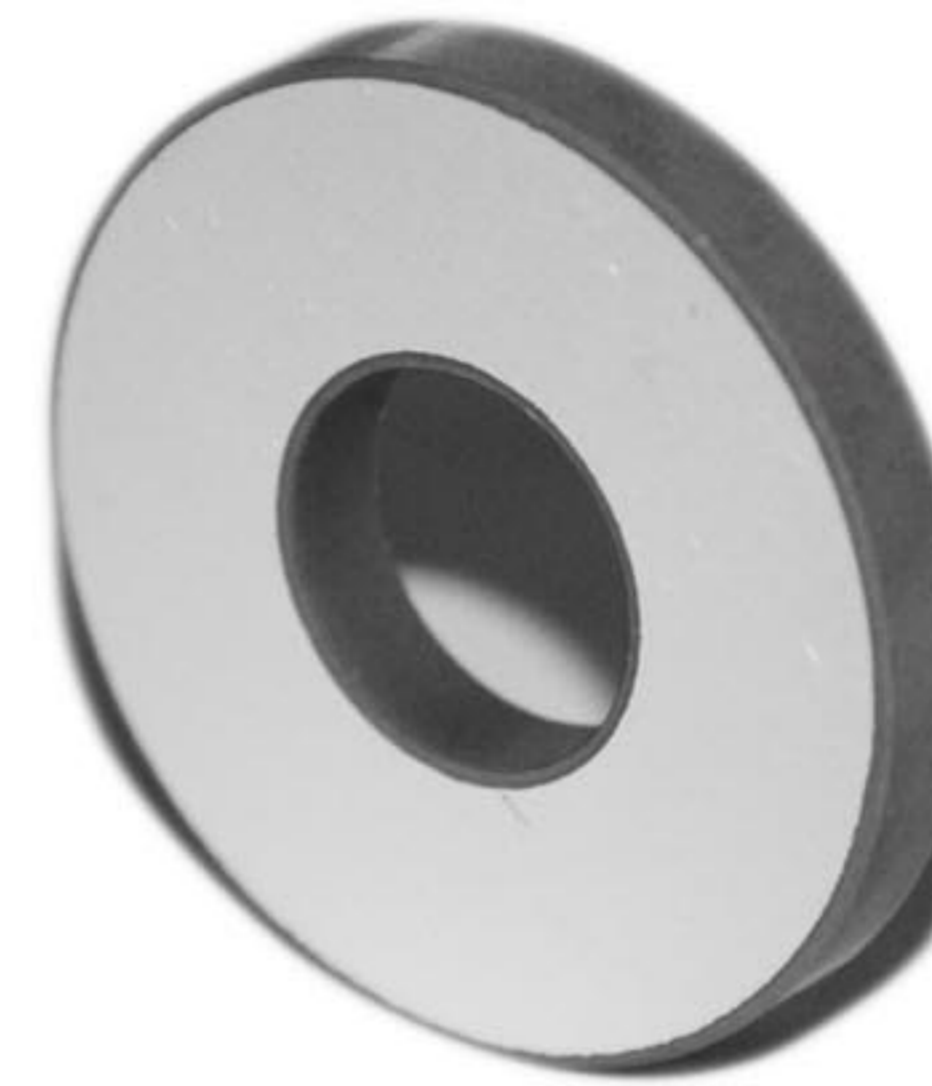
"L"- Trumpet Base

"A" - Without threaded hole in radiating surface

"P4" - Black piezoelectric ceramic, which transmits better

"P8" - Yellow piezoelectric ceramic, which has better heat stability

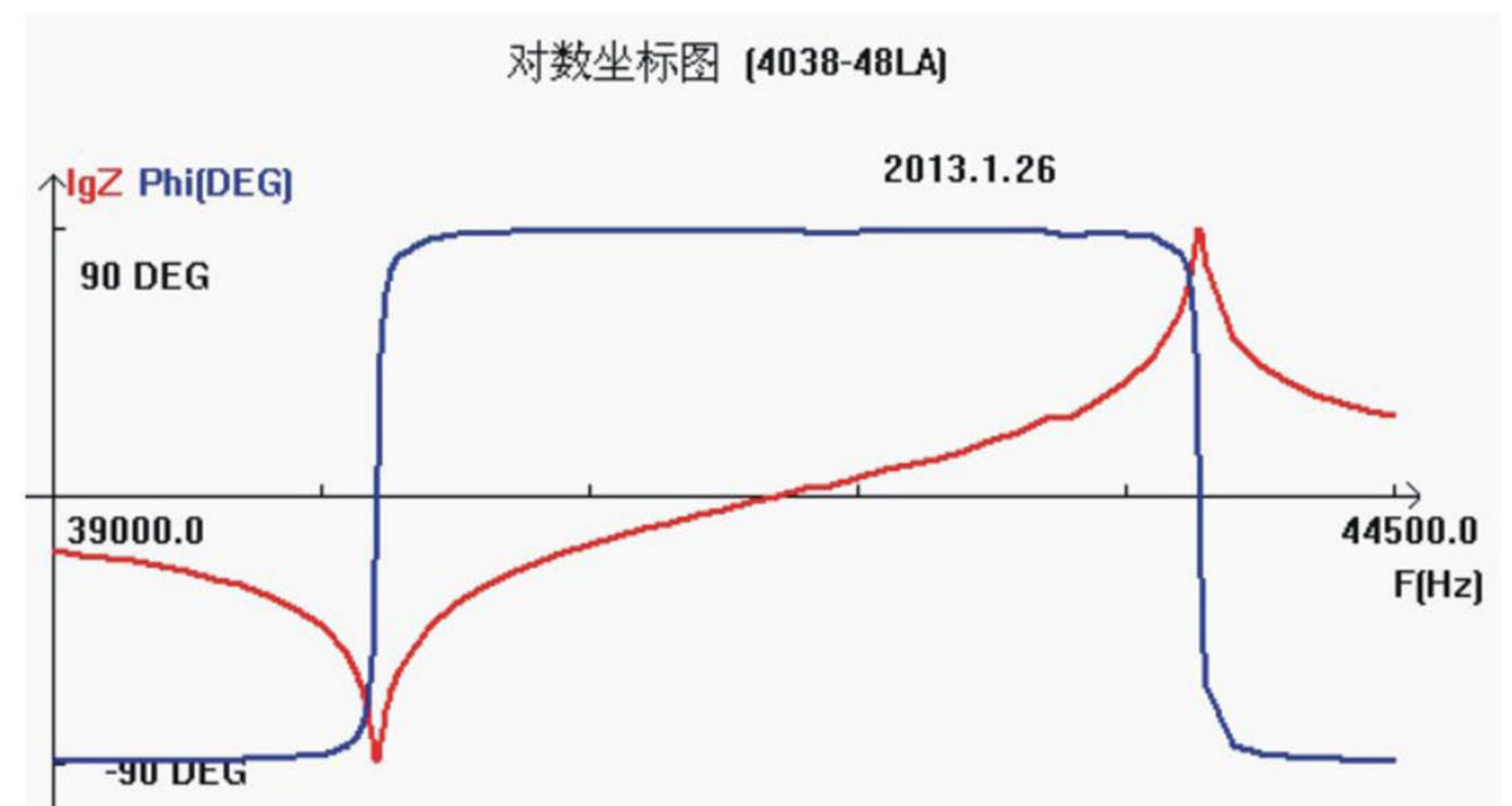
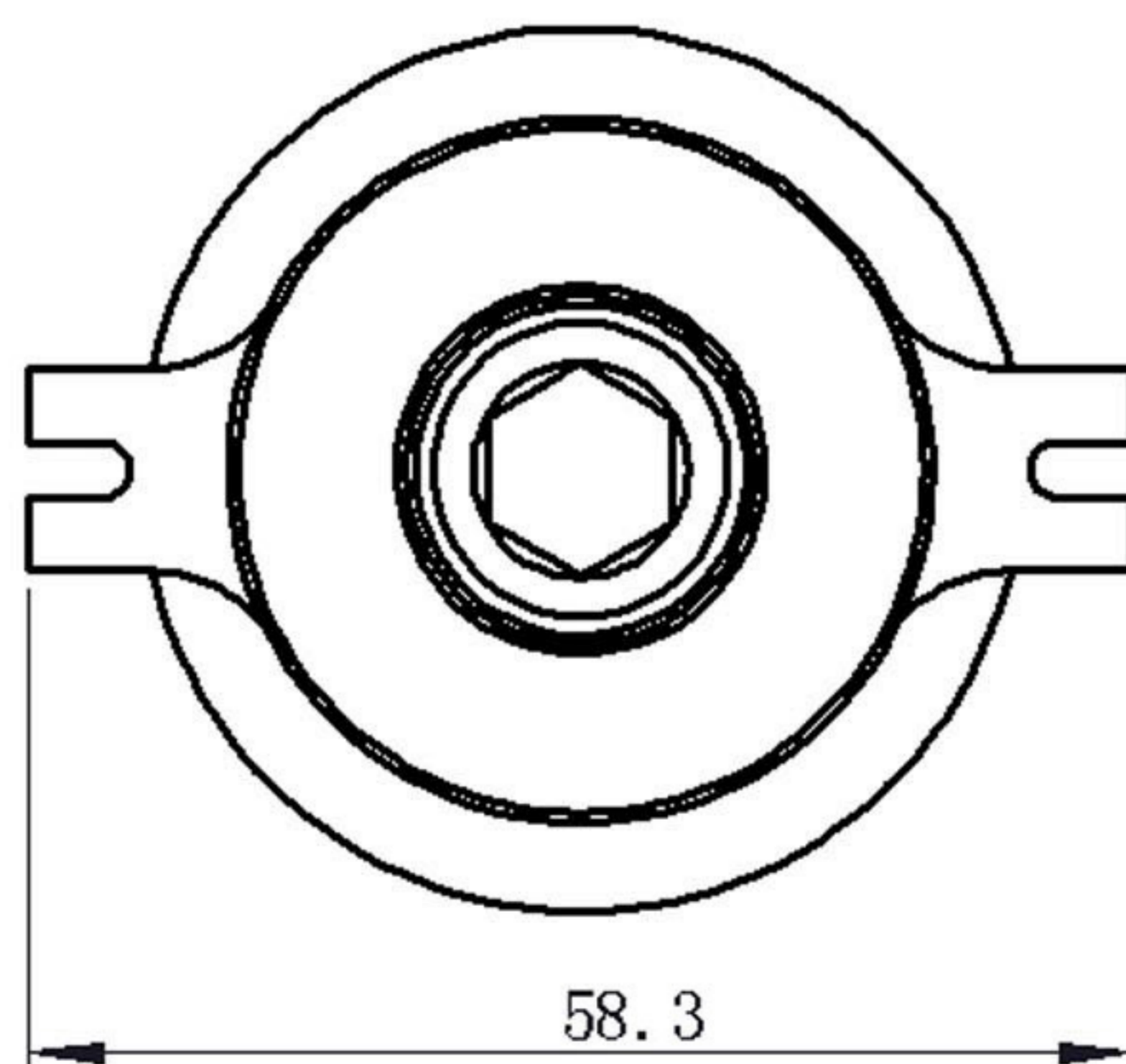
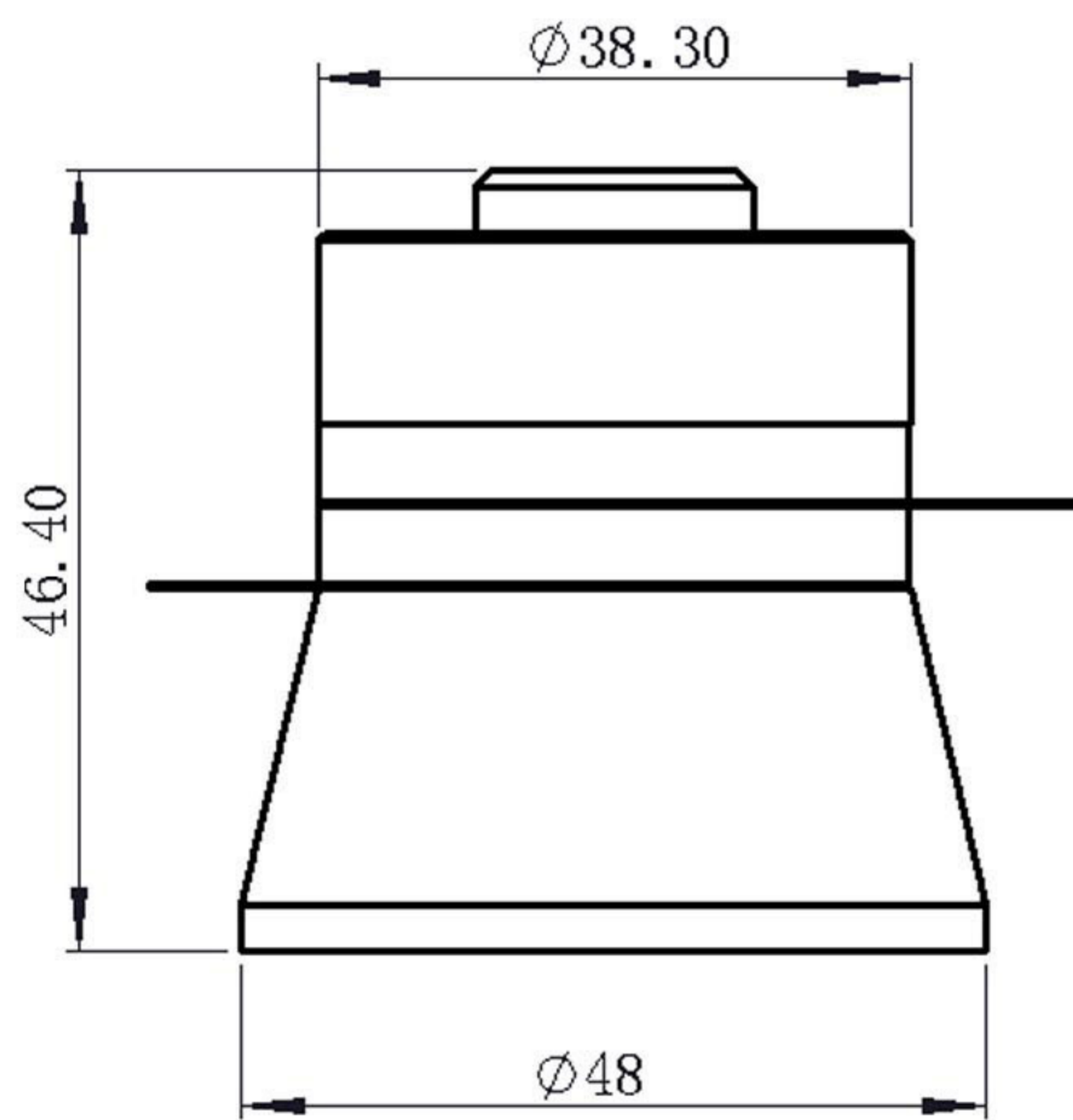
Please tell us what kind of ceramic you need.



P4



P8



Fs[Hz]:	40333.2	CT[nF]:	4.895919
F1[Hz]:	40320.4	C0[nF]:	4.112290
F2[Hz]:	40349.4	C1[nF]:	0.783629
Qm:	1392.488037	L1[mH]:	19.871468
Gmax[ms]:	276.523346		
R1[ohm]	3.616331		
Fp[Hz]	43697.0		
Keff:	0.384752		

Tel:086-576-87276622 Email:info@clangsonic.com

Website:www.clangsonic.com

