

MODEL: CN4038-50LA P8



**ELECTRICAL SPECIFICATION:**

Item	Unit	Standard
Resonant Frequency	KHz	40 ± 2
Resonant Impedance	Ω	25 ↓
Capacitance	PF	3000 ± 10%
Diameter	MM	50
Total height	MM	51
Insulation Impedance	MΩ	10000 ↑
Rated Power	W	60

**Code Meaning of Clangsonic Transducer**

"CN"-CLANGSONIC

"40"-Frequency

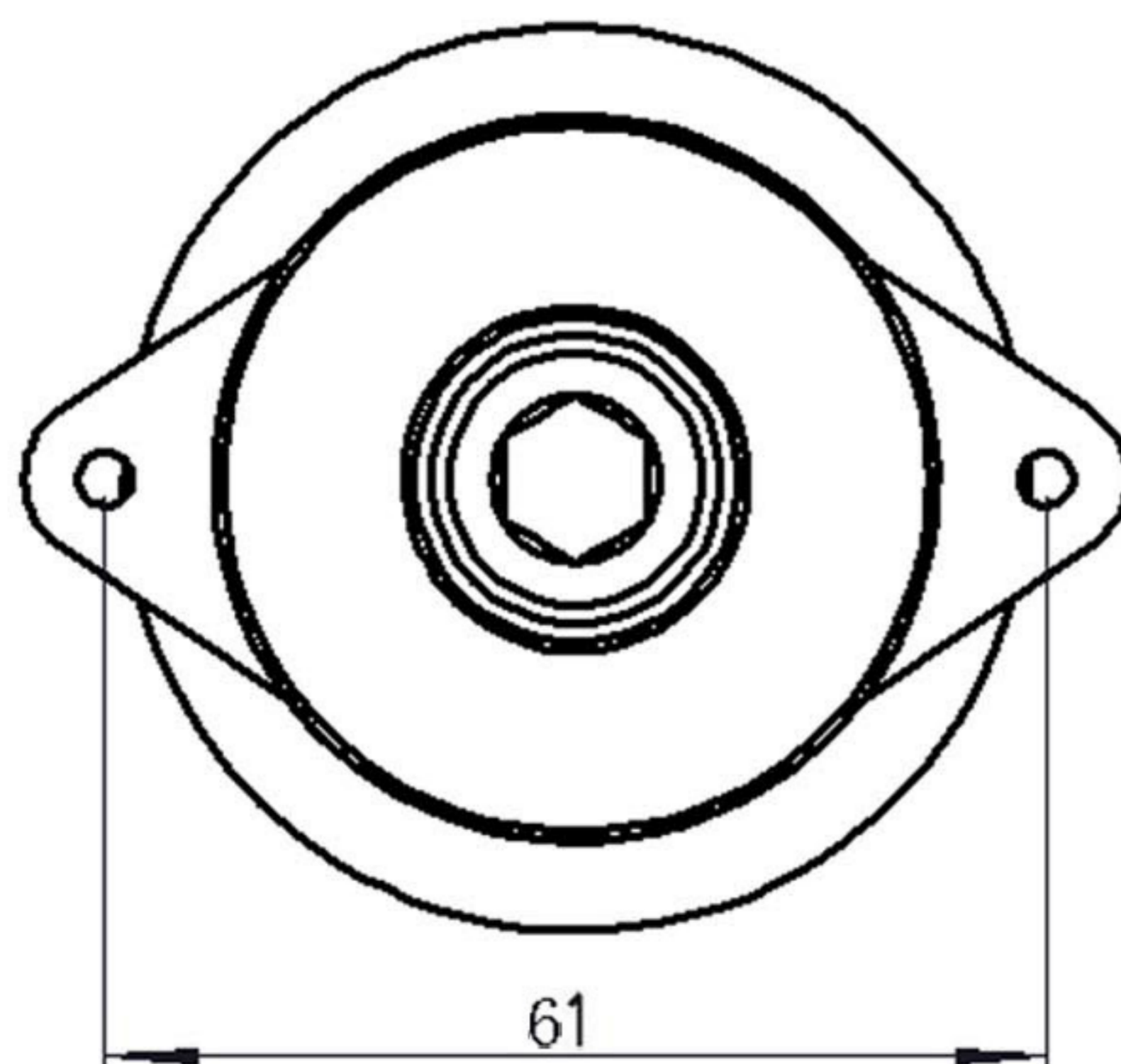
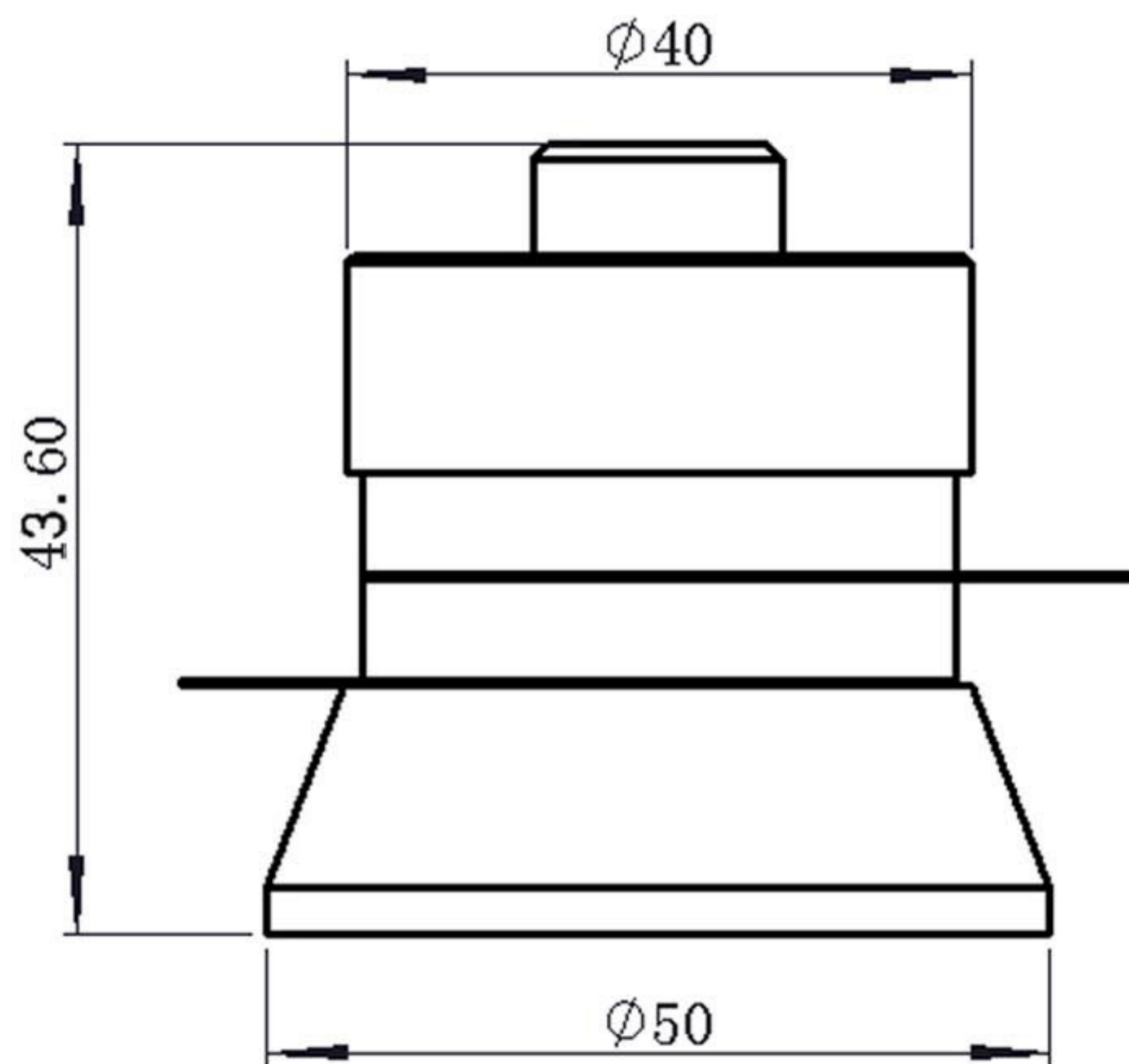
"38"-Diameter of Piezoceramics

"50"-Diameter of Radiating surface

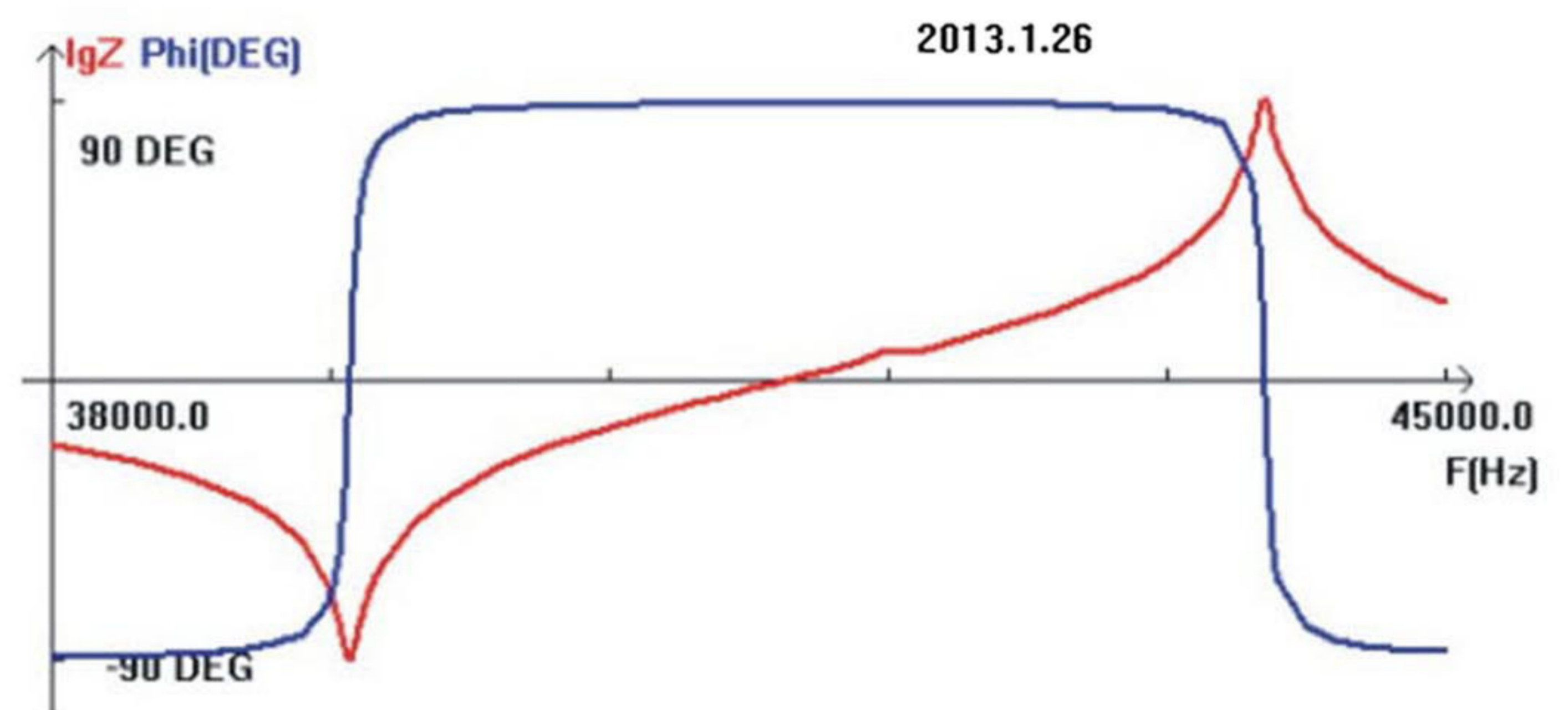
"L"-Trumpet Base

"A"-Without threaded hole in radiating surface

"P8"-Yellow Piezoelectric Ceramic



对数坐标图 (4038-50LA)



Fs(Hz):	39506.4	CT(nF):	3.152007
F1(Hz):	39468.8	C0(nF):	2.453220
F2(Hz):	39538.7	C1(nF):	0.698786
Qm:	565.418335	L1(mH):	23.226646
Gmax(ms):	98.072868		
R1(ohm)	10.196500		
Fp(Hz)	44076.0		
Keff:	0.443399		

Tel:086-576-87276622 Email:info@clangsonic.com

Website:www.clangsonic.com

