

承认书

SPECIFICATION FOR APPROVAL

客户 (CUSTOMER): _____

客户料号 (CUST P/N): _____

产品物料编号: (PART. NO): 137048000457奥迪威产品名称 (DESCRIPTION): HL0015-062奥迪威产品型号 (P/N): AW16Y25120M2L274J3Z规格书编号 (SPECIFICATION. NO): K2-WSP-HL-00332规格书版本 (VERSION): A2

■ 规格书状态 (Specs Type):

 样件 (Sample Specs) 量产 (Standard Specs)

样件规格书 (Sample Specs):

适用于产品的小批量试制. (Apply to trial order.)

量产规格书 (Standard Specs):

适用于产品的批量生产. (Apply to mass production.)

客户承认 CUSTOMER APPROVAL	签名 SIGNATURE.	承认章 COMPANY CHOP.

编制 DWN.	审核 CHK.	批准 APPD.

■ 产品规格书仅供参考, 在产品量产之前, 需要确认最新版本的量产规格书, 并得到客户的签名承认. (Specifications are for reference only, and it is required to be approved by customers before mass production.)

注: 承认书一式两份, 请返回一份. (Note: Specs are in duplicate, please send one copy back.)



超声波雾化片产品规格书

Ultrasonic Piezoelectric Atomizing Transducer Specification



产品专利号: ZL200420043994.7; ZL201020620593.9; ZL201120283778.X
 Patent Number: ZL200420043994.7; ZL201020620593.9; ZL201120283778.X

本公司的超声波雾化片技术,与传统的以镍或钛为电极的雾化片相比,我们的特殊保护电极在耐酸、耐碱、耐空化腐蚀方面性能优越,具有电极强度高,不易结垢,实际使用寿命长的特点。

we are producing ultrasonic piezoelectric atomizing transducers of compact and higher performances. Our specially electrode protection layer of the transducer is far superior to Nickel or Titanium electrode used in traditional transducers, it has more advantages in withstanding acid, alkaline and cavitation corrosion, so it features higher strength, less water scale, and longer lifetime.

■ **品名 (Name):** HL0015-062

■ **产品型号 (Model):** AW16Y25120M2L274J3Z

■ **命名规则 (Part Numbering):**

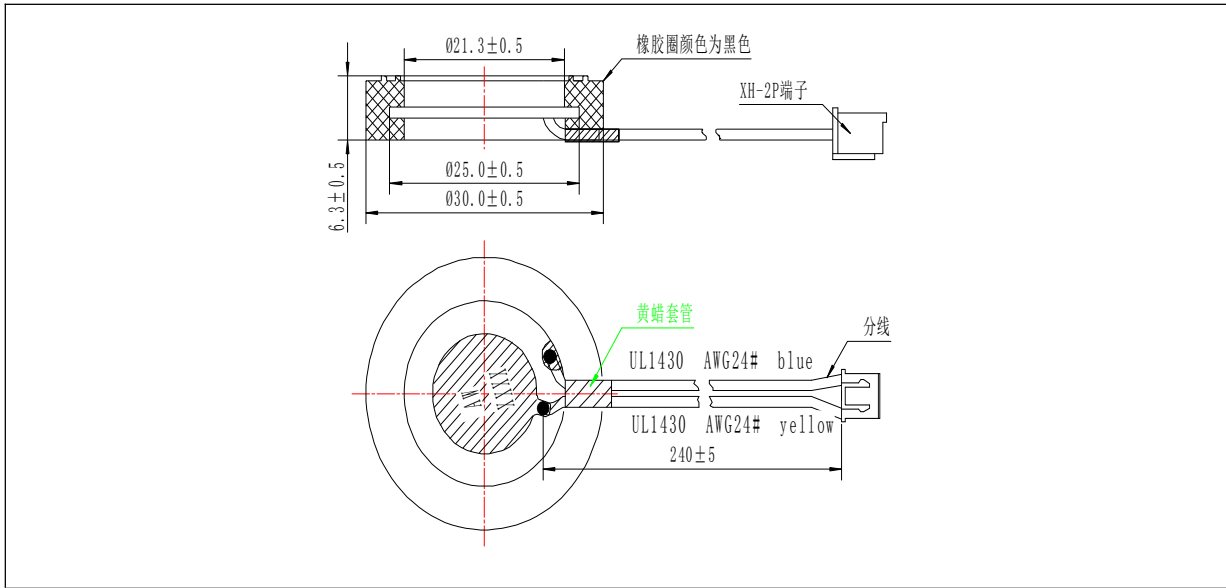
- EX. **AW 16 Y 25 120 M 2 L274 J3 Z**
- ① ② ③ ④ ⑤ ⑥ ⑦ ⑧ ⑨ ⑩
- ① 奥迪威公司代码 Audiowell
 - ② 压电陶瓷材料号 Ceramic material code
 - ③ 电极材质代码 Y, N, J.....=Electrode material code
 - ④ 产品直径 (mm) Diameter of element
 - ⑤ 产品厚度 (10⁻² mm) Thickness of element
 - ⑥ 电极形状代码 A, B, C, D.....=Electrode shape
 - ⑦ 保护层代码 1, 2, 3.....=Coating material code
 - ⑧ 线材代码 L1, L2, L3.....=Different length color or types of wires
 - ⑨ 配件代码 (如 J3 代表橡胶圈) Different fitting , EX. J3= plastic ring
 - ⑩ 环保代码 ROHS code
 - ⑪ 流水号代码 Serial number code

■ **电性能参数 (Electrical specification):**

No.	项目 Items	单位 Unit	标准 Standard	测试条件 Test condition: T=25°C
1	谐振频率 (Ft) Thick resonant frequency	MHz	1.66±0.05	阻抗分析仪 Impedance Analyzer
2	谐振阻抗 (R) Resonant impedance	Ω	≤2.0	阻抗分析仪 Impedance Analyzer
3	静电容量 (C ₀) Static capacitance	pF	1700±20%	数字电桥 At 1000Hz/1V Digital electric bridge At 1000Hz/1V
4	寿命 Life time	hour	5000	



■外观尺寸(外观尺寸(Appearance and dimensions): 计量单位(Unit): mm



注: 1、导线、焊锡丝、橡胶圈等所有物料符合环保要求, 压电陶瓷体豁免含铅量。
 The lead wire, soldering tin, rubber ring all comply with the requirements of environmental protection, while Piezo ceramic exempt from lead restriction.
 2、产品中心电极增加喷码印字“AWXXXX”(其中XXXX为四位阿拉伯数字, 代表年月, 如12年2月的产品则印字: AW1202)。
 Print “AWXXXX” on the central electrode (XXXX is a four-digit number on behalf of year and month. For example, the printing AW1202 stands for the product on February 2012.)

■包装(Package):

片/箱 PCS/CTN	包装盒 002(cm) Carton 002(cm)	包装箱 030(外尺寸)(cm) Carton 030(Outside Size) (cm)	毛重(Kg) Gross eight(Kg)	净重(Kg) Net Weight(Kg)
1088	22.5*12.5*3.8	48.8*29.0*23.5Y	11.0	9.5

■使用注意事项 (Note):

- a)雾化片要固紧, 平整;
- b)雾化片要定期清洗, 不可有太多水垢;
- c)保证设计线路时不要使水溶液中存在电位差而使晶片电极产生电解;
- d)工作时晶片两端电压 Vp-p 小于 110V;
- e)在任何情况下, 请勿自行焊接晶片连接导线处, 以免对产品造成损害。
- f)雾化片属易碎产品, 强烈的振动或撞击可能会损坏雾化片, 请小心安装。
- g)雾化片使用过程中应防止出现干烧, 以避免产品性能出现衰退。
- h)雾化片适宜工作温度为 10°C-50°C, 推荐在 25°C 以上工作。

NOTE:

- a)The piezo shall be fastness and smooth.
- b)The piezo shall be cleaned regularly, make sure there's less scale on it.
- c) Please make sure there is no electric potential difference in the water when designing the circuit, otherwise the coating of the piezo might be electrolyzed.
- d)Vp-p of both ends of the piezo shall less than or equal to 110v.



- e) In any case, please do not reweld the solder joint of the piezo personally, so as to avoid damage to the product.
- f) The piezo is fragile, may be damaged by strong vibration or impact. So please install carefully.
- g) When using the piezo, please make sure to have anti-dry protection, so as to avoid product performance recession.
- h) The appropriate working temperature for the piezo is 10-50° C, it is recommended to work above 25° C.

■ 修订记录(revision history)

文件修订记录 File revision history			
修订时间 Revision time	修订版本 Version of revision	内部 ECR 编号 The number of ECR	修订内容 Contents of revision
2015/7/17	A1	/	新建规格书
2019/7/9	A2	/	新建规格书