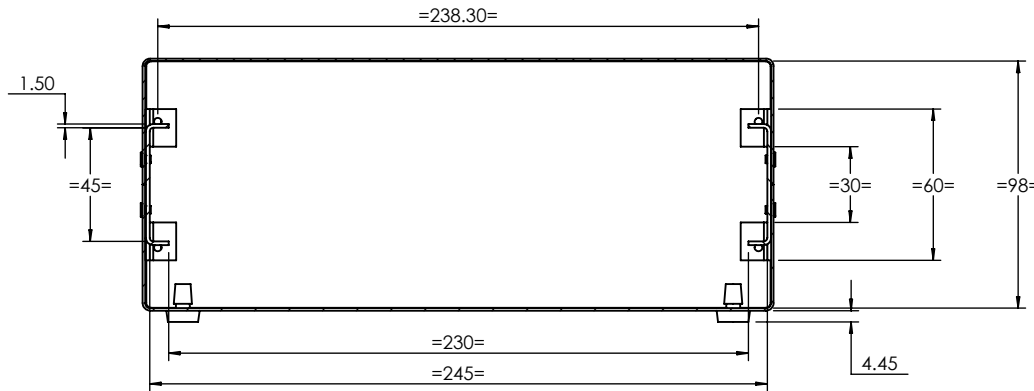
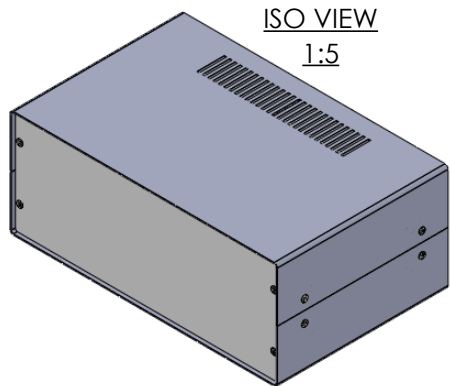


SECTION A-A



SECTION B-B



JAMES CARTER RD, MILDENHALL, SUFFOLK. IP28 7DE
 TEL: 01638 716101 FAX: 01638 716554
 EMAIL: Sales@CamdenBoss.com
 WEB: www.CamdenBoss.com

UNLESS OTHERWISE SPECIFIED:
 DIMENSIONS ARE IN MILLIMETERS

GENERAL TOLERANCES +/- 0.2

FINISH. SHELL RAL: 9010
 FRONT + BACK: SILVER
 ANODIZED

MATERIAL. SHELL: STEEL
 FRONT + BACK: ALUMINIUM

PROJECTION.

DO NOT SCALE DRAWING

REVISION.



TITLE:

**DIMENSION DRAWING FOR METAL
 CONSOLE BOX SIZE 1**

DWG NO.

CMCB00003

A4

	NAME	SIGNED	DATE
DRAWN	IAN PAGANO	I.P.	06/03/14
CHKD	-	-	-

SCALE: 1:3



SHEET 1 OF 1

SHEET 1 OF 1