



50 – 300 Watts; 1 – 3 Outputs

Features & Benefits

- Inputs 28 and 270V_{DC}
- Transient protection: 28V_{DC} designed to meet MIL-STD-704A-F, MIL-STD-1275A/B/D and DO-160E
- One, two or three outputs
- Outputs: 2 – 48V_{DC}
- Up to 5W/in³
- High efficiency
- Remote sense
- ZCS power architecture
- Low noise FM control
- MIL-STD-461C/D/E EMI compliance

Product Description

The MI-ComPAC is a complete single, dual, or triple output DC-DC power supply that delivers up to 300W from inputs of 28 or 270V_{DC}.

The MI-ComPAC meets the conducted emissions and conducted susceptibility specifications of MIL-STD-461C/D/E and designed to meet the input transient, surge, and spike protection to the most severe levels of MIL-STD-1275, MIL-STD-704 and DO-160E.

Over/undervoltage lockout provides an additional safeguard against potentially damaging line conditions. The MI-ComPAC also features a overall disable.

Packaging Options

Conduction Cooled Models Available. Add “-CC” to the end of the part number. (Consult factory for details.)

Extended heat sink available add “-H1” to end of part number.

Configuration Chart

Configuration	Output Power	Number of Modules	Dimensions
Single Output			
MI-LC	50 – 100W	1	8.6 x 2.5 x 0.99in [218,4 x 63,5 x 25,2mm]
MI-MC	150 – 200W	2	8.6 x 4.9 x 0.99in [218,4 x 124,5 x 25,2mm]
MI-NC	300W	3	8.6 x 7.3 x 0.99in [218,4 x 185,4 x 25,2mm]
Dual Output			
MI-PC	100 – 200W	2	8.6 x 4.9 x 0.99in [218,4 x 124,5 x 25,2mm]
MI-QC	200 – 300W	3	8.6 x 7.3 x 0.99in [218,4 x 185,4 x 25,2mm]
Triple Output			
MI-RC	150 – 300W	3	8.6 x 7.3 x 0.99in [218,4 x 185,4 x 25,2mm]

Input Voltage

Nominal	Input Range Full Power	Brownout Voltage ^[a]	Transient (1s)
2 = 28V	18 – 50V	16	60
6 = 270V	125 – 400V	N/A	475

Product Grade Case Temps. °C

Grade	Operating	Storage
I =	-40 to +85	-55 to +100
M =	-55 to +85	-65 to +100

Output Power / Current

V _{OUT} ≥ 5V	V _{OUT} < 5V
Y = 50W	Y = 10A
X = 75W	X = 15A
W = 100W	W = 20A
V = —	V = 30A

Output Voltage

Z = 2V ^[b]	1 = 12V
Y = 3.3V ^[b]	P = 13.8V
0 = 5V ^[b]	2 = 15V
X = 5.2V	N = 18.5V
W = 5.5V	3 = 24V
V = 5.8V	L = 28V
T = 6.5V ^[c]	J = 36V
R = 7.5V ^[c]	K = 40V
M = 10V	4 = 48V

Output Power / Current

V _{OUT} ≥ 5V	V _{OUT} < 5V
V = 150W	V = 30A
U = 200W	U = —
S = 300W	S = 60A

Output Power / Current

V _{OUT} ≥ 5V	V _{OUT} < 5V
S = 300W	S = —
P = —	P = 90A

^[a] Brownout voltage for output power de-rated to 75% of maximum

^[b] These units rated for 75% load from 125 to 150V: “V” power for “Z & Y” voltages, “W” power for “0” voltages

^[c] 75W maximum module power for 28V input voltage

MI-ComPAC Specifications

Typical at $T_{BP} = 25^{\circ}\text{C}$, nominal line and 75% load, unless otherwise specified.

Input Specifications

Parameter	Min	Typ	Max	Unit	Notes
28V _{DC} Input Modules					
Steady-State Input	18	28	50	V _{DC}	
Low-Line Lockout			17.5	V _{DC}	Automatic recovery
Input Spike Limit	-250		+250	V _{DC}	70μs, 15mJ per MIL-STD-1275A/B/D
Input Surge Limit			100	V _{DC}	50ms, 0.5Ω per MIL-STD-1275A/B/D
			80	V _{DC}	100ms per DO-160E, Section 16, Power Input, Category Z
Overvoltage Shut Down	50			V _{DC}	100ms automatic recovery
Recommended Fuse			10 ^[d]	A	F03A type
270V _{DC} Input Modules					
Steady-State Input	125	270	400	V _{DC}	
Low-Line Lockout			125	V _{DC}	Automatic recovery
Input Spike Limit			+800	V _{DC}	10μs, 50Ω
	-600		+600	V _{DC}	100μs, 15mJ
Input Surge Limit	-250		500	V _{DC}	100ms, 0.5Ω
Overvoltage Shut Down	400			V _{DC}	100μs automatic recovery
Recommended Fuse			2 ^[d]	A	F03A type
All Models					
No Load Power Dissipation		1.5 ^[d]	2 ^[d]	W	
Overall Disable Input Current ^[e] (Absolute Maximum, 20mA)	4			mA	Sink; disables all outputs
Inrush Current		110	125	%, I _{IN}	Steady state I _{IN} , 10ms

^[d] Per internal module configuration.

^[e] Multiply minimum x2 for 2-ups and x3 for 3-ups

Output Specifications

Parameter	Min	Typ	Max	Unit	Notes
Set Point Accuracy		0.5	1.0	%V _{NOM}	
Load / Line Regulation		0.2	0.5	%V _{NOM}	LL to HL, NL to 10%
		0.05	0.2	%V _{NOM}	LL to HL, 10% to FL
Output Temperature Drift		0.01	0.02	% / °C	
Output Noise, Peak-to-Peak		1.0	1.5	%V _{NOM}	Whichever is greater; 20MHz BW
		100	150	mV	
Output Voltage Trimming ^[f]	50		110	%V _{NOM}	
Remote Sense Compensation	0.5			V _{DC}	
OVP Set Point	115	125	135	%V _{NOM}	Latching
Current Limit	105		125	%I _{NOM}	Auto restart
Short-Circuit Current ^[g]	20		130	%I _{NOM}	

^[f] 10, 12 and 15V outputs, standard trim range ±10%. Consult factory for wider trim range.

^[g] Output ranges of 5V or less incorporate foldback current limiting, outputs of 10V and above incorporate straight-line current limiting.

MI-ComPAC Specifications (Cont.)

Typical at $T_{BP} = 25^{\circ}\text{C}$, nominal line and 75% load, unless otherwise specified.

Thermal Characteristics

Parameter	Min	Typ	Max	Unit	Notes
Efficiency		81		%	
Operating Temperature, Case			+85	$^{\circ}\text{C}$	See product grade
Storage Temperature			+100	$^{\circ}\text{C}$	See product grade
Shut-Down Temperature	+90	+95	+105	$^{\circ}\text{C}$	Cool and recycle power to restart

Isolation Characteristics

Parameter	Min	Typ	Max	Unit	Notes
Input to Output	4242			V_{RMS}	1 minute
Input to Case					
28V _{DC} Input	2121			V_{RMS}	1 minute
270V _{DC} Input	2500			V_{RMS}	1 minute
Output to Case	500			V_{RMS}	1 minute

Mechanical Specifications

Parameter	Min	Typ	Max	Unit	Notes
Weight					
1-Up		1.2 [544]		lbs [g]	
2-Up		2.4 [1088]		lbs [g]	
3-Up		3.6 [1633]		lbs [g]	

EMC CHARACTERISTICS; MIL-STD-461C/D/E

Parameter	Notes
Input Power Leads	
Conducted Emissions	CE01, CE03, CE07 MIL-STD-461C — 1-up
	CE101, CE102 MIL-STD-461D — 1-up
	CE101 MIL-STD-461E — 2-up & 3-up
Conducted Susceptibility	CS01, CS02, CS06 MIL-STD-461C — 1-up
	CS101, CS114, CS116 MIL-STD-461D — 1-up
	CS101, CS114, CS116 MIL-STD-461E — 2-up & 3-up

MI-ComPAC Specifications (Cont.)

Thermal Considerations

Parameter	Standard Units			With Optional Heat Sink ^[h]		
	1-Up	2-Up	3-Up	1-Up	2-Up	3-Up
Thermal Impedance — Case-to-Air (°C / W)						
Free Air (Horizontal)	3.6	1.7	1.4	2.1	1.3	1.0
Forced Convection Through Heat-Sink Fins						
50LFM	2.7	1.4	1.3	1.5	1.1	0.9
100LFM	2.3	1.3	1.1	1.2	0.9	0.7
250LFM	1.6	1.0	0.8	0.7	0.5	0.4
500LFM	1.2	0.7	0.6	0.4	0.3	0.3
750LFM	0.9	0.5	0.5	0.3	0.2	0.2
1000LFM	0.8	0.4	0.4	0.2	0.2	0.2

- Thermal impedance, chassis-to-air, is provided for 1-up, 2-up and 3-up MI-ComPAC package configurations as a function of airflow.
- Case temperature = (total power dissipated • thermal impedance) + ambient temperature.
- Watts dissipated per output = (output power ÷ efficiency) – output power.

^[h] To order optional heat sink add -H1 to part number.

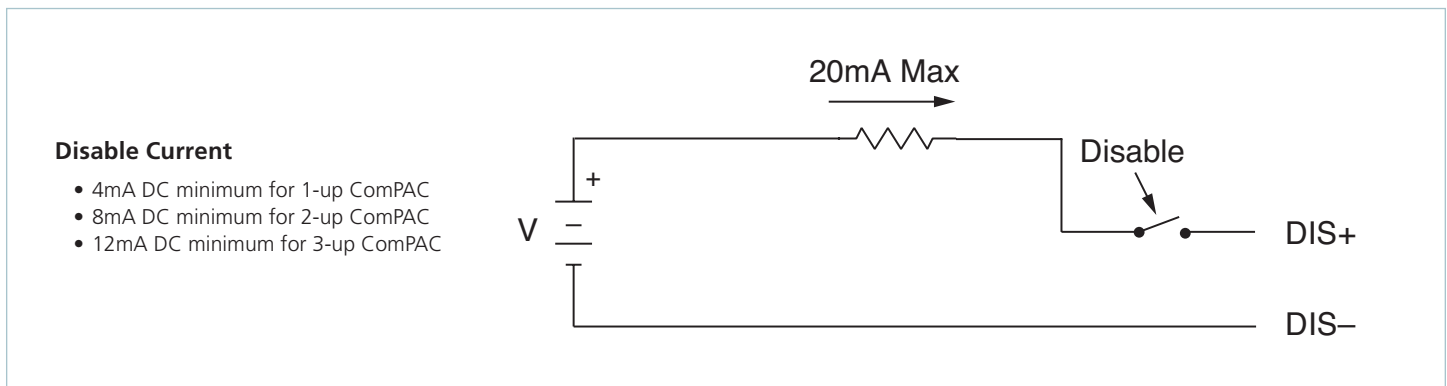


Figure 1 — Disable circuit; The MI-ComPAC incorporates an optically isolated overall disable input which will shut down the MI-ComPAC when a current is driven through the disable terminals

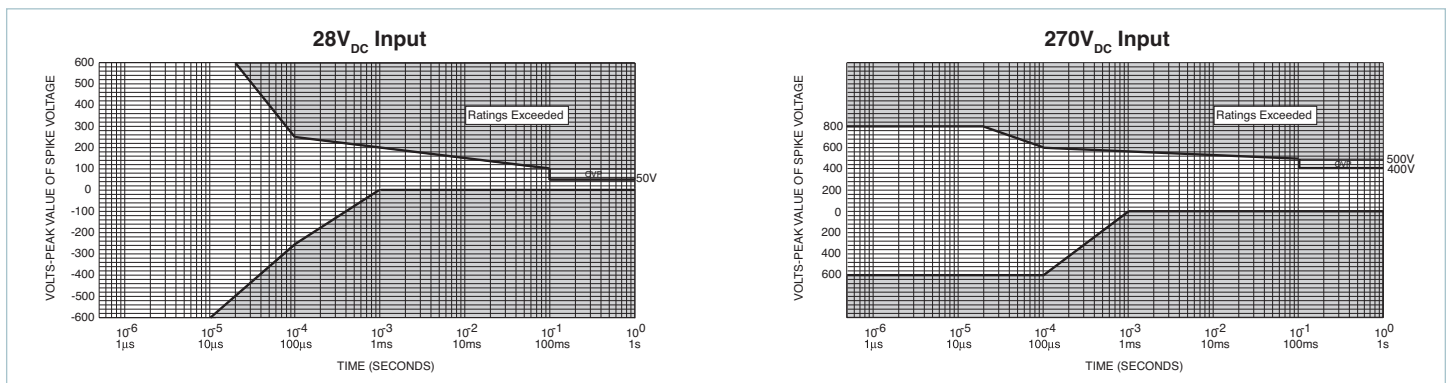
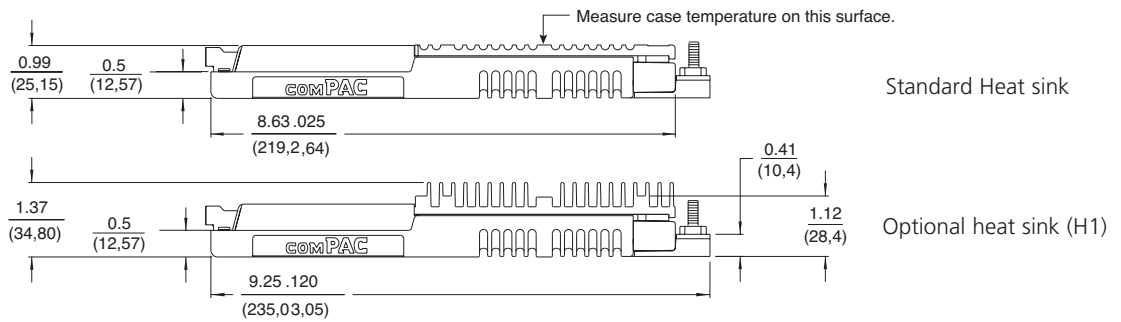


Figure 2 — Long term safe operating area curves; 1% duty cycle maximum, for short duration transient capability refer to specifications

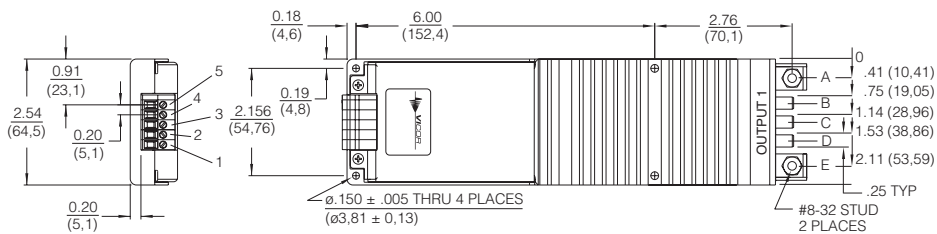
Mechanical Drawings

INPUTS	
1	Ground
2	-Input
3	+Input
4	Disable-
5	Disable+
OUTPUTS	
A	+Output
B	+Sense
C	Trim
D	-Sense
E	-Output

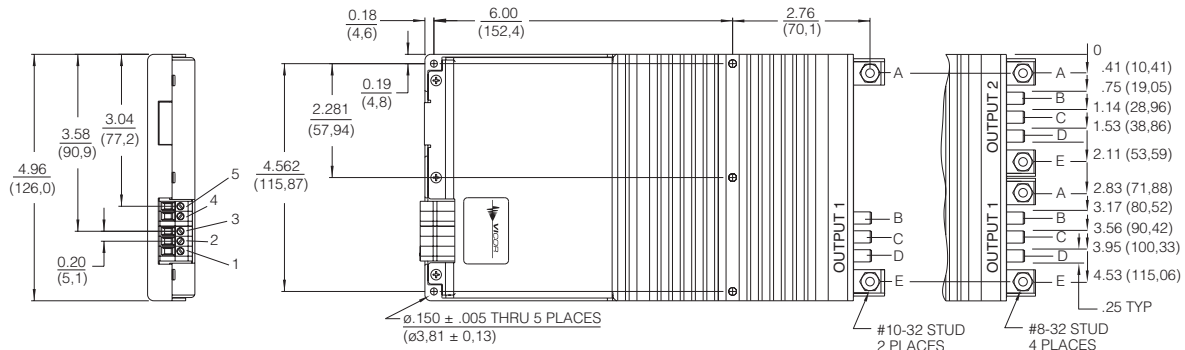
All Models



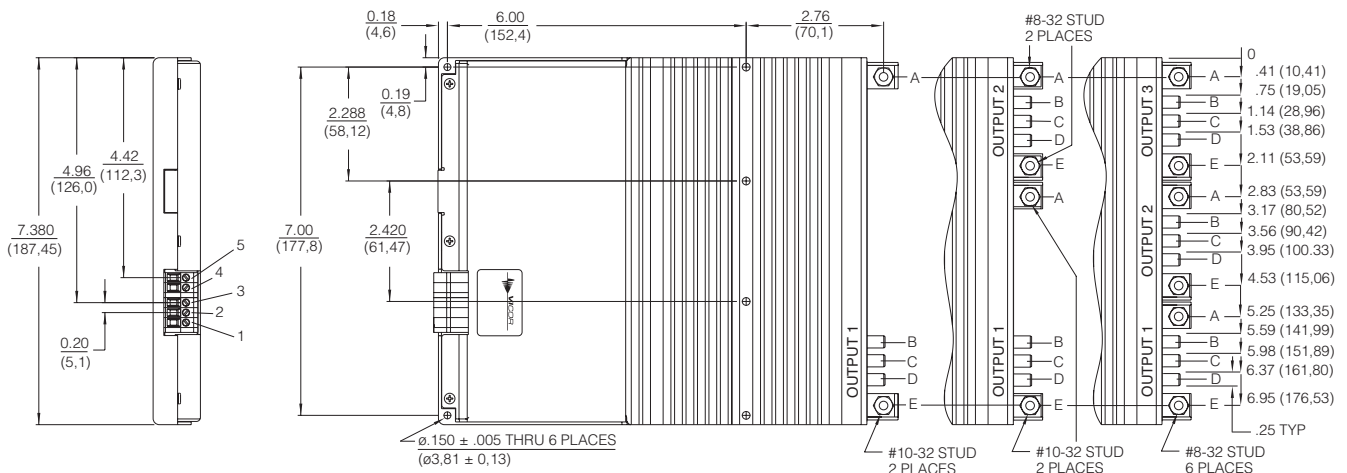
LC Series



MC, PC Series



NC, QC, RC Series



Vicor's comprehensive line of power solutions includes high density AC-DC and DC-DC modules and accessory components, fully configurable AC-DC and DC-DC power supplies, and complete custom power systems.

Information furnished by Vicor is believed to be accurate and reliable. However, no responsibility is assumed by Vicor for its use. Vicor makes no representations or warranties with respect to the accuracy or completeness of the contents of this publication. Vicor reserves the right to make changes to any products, specifications, and product descriptions at any time without notice. Information published by Vicor has been checked and is believed to be accurate at the time it was printed; however, Vicor assumes no responsibility for inaccuracies. Testing and other quality controls are used to the extent Vicor deems necessary to support Vicor's product warranty. Except where mandated by government requirements, testing of all parameters of each product is not necessarily performed.

Specifications are subject to change without notice.

Visit http://www.vicorpower.com/mil-cots-power-systems/mi-compac_dc_power_supply for the latest product information.

Vicor's Standard Terms and Conditions and Product Warranty

All sales are subject to Vicor's Standard Terms and Conditions of Sale, and Product Warranty which are available on Vicor's webpage (<http://www.vicorpower.com/termsconditionswarranty>) or upon request.

Life Support Policy

VICOR'S PRODUCTS ARE NOT AUTHORIZED FOR USE AS CRITICAL COMPONENTS IN LIFE SUPPORT DEVICES OR SYSTEMS WITHOUT THE EXPRESS PRIOR WRITTEN APPROVAL OF THE CHIEF EXECUTIVE OFFICER AND GENERAL COUNSEL OF VICOR CORPORATION. As used herein, life support devices or systems are devices which (a) are intended for surgical implant into the body, or (b) support or sustain life and whose failure to perform when properly used in accordance with instructions for use provided in the labeling can be reasonably expected to result in a significant injury to the user. A critical component is any component in a life support device or system whose failure to perform can be reasonably expected to cause the failure of the life support device or system or to affect its safety or effectiveness. Per Vicor Terms and Conditions of Sale, the user of Vicor products and components in life support applications assumes all risks of such use and indemnifies Vicor against all liability and damages.

Intellectual Property Notice

Vicor and its subsidiaries own Intellectual Property (including issued U.S. and Foreign Patents and pending patent applications) relating to the products described in this data sheet. No license, whether express, implied, or arising by estoppel or otherwise, to any intellectual property rights is granted by this document. Interested parties should contact Vicor's Intellectual Property Department.

Contact Us: <http://www.vicorpower.com/contact-us>

Vicor Corporation
25 Frontage Road
Andover, MA, USA 01810
Tel: 800-735-6200
Fax: 978-475-6715
www.vicorpower.com

email

Customer Service: custserv@vicorpower.com
Technical Support: apps@vicorpower.com

©2018 – 2020 Vicor Corporation. All rights reserved. The Vicor name is a registered trademark of Vicor Corporation. All other trademarks, product names, logos and brands are property of their respective owners.

Mouser Electronics

Authorized Distributor

Click to View Pricing, Inventory, Delivery & Lifecycle Information:

Vicor:

[MI-LC20-MY](#) [MI-LC20-IW](#) [MI-LC63-IW](#) [MI-NC21-IS](#) [MI-NC21-IS-H1](#) [MI-NC23-IS-CC](#) [MI-NC23-IS-H1](#) [MI-NC2L-IS](#) [MI-NC63-IS-H1](#) [MI-RC2144-IWWW](#) [MI-RC21YY-IYXX](#) [MI-RC220Y-IYYY](#) [MI-RC220Y-MXYW](#) [MI-RC2210-IWYY](#) [MI-RC2211-MXYX](#) [MI-RC2111-MWWW](#) [MI-RC2113-IWWW](#) [MI-RC2113-MYWW-H1](#) [MI-RC211N-IYYW](#) [MI-RC2122-IYYY](#) [MI-RC2123-MWWW](#) [MI-RC2Y11-IYYY](#) [MI-PC211-IXY](#) [MI-PC211-IYY](#) [MI-RC2111-IWWW-H1](#) [MI-RC2111-IWXX](#) [MI-RC2111-IXXX](#) [MI-RC2Y11-IVYY-H1](#) [MI-RC2Y11-IWWW](#) [MI-RC2Y11-IWWY](#) [MI-RC2Y11-IWYY](#) [MI-RC2Y11-IXY](#) [MI-RC2Y11-IYWW](#) [MI-RC2R13-IXWW](#) [MI-RC2VPV-IWYW](#) [MI-RC2Y00-IVWX](#) [MI-RC2Y00-IWY](#) [MI-RC2Y00-IYYY](#) [MI-RC2Y01-IVWW](#) [MI-PC221-IWY](#) [MI-PC221-IYY](#) [MI-RC20Y1-MWWY](#) [MI-RC2MM0-IWWY](#) [MI-RC2MM0-IYYY](#) [MI-RC2N12-IWYX](#) [MI-PC220-IWY](#) [MI-PC220-IWY-H1](#) [MI-PC220-IYX](#) [MI-PC220-IYY](#) [MI-PC220-MWY](#) [MI-PC220-MYY](#) [MI-RC2011-MYXX](#) [MI-RC2011-MYYY](#) [MI-RC2012-IWWW](#) [MI-RC2012-IXYY](#) [MI-RC2012-IYYY](#) [MI-PC21Y-MYY](#) [MI-RC2011-IWWW-CC](#) [MI-RC2011-IWWW-H1](#) [MI-RC2011-MXYX](#) [MI-RC2011-MYWW](#) [MI-RC2011-MYWW-H1](#) [MI-RC2011-MYWY](#) [MI-RC2002-MXYW-H1](#) [MI-RC2002-MYXX](#) [MI-RC2002-MYYX](#) [MI-RC200L-MXXW](#) [MI-RC200Y-IYYY](#) [MI-RC2011-IWWW](#) [MI-RC2002-IWWY](#) [MI-RC2002-IYYY](#) [MI-RC2002-IYYY-CC](#) [MI-RC2002-MWY](#) [MI-RC2002-MXXX](#) [MI-RC2002-MXYW](#) [MI-RC2001-MWWW](#) [MI-RC2001-MXWW](#) [MI-RC2001-MXYX](#) [MI-RC2001-MYWW](#) [MI-RC2001-MYYW](#) [MI-RC2001-MYYY](#) [MI-RC2001-IWWW-H1](#) [MI-RC2001-IWWX](#) [MI-RC2001-IWYY-H1](#) [MI-RC2001-IXWW](#) [MI-RC2001-IYWY](#) [MI-RC2001-IYYY](#) [MI-PC2Y0-IX-CC](#) [MI-PC2Y0-IYY](#) [MI-PC2Y0-IYY-CC](#) [MI-RC2000-IYYY](#) [MI-RC2000-MXXW](#) [MI-RC2001-IWWW](#) [MI-PC2Y0-IXW](#) [MI-PC2Y0-IXX](#) [MI-PC2Y0-IXX-CC](#) [MI-PC2Y0-IXY](#) [MI-PC2Y0-IXY-CC](#) [MI-PC2Y0-IYX](#) [MI-QC201-MUW-CC](#)