

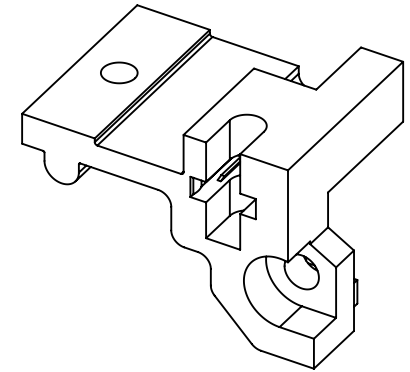
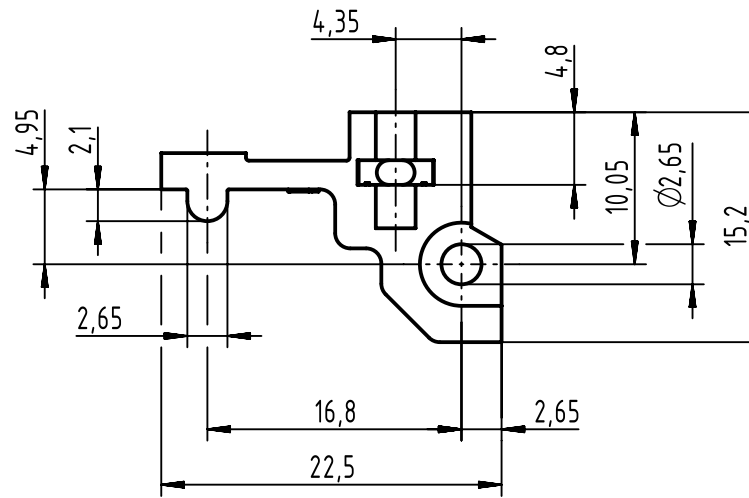
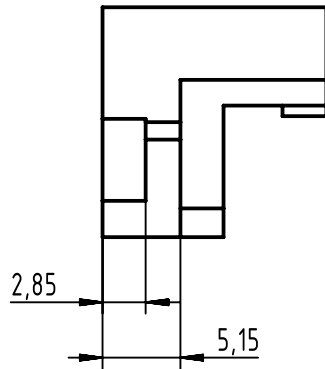
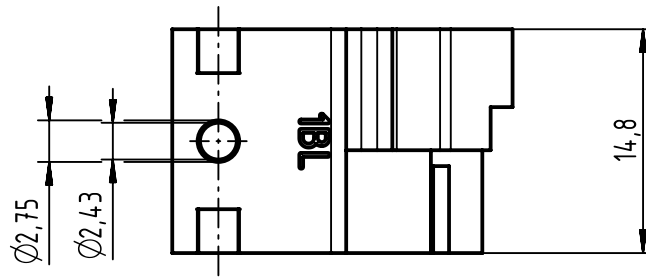
1 2 3 4 5 6


A

B

C

D



	All rights reserved Department EC PD - DE	Scale 2:1 Free size tol.			Ref. Sub.		
		Created by KAHLERK Inspected by ZWAHR Standardisation HOFFMANN			Date 2017-03-17 State Final Release		
HARTING Electronics GmbH D-32339 Espelkamp		Title fixing bracket BL 15mm				Doc-Key / ECM-Nr. 100106604 / UGD/004/B 500000116938	
		Type TB		Number 09060009909		Rev. B	Page 1/1

Mouser Electronics

Authorized Distributor

Click to View Pricing, Inventory, Delivery & Lifecycle Information:

[HARTING:](#)

[09060009909](#)