

Click [here](#) to ask about the production status of specific part numbers.

MAX20461

Automotive High-Current Step-Down Converter with USB-C Protection/Host Charger

General Description

The MAX20461 combines a 3A high-efficiency, automotive-grade, step-down converter, a USB Type-C/BC1.2 host charger emulator, and high bandwidth USB protection switches for automotive USB 2.0 host applications. The device also includes a USB load current-sense amplifier and a configurable feedback-adjustment circuit that provides automatic USB voltage compensation for voltage drops in captive cables often found in automotive applications. The device limits the USB load current using both a fixed internal peak-current threshold and a user-configurable external current-sense USB load threshold.

The MAX20461 is optimized for high-frequency operation and includes programmable frequency selection from 310kHz to 2.2MHz, allowing optimization of efficiency, noise, and board space based on the application requirements. The fully synchronous DC-DC converter integrates high-side and low-side MOSFETs with an external SYNC input/output, and can be configured for spread-spectrum operation.

The MAX20461 allows flexible configuration and advanced diagnostic options for both stand-alone and supervised applications. The device can be programmed using either external programming resistors and/or internal I²C registers via the I²C bus.

The MAX20461 is available in a small 5mm x 5mm 32-pin TQFN package and is designed to minimize required external components and layout area.

Applications

- Automotive Radio and Navigation
- USB Port for Host and Hub Applications
- Automotive Connectivity/Telematics

Benefits and Features

- One-Chip Type-C Solution Directly from Car Battery to Portable Device
 - MAX20461: USB Type-C Compliant DFP Controller with V_{CONN} Protection
 - MAX20461A: USB Type-C Compliant DFP Controller
 - 1GHz Bandwidth USB 2.0 Data Switches
 - 4.5V to 28V Input (40V Load Dump), Synchronous Buck Converter
 - 5V to 7V, 3A Output Capability
- Optimal USB Charging and Communication for Portable Devices
 - User-Programmable Voltage Gain Adjusts Output for Up to 474mΩ Cable Resistance
 - User-Programmable USB Current Limit
 - Type-C Cable Orientation Indicator for USB3 Applications
 - Supports USB BC1.2 CDP and SDP Modes
 - Compatible with USB On-the-Go Specification and Apple CarPlay®
- Low-Noise Features Prevent Interference with AM Band and Portable Devices
 - Fixed-Frequency 310kHz to 2.2MHz Operation
 - Fixed-PWM Option at No Load
 - Spread Spectrum for EMI Reduction
 - SYNC Input/Output for Frequency Parking
- Robust Design Keeps Vehicle System and Portable Device Safe in an Automotive Environment
 - Short-to-Battery Protection on VBUS, HVD± Pins
 - CC1 and CC2 Tolerant to 20V Transients
 - Advanced Diagnostics Through I²C Bus
 - ±25kV Air/±8kV Contact ISO 10605 (330pF, 2kΩ)*
 - ±15kV Air/±8kV Contact ISO 10605 (330pF, 2kΩ)**
 - ±15kV Air/±8kV Contact ISO 10605 (330pF, 330Ω)*
 - ±15kV Air/±8kV Contact IEC 61000-4-2 (150pF, 330Ω)*
 - Overtemperature Protection, Warning, and Intelligent Current Foldback
 - -40°C to +125°C Operating Temperature Range

*Tested in [Typical Application Circuit](#) as used on the MAX20461 Evaluation Kit with 1m captive cable.

**Tested in [Typical Application Circuit](#) as used on the MAX20461 Evaluation Kit without 1m captive cable.

Ordering Information appears at end of datasheet.

Apple and CarPlay are registered trademarks of Apple Inc.



Simplified Block Diagram

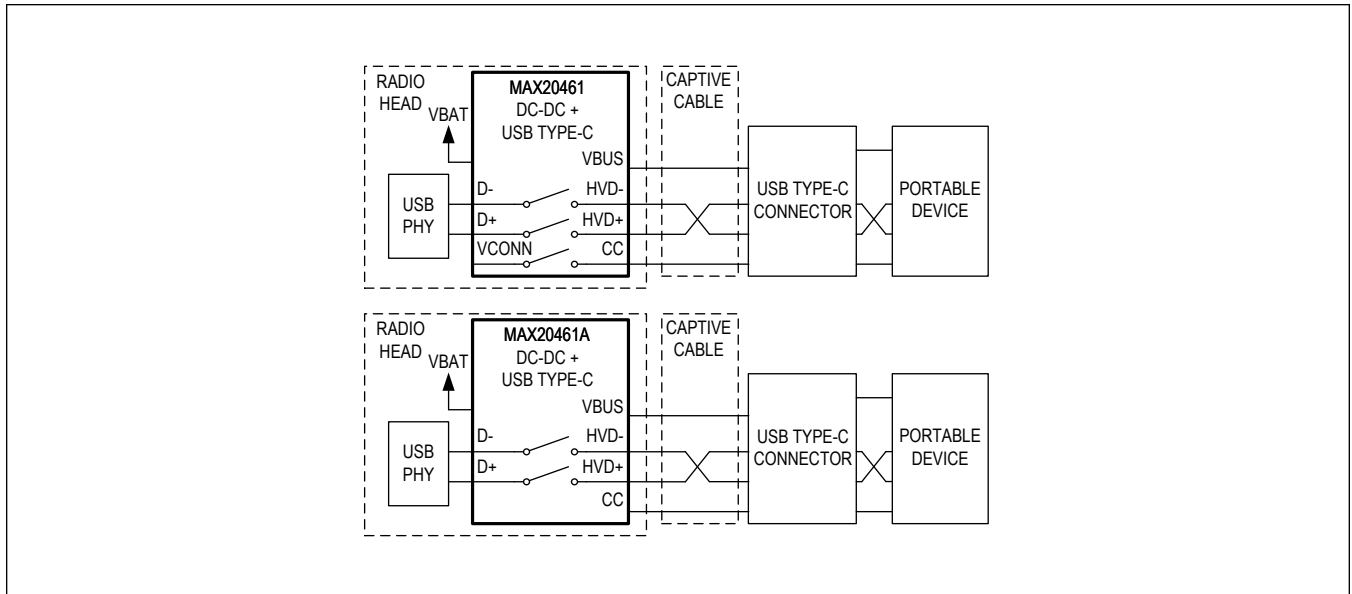


TABLE OF CONTENTS

General Description	1
Applications	1
Benefits and Features	1
Simplified Block Diagram	2
Absolute Maximum Ratings	8
Package Information	8
32 Pin TQFN 5x5x0.75mm	8
Electrical Characteristics	9
Typical Operating Characteristics	15
Pin Configurations	18
MAX20461	18
MAX20461A	18
Pin Description	19
Functional Diagrams	20
On-Channel -3dB Bandwidth and Crosstalk	20
On-Capacitance	21
DCDC_ON Reset Behavior and Timing Diagram	21
ADC Timing Diagram	22
ATTACH Logic Diagram	23
Cable Attach-Detach and SENSEN Discharge Timing Diagram	23
Detailed Block Diagram	24
Detailed Description	26
USB Type-C	26
Configuration Channel (CC1 and CC2)	26
CC Polarity Output Pin (CC_POL)	28
V _{CONN} (MAX20461 Only)	28
V _{BUS}	29
External FET Gate Drive (G_DMOS Pin)	30
Legacy Devices	30
Power-Up and Enabling	30
System Enable (HVEN)	30
DC-DC Enable (ENBUCK)	30
3.3V Input (IN)	30
Linear Regulator Output (BIAS)	30
Power-On Sequencing	30
Step-Down DC-DC Regulator	31
Step-Down Regulator	31
Wide Input Voltage Range	31

TABLE OF CONTENTS (CONTINUED)

Maximum Duty-Cycle Operation	31
Output Voltage (SENSP)	31
Soft-Start	31
Reset Behavior	31
Reset Criteria	31
Switching Frequency Configuration	32
Switching Frequency Synchronization (SYNC Pin)	32
Forced-PWM Operation	32
Intelligent Skip-Mode Operation and Attach Detection	32
Spread-Spectrum Option	33
Current Limit	33
Output Short-Circuit Protection	33
Thermal Overload Protection	33
Pre-Thermal Overload Warning	33
Automatic Thermal Foldback	34
USB Current Limit and Output Voltage Adjustment	34
Current-Sense Amplifier (SENSP, SENSN)	34
USB DC Current Limit Configuration	34
Voltage Feedback Adjustment Configuration	34
Remote Sense Feedback Adjustment	34
High Voltage Modes Configuration	35
USB Protection Switches and BC1.2 Host Charger Emulation	35
USB Protection Switches	35
USB Host Charger Emulator	35
USB On-The-Go and Dual-Role Applications	37
I ² C, Control, and Diagnostics	37
I ² C Configuration (CONFIG1 and I ² C)	37
Stand-Alone Configuration (CONFIG1–CONFIG3)	38
I ² C Diagnostics and Event Handling	39
Interrupt and Attach Output (INT(ATTACH))	39
I ² C Output Voltage and Current Measurement	40
I ² C Interface	40
Bit Transfer	41
STOP and START Conditions	41
Early STOP Condition	41
Clock Stretching	41
I ² C General Call Address	41
I ² C Slave Addressing	42

TABLE OF CONTENTS (CONTINUED)

Acknowledge	42
Write Data Format	42
Read Data Format	42
Fault Detection and Diagnostics	43
Fault Detection	43
Fault Output Pin (FAULT)	43
Register Map	45
Summary Table	45
Register Details	45
Applications Information	56
DC-DC Switching Frequency Selection	56
DC-DC Input Capacitor Selection	56
DC-DC Output Capacitor Selection	56
DC-DC Output Inductor Selection	57
Layout Considerations	57
Determining USB System Requirements	57
USB Loads	57
USB Output Current Limit	58
USB Voltage Adjustment	58
Tuning of USB Data Lines	59
USB Data Line Common-Mode Choke Placement	60
ESD Protection	60
ESD Test Conditions	61
Human Body Model	61
IEC 61000-4-2	61
Typical Application Circuits	63
Typical Application Circuit	63
Ordering Information	64
Revision History	65

LIST OF FIGURES

Figure 1. Type-C Pullup Model	28
Figure 2. USB Type-C Block Diagram	29
Figure 3. Remote Cable-Sense Diagram	35
Figure 4. Data Switch and Charge-Detection Block Diagram	37
Figure 5. I ² C Timing Diagram	41
Figure 6. START, STOP and REPEATED START Conditions	41
Figure 7. Acknowledge Condition	42
Figure 8. Data Format of I ² C Interface	43
Figure 9. DC Voltage Adjustment Model	59
Figure 10. Increase in SENSP vs. USB Current	59
Figure 11. Tuning of Data Lines	60
Figure 12. Near-Eye Diagram (with No Switch)	60
Figure 13. Untuned Near-Eye Diagram (with MAX20461)	60
Figure 14. Human Body ESD Test Model	61
Figure 15. IEC 61000-4-2 ESD Test Model	62
Figure 16. Human Body Current Waveform	62
Figure 17. IEC 61000-4-2 Current Waveform	62

LIST OF TABLES

Table 1. Charge Detection Precedence	26
Table 2. CC Pulldown Response	27
Table 3. CC Pulldown Response (MAX20461A).....	27
Table 4. Type-C Source V_{CONN} Requirements	28
Table 5. DC-DC Converter Intelligent Skip Mode Truth Table	32
Table 6. Data Switch Mode Truth Table (I ² C Variant, ATJA)	35
Table 7. Data Switch Mode Truth Table (Standalone Variant, ATJD).....	36
Table 8. CONFIG1 Pin Table (I ² C Version)	38
Table 9. CONFIG1 Pin Table (Standalone Variants)	38
Table 10. CONFIG2 and CONFIG3 Pin Table (Standalone Variants)	39
Table 11. I ² C Slave Addresses	42
Table 12. Fault Conditions	43
Table 13. Recommended Output Filters For I_{LOAD} of 3A.....	57

Absolute Maximum Ratings

SUPSW to PGND	-0.3V to +40V	LX Continuous RMS Current	3.5A
HVEN to PGND	-0.3V to $V_{SUPSW}+0.3V$	Output Short-Circuit Duration.....	Continuous
LX to PGND (Note 1).....	-0.3V to $V_{SUPSW}+0.3V$	Thermal Characteristics	
SYNC to AGND	-0.3V to $V_{BIAS}+0.3V$	Continuous Power Dissipation - Single Layer Board ($T_A = +70^{\circ}C$, 32-TQFN (derate 21.3mW/ $^{\circ}C$ above $+70^{\circ}C$))....	1702.1 mW
SENSN, SENSP, VBMON to AGND	-0.3V to $V_{SUPSW}+0.3V$	Continuous Power Dissipation - Multi Layer Board ($T_A = +70^{\circ}C$, 32-TQFN (derate 34.5mW/ $^{\circ}C$ above $+70^{\circ}C$))....	2758.6 mW
AGND to PGND	-0.3V to +0.3V	Operating Temperature Range	-40 $^{\circ}C$ to +125 $^{\circ}C$
BST to PGND	-0.3V to +46V	Junction Temperature	+150 $^{\circ}C$
BST to LX	-0.3V to +6V	Storage Temperature Range.....	-40 $^{\circ}C$ to +150 $^{\circ}C$
IN, CONFIG1, ENBUCK, SDA (CONFIG2), SCL (CONFIG3), BIAS, BCMODE, FAULT, CC_POL (SHIELD), CC1, CC2, VCONN, INT(ATTACH) to AGND	-0.3V to +6V	Lead Temperature (soldering, 10s).....	+300 $^{\circ}C$
HVDP, HVDM to AGND.....	-0.3V to +18V	Soldering Temperature (reflow).....	+260 $^{\circ}C$
DP, DM to AGND.....	-0.3V to $V_{IN}+0.3V$		
G_DMOS to AGND.....	-0.3V to +16V		

Note 1: Self-protected from transient voltages exceeding these limits for $\leq 50ns$ in circuit under normal operation.

Stresses beyond those listed under "Absolute Maximum Ratings" may cause permanent damage to the device. These are stress ratings only, and functional operation of the device at these or any other conditions beyond those indicated in the operational sections of the specifications is not implied. Exposure to absolute maximum rating conditions for extended periods may affect device reliability.

Package Information

32 Pin TQFN 5x5x0.75mm

Package Code	T3255+4C
Outline Number	21-0140
Land Pattern Number	90-0012
Thermal Resistance, Single-Layer Board:	
Junction to Ambient (θ_{JA})	47 $^{\circ}C/W$
Junction to Case (θ_{JC})	1.70 $^{\circ}C/W$
Thermal Resistance, Four-Layer Board:	
Junction to Ambient (θ_{JA})	29 $^{\circ}C/W$
Junction to Case (θ_{JC})	1.70 $^{\circ}C/W$

For the latest package outline information and land patterns (footprints), go to www.maximintegrated.com/packages. Note that a "+", "#", or "-" in the package code indicates RoHS status only. Package drawings may show a different suffix character, but the drawing pertains to the package regardless of RoHS status.

Package thermal resistances were obtained using the method described in JEDEC specification JESD51-7, using a four-layer board. For detailed information on package thermal considerations, refer to www.maximintegrated.com/thermal-tutorial.

Electrical Characteristics

($V_{S\text{UPSW}} = 14\text{V}$, $V_{\text{IN}} = 3.3\text{V}$, $V_{\text{ENBUCK}} = 3.3\text{V}$, $V_{\text{VCONN}} = 5\text{V}$, Temperature = $T_A = T_J = -40^\circ\text{C}$ to $+125^\circ\text{C}$, unless otherwise noted., Actual typical values may vary and are not guaranteed.)

PARAMETER	SYMBOL	CONDITIONS	MIN	TYP	MAX	UNITS
Power Supply and Enable						
Supply Voltage Range	$V_{\text{S\text{UPSW}}}$	(Note 2)	4.5		28	V
Load Dump Event Supply Voltage Range	$V_{\text{S\text{UPSW_LD}}}$	< 1s			40	V
Supply Current - Off State	$I_{\text{S\text{UPSW}}}$	$V_{\text{S\text{UPSW}}} = 18\text{V}$; $V_{\text{HVEN}} = 0\text{V}$; $V_{\text{IN}} = 0\text{V}$; $V_{\text{CONN}} = 0\text{V}$, Off State		10	20	μA
Supply Current - Buck Off	$I_{\text{S\text{UPSW}}}$	$V_{\text{HVEN}} = 14\text{V}$; $V_{\text{ENBUCK}} = 0\text{V}$		1.1		mA
Supply Current - Skip Mode	$I_{\text{S\text{UPSW}}}$	$V_{\text{HVEN}} = 14\text{V}$; buck switching; no load		1.8		mA
Supply Current - FPWM	$I_{\text{S\text{UPSW}}}$	$V_{\text{HVEN}} = 14\text{V}$; buck switching; no load		28		mA
BIAS Voltage	V_{BIAS}	$5.75\text{V} \leq V_{\text{S\text{UPSW}}} \leq 28\text{V}$	4.5	4.7	5.25	V
BIAS Current Limit			50	150		mA
BIAS Undervoltage Lockout	$V_{\text{UV_BIAS}}$	V_{BIAS} rising	3.0	3.3	3.6	V
BIAS Undervoltage Lockout Hysteresis				0.2		V
SUPSW Undervoltage Lockout	$V_{\text{UV_SUPSW}}$	$V_{\text{S\text{UPSW}}}$ rising	3.9		4.42	V
SUPSW Undervoltage Lockout Hysteresis				0.2		V
IN Voltage Range	V_{IN}		3		3.6	V
IN Overvoltage Lockout	$V_{\text{IN_OVLO}}$	V_{IN} rising	3.8	4	4.3	V
IN Input Current	I_{IN}				10	μA
HVEN Rising Threshold	$V_{\text{HVEN_R}}$		0.6	1.5	2.4	V
HVEN Falling Threshold	$V_{\text{HVEN_F}}$				0.4	V
HVEN Hysteresis	V_{HVEN}			0.2		V
HVEN Delay Rising	$t_{\text{HVEN_R}}$		2.5		15	μs
HVEN Delay Falling	$t_{\text{HVEN_F}}$		5	12	25	μs
HVEN Input Leakage		$V_{\text{HVEN}} = V_{\text{S\text{UPSW}}} = 18\text{V}$, $V_{\text{HVEN}} = 0\text{V}$			10	μA
G_DMOS Pin						
G_DMOS Unloaded Output Voltage	$V_{\text{G_DMOS_OC}}$	$V_{\text{G_DMOS}}$ to V_{BIAS} , internal discharge path $2\text{M}\Omega$ to GND	7	10	13.0	V
G_DMOS Output Impedance	$R_{\text{G_DMOS_OC}}$			100	250	k Ω
G_DMOS DC Output Current	$I_{\text{G_DMOS_SC}}$	G_DMOS to BIAS		20		μA
USB Type C / Power Requirements (MAX20461 Only)						
VCONN Source Voltage Input	$V_{\text{VCONN_IN}}$	1W (3.3V/305mA, 5.5V/185mA) (Note 3)	3.3		5.5	V

Electrical Characteristics (continued)

($V_{SUPSW} = 14V$, $V_{IN} = 3.3V$, $V_{ENBUCK} = 3.3V$, $V_{VCONN} = 5V$, Temperature = $T_A = T_J = -40^{\circ}C$ to $+125^{\circ}C$, unless otherwise noted., Actual typical values may vary and are not guaranteed.)

PARAMETER	SYMBOL	CONDITIONS	MIN	TYP	MAX	UNITS
VCONN On Resistance	R_{ON_VCONN}	Resistance from V_{CONN} to CC1 and CC2, $V_{CONN} = 5V$		600	1200	m Ω
VCONN Current Limit	I_{LIM_VCONN}	Measured on CC1 and CC2. $3.60V \leq V_{CONN} \leq 5.5V$	310	400		mA
VCONN UVLO Threshold	V_{VCONN_UVLO}		2.2	2.45	2.65	V
VCONN to CC1/CC2 Discharge Resistance	R_{DCH}			3	6.2	k Ω
USB Type C / Current Level Characteristics						
CC DFP 0.5A Current Source	$I_{DFP0.5_CC}$	$4.0V < V_{BIAS} < 5.5V, \pm 20\%$	64	80	96	μA
CC DFP 1.5A Current Source	$I_{DFP1.5_CC}$	$4.0V < V_{BIAS} < 5.5V, \pm 8\%$	166	180	194	μA
CC DFP 3.0A Current Source	$I_{DFP3.0_CC}$	$4.0V < V_{BIAS} < 5.5V, \pm 8\%$	304	330	356	μA
USB Type C / Timing Characteristics						
Type-C CC Pin Detection Debounce	$t_{CCDEBOUNCE}$	Final transition to Attached states		160		ms
DP, DM Analog USB Switches						
On-Channel -3dB Bandwidth	BW	$R_L = R_S = 50\Omega$		1000		MHz
Analog Signal Range			0		3.6	V
Protection Trip Threshold	V_{OV_D}		3.65	3.85	4.1	V
Protection Response Time	t_{FP_D}	$V_{IN} = 4.0V, V_{HVD\pm} = 3.3V$ to $4.3V$ step, $R_L = 15k\Omega$ on $D\pm$, delay to $V_{D\pm} < 3V$		2		μs
On-Resistance Switch A	R_{ON_SA}	$I_L = 10mA, V_{D\pm} = 0V$ to $V_{IN}, V_{IN} = 3.0V$ to $3.6V$		4	8	Ω
On-Resistance Match between Channels Switch A	ΔR_{ON_SA}	$I_L = 10mA, V_{D\pm} = 1.5V$ or $3.0V$			0.2	Ω
On-Resistance Flatness Switch A	$R_{FLAT(ON)A}$	$I_L = 10mA, V_{D_} = 0V$ or $0.4V$		0.01		Ω
On Resistance of HVD+/HVD- short	R_{SHORT}	$V_{DP} = 1V, I_{DM} = 500\mu A$		90	180	Ω
HVD+/HVD- On-Leakage Current	I_{HVD_ON}	$V_{HVD\pm} = 3.6V$ or $0V$	-7		7	μA
HVD+/HVD- Off-Leakage Current	I_{HVD_OFF}	$V_{HVD\pm} = 18V, V_{D\pm} = 0V$			150	μA
D+/D- Off-Leakage Current	I_{D_OFF}	$V_{HVD\pm} = 18V, V_{D\pm} = 0V$	-1		1	μA

Electrical Characteristics (continued)

($V_{SUPSW} = 14V$, $V_{IN} = 3.3V$, $V_{ENBUCK} = 3.3V$, $V_{VCONN} = 5V$, Temperature = $T_A = T_J = -40^{\circ}C$ to $+125^{\circ}C$, unless otherwise noted., Actual typical values may vary and are not guaranteed.)

PARAMETER	SYMBOL	CONDITIONS	MIN	TYP	MAX	UNITS
Current-Sense Amplifier (SENSP, SENSN) and Analog Inputs (VBMON)						
Gain		$10mV < V_{SENSP} - V_{SENSN} < 110mV$, GAIN[4:0] = 0b11111		19.4		V/V
Cable Compensation LSB	R_{LSB}			18		m Ω
Overcurrent Threshold	ILIM_SET	ILIM[2:0] = 0b111, $R_{SENSE} = 33m\Omega$	3.04	3.14	3.30	A
		ILIM[2:0] = 0b110, $R_{SENSE} = 33m\Omega$	2.6	2.75	2.9	
		ILIM[2:0] = 0b101, $R_{SENSE} = 33m\Omega$	2.1	2.25	2.4	
		ILIM[2:0] = 0b100, $R_{SENSE} = 33m\Omega$	1.62	1.7	1.78	
		ILIM[2:0] = 0b011, $R_{SENSE} = 33m\Omega$	1.05	1.13	1.21	
		ILIM[2:0] = 0b010, $R_{SENSE} = 33m\Omega$	0.8	0.86	0.92	
		ILIM[2:0] = 0b001, $R_{SENSE} = 33m\Omega$	0.55	0.6	0.65	
ILIM[2:0] = 0b000, $R_{SENSE} = 33m\Omega$	0.3	0.33	0.36			
SENSN / VBMON Discharge Current	I_{SENSN_DIS}		11	18	32	mA
Startup Wait Time	t_{BUCK_WAIT}			100		ms
SENSN / VBMON Discharge Time	t_{DIS_POR}	Discharge after POR		1		s
	t_{DIS_CD}	DCDC_ON toggle		2		
	t_{DIS_DET}	Type-C detach		100		ms
Forced Buck Off-Time	$t_{BUCKOFF_CD}$	DCDC_ON toggle; see reset criteria		2		s
	$t_{BUCKOFF_DET}$	Type-C detach		100		ms
Attach Comparator Load Current Rising Threshold		Common mode input = 5.15V	5	16	28	mA
Attach Comparator Hysteresis		Common mode input = 5.15V		2.5		mA
SENSN Undervoltage Threshold (Falling)	V_{UV_SENSN}		4	4.375	4.75	V
SENSN Overvoltage Threshold (Rising)	V_{OV_SENSN}		7	7.46	7.9	V
SENSN Short Circuit Threshold (Falling)	V_{SHT_SENSN}		1.75	2	2.25	V
SENSN Undervoltage Fault Blanking Time				16		ms
SENSN Overvoltage Fault Blanking Time	t_{B,OV_SENSN}	From overvoltage condition to \overline{FAULT} asserted		3	6	μ s
SENSN Discharge Threshold Falling		V_{SENSN} Falling	0.47	0.51	0.57	V

Electrical Characteristics (continued)

($V_{SUPSW} = 14V$, $V_{IN} = 3.3V$, $V_{ENBUCK} = 3.3V$, $V_{VCONN} = 5V$, Temperature = $T_A = T_J = -40^{\circ}C$ to $+125^{\circ}C$, unless otherwise noted., Actual typical values may vary and are not guaranteed.)

PARAMETER	SYMBOL	CONDITIONS	MIN	TYP	MAX	UNITS
Remote Feedback Adjustment						
SHIELD Input Voltage Range			0.1		0.75	V
Gain			1.935	2	2.065	V/V
Input Referred Offset Voltage				±2.0		mV
Digital Inputs (SDA, SCL, ENBUCK, BCMODE)						
Input Leakage Current		$V_{PIN} = 5.5V, 0V$	-5		5	μA
Logic High	V_{IH}		1.6			V
Logic Low	V_{IL}				0.5	V
USB 2.0 Host Charger Emulator (HVD+/HVD-, D+/D-)						
Input Logic High	V_{IH}		2.0			V
Input Logic Low	V_{IL}				0.8	V
Data Sink Current	I_{DAT_SINK}	$V_{DAT_SINK} = 0.25V$ to $0.4V$	50	100	150	μA
Data Detect Voltage High	V_{DAT_REFH}		0.4			V
Data Detect Voltage Low	V_{DAT_REFL}				0.25	V
Data Detect Voltage Hysteresis	V_{DAT_HYST}			60		mV
Data Source Voltage	V_{DAT_SRC}	$I_{SRC} = 200\mu A$	0.5		0.7	V
Synchronous Step-Down DC-DC Converter						
PWM Output Voltage	V_{SENSP}	$7V \leq V_{SUPSW} \leq 28V$, No Load		5.15		V
Skip Mode Output Voltage	V_{SENSP_SKIP}	$7V \leq V_{SUPSW} \leq 18V$, No Load (Note 2)		5.25		V
Load Regulation	R_{LR}	$7V \leq V_{SUPSW} \leq 18V$, for 5V nominal output setting		51		mΩ
Output Voltage Accuracy		$8V \leq V_{SUPSW} \leq 18V$, 2.4A, $V_{SENSP} - V_{SENSN} = 79.2mV$, GAIN[4:0] = 0b11111 cable compensation.	6.33		6.68	V
Spread Spectrum Range		SS Enabled		±3.4		%
SYNC Switching Threshold High	V_{SYNC_HI}	Rising	1.4			V
SYNC Switching Threshold Low	V_{SYNC_LO}	Falling			0.4	V
SYNC Internal Pulldown				200		kΩ
SYNC Input Clock Acquisition Time	t_{SYNC}	(Note 4)		1		Cycles
High-Side Switch On-Resistance	R_{ONH}	$I_{LX} = 1A$		54	95	mΩ

Electrical Characteristics (continued)

($V_{SUPSW} = 14V$, $V_{IN} = 3.3V$, $V_{ENBUCK} = 3.3V$, $V_{VCONN} = 5V$, Temperature = $T_A = T_J = -40^{\circ}C$ to $+125^{\circ}C$, unless otherwise noted., Actual typical values may vary and are not guaranteed.)

PARAMETER	SYMBOL	CONDITIONS	MIN	TYP	MAX	UNITS
Low-Side Switch On-Resistance	R_{ONL}	$I_{LX} = 1A$		72	135	m Ω
BST Input Current	I_{BST}	$V_{BST} - V_{LX} = 5V$, High-side on		2.2		mA
LX Current-Limit Threshold				5		A
Skip Mode Peak-Current Threshold	I_{SKIP_TH}			1		A
Negative Current Limit				1.2		A
Soft-Start Ramp Time	t_{SS}			8		ms
LX Rise Time		(Note 4)		3		ns
LX Fall Time		(Note 4)		4		ns
BST Refresh Algorithm Low-Side Minimum On-Time				60		ns
CC_POL, FAULT, INT (ATTACH), SYNC Outputs						
Output-High Leakage Current		\overline{FAULT} , $\overline{INT(ATTACH)}$, $CC_POL = 5.5V$	-10		10	μA
Output Low Level		Sinking 1mA			0.4	V
SYNC Output High Level		Sourcing 1mA, SYNC configured as output	$V_{BIAS} - 0.4$			V
Config Resistors Converter						
CONFIG1-3 Current Leakage		$V_{CONFIG} = 0V$ to $4V$			± 5	μA
Minimum Window Amplitude			-4		4	%
ADC						
Resolution				8		Bits
ADC Gain Error				± 2		LSBs
Offset Error	Offset_ADC			± 1		LSB
Oscillators						
Internal High-Frequency Oscillator	HFOSC		7	8	9	MHz
Buck Oscillator Frequency	f_{SW}	$FSW[2:0] = 0b000$	1.95	2.2	2.45	MHz
Buck Oscillator Frequency	f_{SW}	$FSW[2:0] = 0b101$	340	410	480	kHz
Thermal Overload						
Thermal Warning Temperature				140		$^{\circ}C$
Thermal Warning Hysteresis				10		$^{\circ}C$

Electrical Characteristics (continued)

($V_{SUPSW} = 14V$, $V_{IN} = 3.3V$, $V_{ENBUCK} = 3.3V$, $V_{VCONN} = 5V$, Temperature = $T_A = T_J = -40^{\circ}C$ to $+125^{\circ}C$, unless otherwise noted., Actual typical values may vary and are not guaranteed.)

PARAMETER	SYMBOL	CONDITIONS	MIN	TYP	MAX	UNITS
Thermal Shutdown Temperature				165		$^{\circ}C$
Thermal Shutdown Hysteresis				10		$^{\circ}C$
I²C						
Serial Clock Frequency	f_{SCL}				400	kHz
Bus Free Time Between STOP and START Condition	t_{BUF}		1.3			μs
START Condition Setup Time	$t_{SU:STA}$		0.6			μs
START Condition Hold Time	$t_{HD:STA}$		0.6			μs
STOP Condition Setup Time	$t_{SU:STO}$		0.6			μs
Clock Low Period	t_{LOW}		1.3			μs
Clock High Period	t_{HIGH}		0.6			μs
Data Setup Time	$t_{SU:DAT}$		100			ns
Data Hold Time	$t_{HD:DAT}$	From 50% SCL falling to SDA change	0.3		0.6	μs
Pulse Width of Spike Suppressed	t_{SP}			50		ns
ESD Protection (All Pins)						
ESD Protection Level	V_{ESD}	Human Body Model		± 2		kV
ESD Protection (HVDP, HVDM, CC1, CC2)						
ESD Protection Level	V_{ESD}	ISO 10605 Air Gap (330pF, 2k Ω)		± 25		kV
		ISO 10605 Contact (330pF, 2k Ω)		± 8		
		IEC 61000-4-2 Air Gap (150pF, 330 Ω)		± 15		
		IEC 61000-4-2 Contact (150pF, 330 Ω)		± 8		
		ISO 10605 Air-Gap (330pF, 330 Ω)		± 15		
		ISO 10605 Contact (330pF, 330 Ω)		± 8		

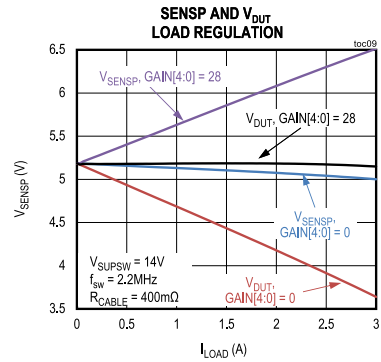
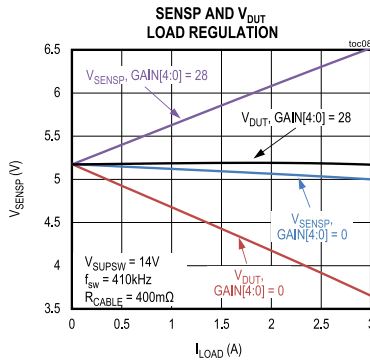
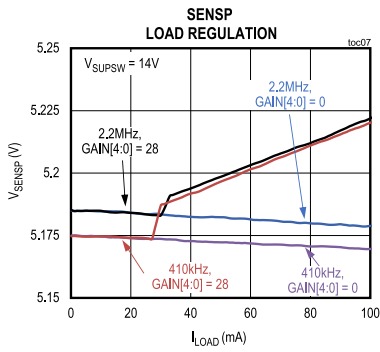
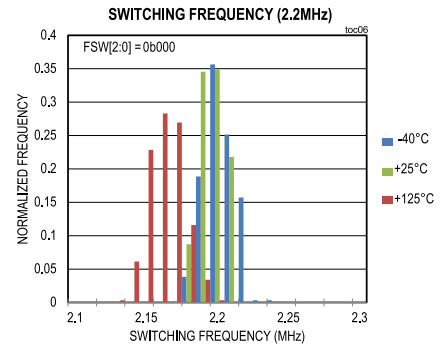
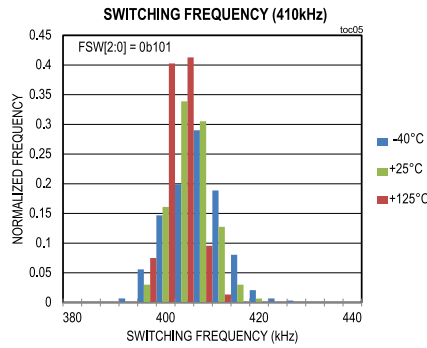
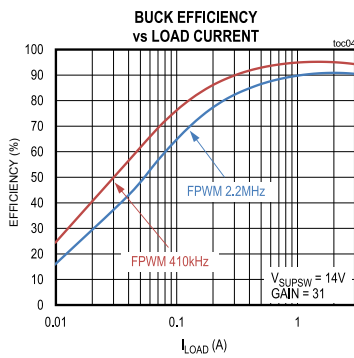
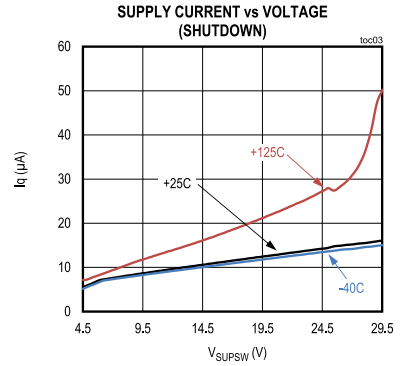
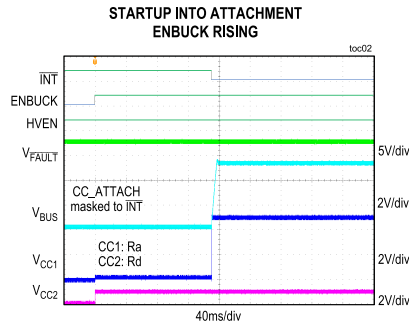
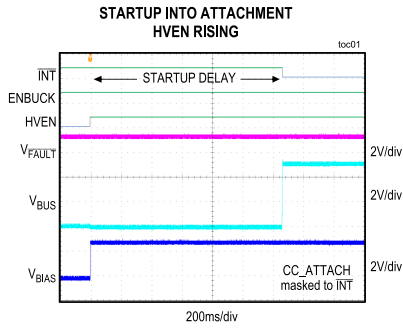
Note 2: Device is designed for use in applications with continuous operation of 14V. Device meets electrical table up to maximum supply voltage.

Note 3: The IR drop of the system must be considered when selecting the V_{CONN} pin source voltage.

Note 4: Guaranteed by design and bench characterization; not production tested.

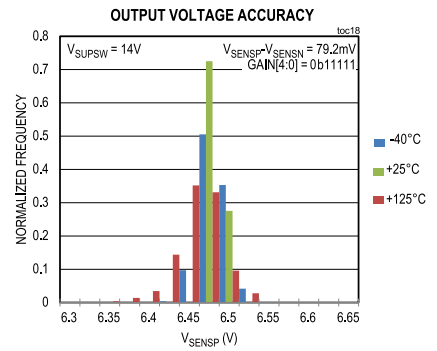
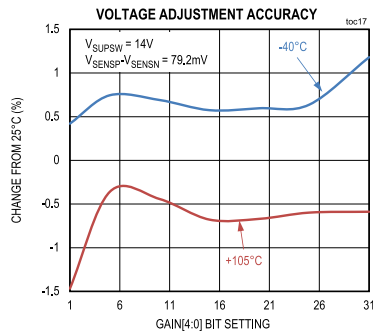
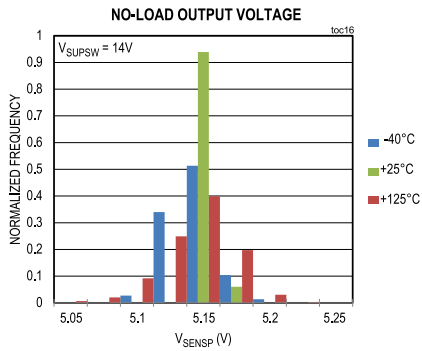
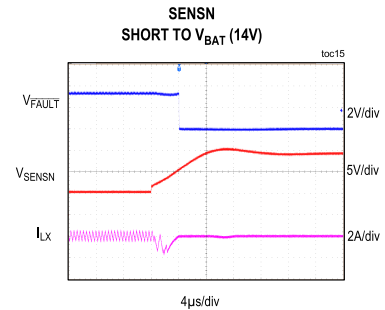
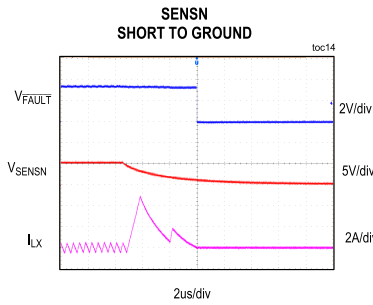
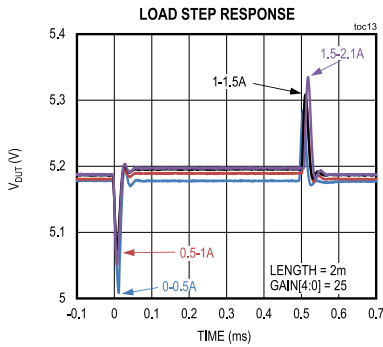
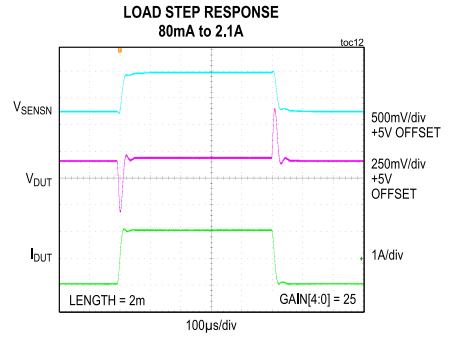
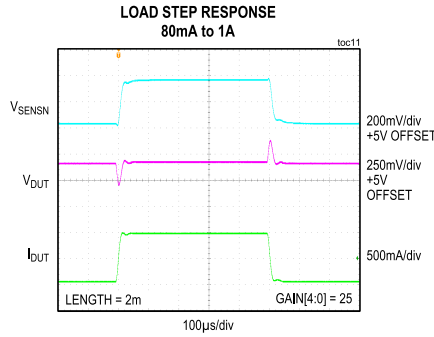
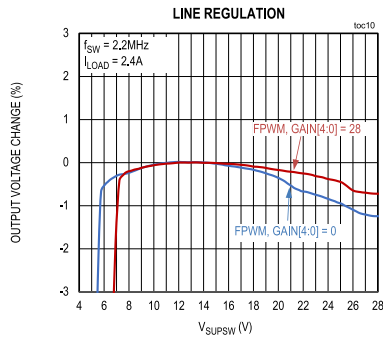
Typical Operating Characteristics

($T_A = +25^\circ\text{C}$, unless otherwise noted.)



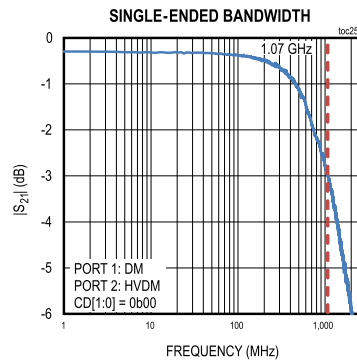
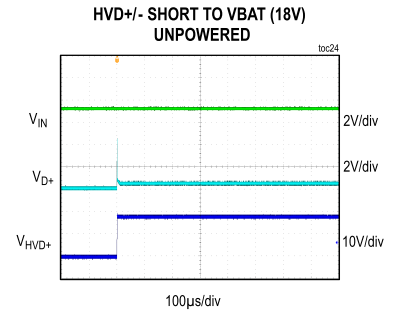
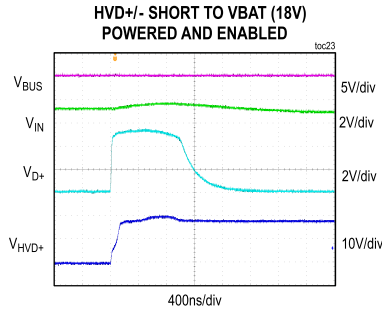
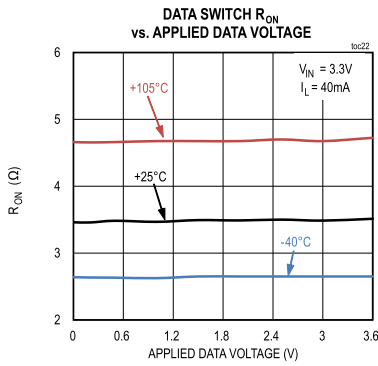
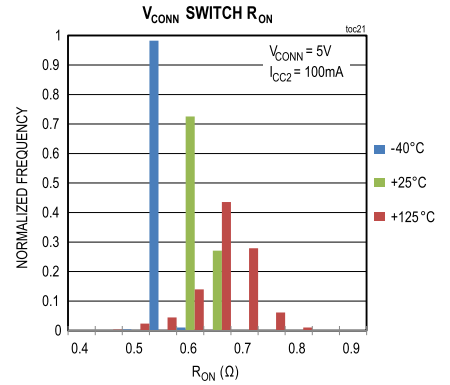
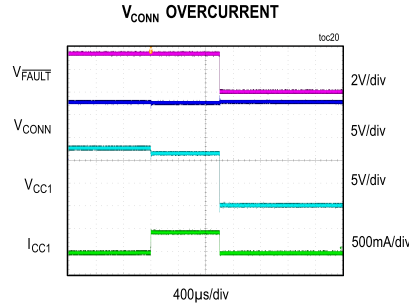
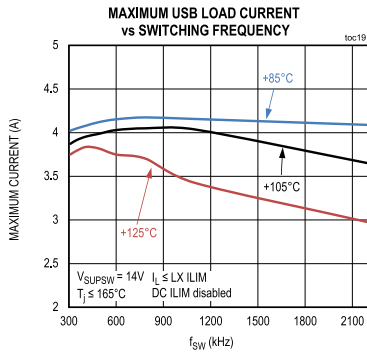
Typical Operating Characteristics (continued)

($T_A = +25^\circ\text{C}$, unless otherwise noted.)



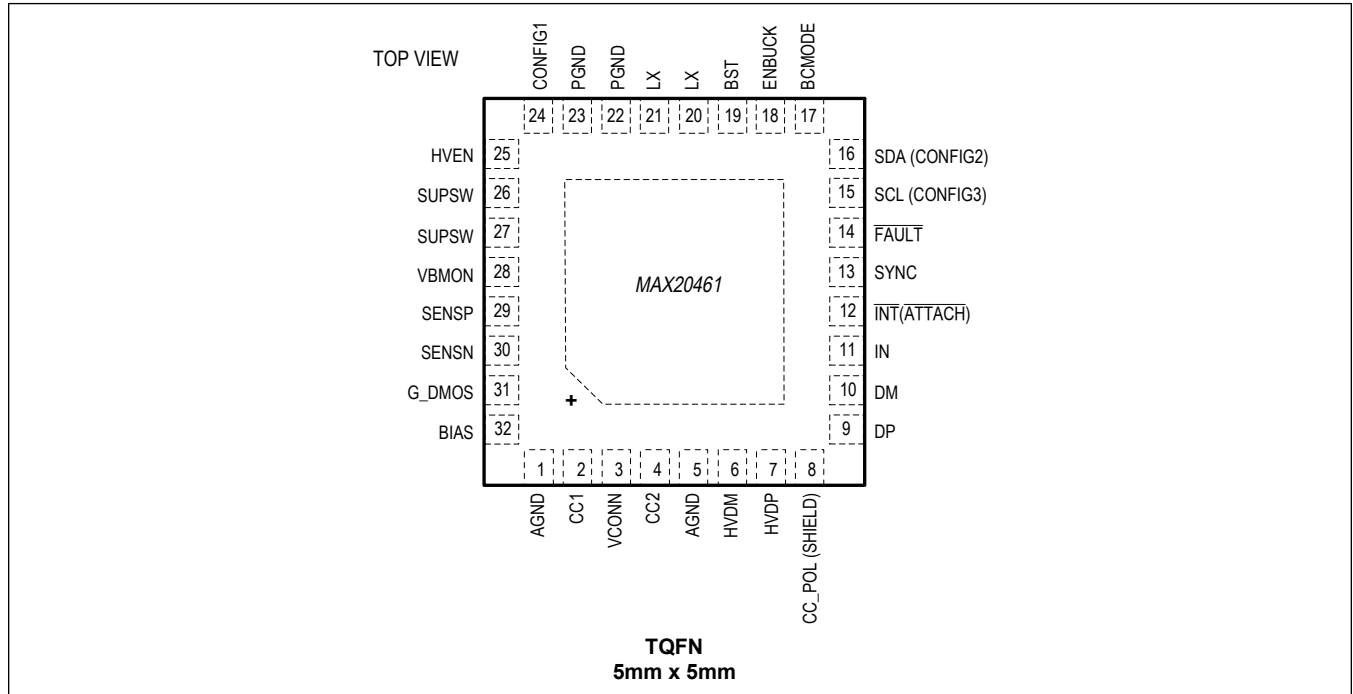
Typical Operating Characteristics (continued)

(T_A = +25°C, unless otherwise noted.)

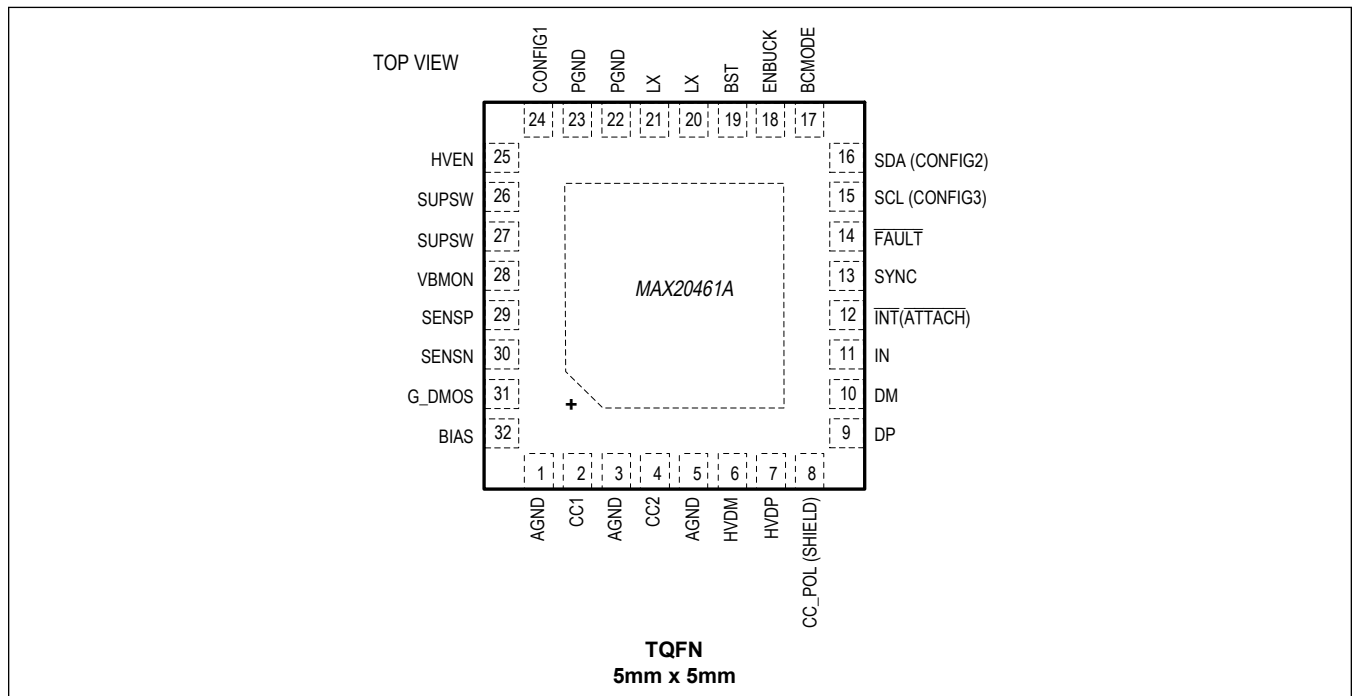


Pin Configurations

MAX20461



MAX20461A



Pin Description

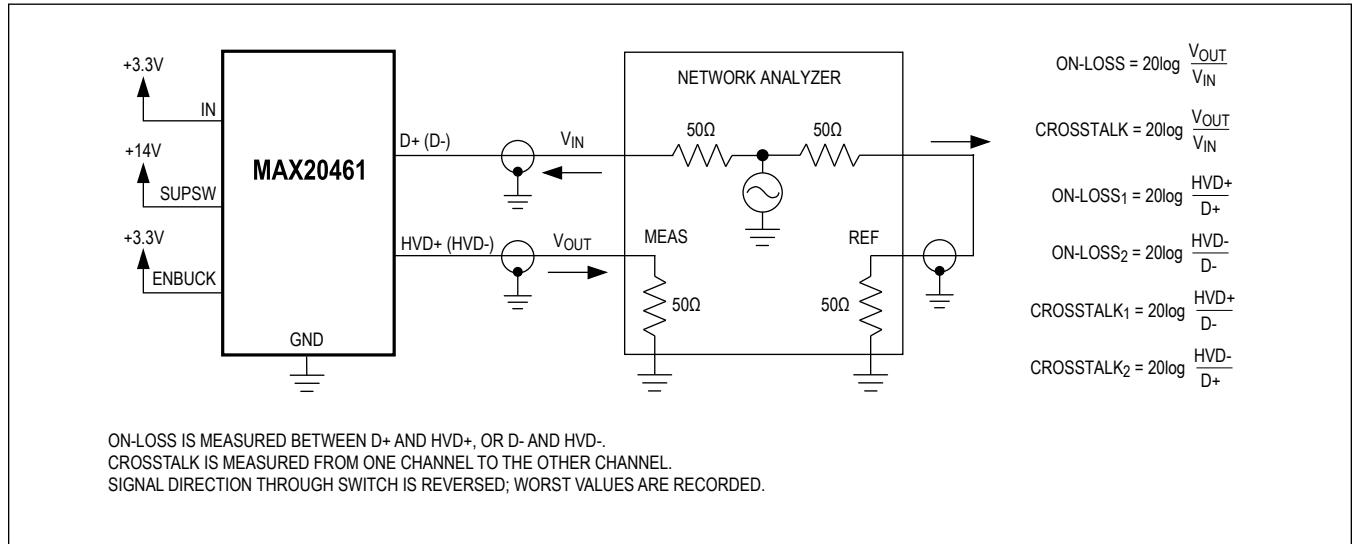
PIN		NAME	FUNCTION
MAX20461	MAX20461A		
1, 5	1, 3, 5	AGND	Analog Ground.
2	2	CC1	Type-C Configuration Channel (CC).
3	—	VCONN	Power Source. Supplies power to the unused CC pin if required.
4	4	CC2	Type-C Configuration Channel (CC).
6	6	HVDM	High-Voltage-Protected USB Differential Data D- Output. Connect HVD- to the downstream USB connector D- pin.
7	7	HVDP	High-Voltage-Protected USB Differential Data D+ Output. Connect HVD+ to the downstream USB connector D+ pin.
8	8	CC_POL (SHIELD)	In USB-C Configuration, CC_POL Output. In BC1.2 only variant, remote feedback input. See Figure 3 .
9	9	DP	USB Differential Data D+ Input. Connect D+ to the low-voltage USB transceiver D+ pin.
10	10	DM	USB Differential Data D- Input. Connect D- to the low-voltage USB transceiver D- pin.
11	11	IN	Logic Enable Input. Connect to I/O voltage of USB transceiver. IN is also used for clamping during overvoltage events on HVD+ or HVD-. Connect a 1 μ F-10 μ F ceramic capacitor from IN to GND.
12	12	$\overline{\text{INT}}$ (ATTACH)	In the I ² C Variant, Functions as an Active-Low $\overline{\text{INT}}$ Pin. In the stand-alone variant, functions as active-low attach. Connect a 100k Ω pullup resistor to IN.
13	13	SYNC	Switching frequency Input/Output for synchronization with other supplies. See Applications Information section.
14	14	$\overline{\text{FAULT}}$	Active-low, open-drain, fault indicator output. Connect a 100k Ω pullup resistor to the IN pin.
15	15	SCL (CONFIG3)	In the I ² C Variant, this serves as the I ² C SCL Pin. In stand-alone variant, this serves as CONFIG3 pin. See Table 10 .
16	16	SDA (CONFIG2)	In the I ² C Variant, this serves as the I ² C SDA Pin. In stand-alone variant, this serves as CONFIG2 pin. See Table 10 .
17	17	BCMODE	This pin selects between the two modes of data switch operation. The modes are defined in the Data Switch Mode Truth Table .
18	18	ENBUCK	DC-DC Enable Input. Drive high/low to enable/disable the buck converter.
19	19	BST	High-Side Driver Supply. Connect a 0.1 μ F capacitor from BST to LX.
20, 21	20, 21	LX	Inductor connection. Connect an inductor from LX to the DC-DC converter output (SENSP).
22, 23	22, 23	PGND	Power Ground.
24	24	CONFIG1	Configuration. Connect a resistor to GND to set default configuration. See Table 8 and Table 9 .
25	25	HVEN	Active-high system enable pin. HVEN is battery-voltage tolerant.
26, 27	26, 27	SUPSW	Internal High-Side Switch Supply Input. V _{SUPSW} provides power to the internal switch and LDO. Connect a 10 μ F ceramic capacitor in parallel with a 47 μ F electrolytic capacitor from SUPSW to PGND. See the DC-DC Input Capacitor section.
28	28	VBMON	USB VBUS monitor.

Pin Description (continued)

PIN		NAME	FUNCTION
MAX20461	MAX20461A		
29	29	SENSP	DC-DC converter feedback input and current-sense amplifier positive input. DC-DC bulk capacitance placed here. Connect to positive terminal of current-sense resistor and the main output of the converter. Used for internal voltage regulation loop.
30	30	SENSN	Current-sense amplifier negative input. Connect to negative terminal of current-sense resistor.
31	31	G_DMOS	Gate drive output. Optionally connect to the gate of an external N-channel FET, otherwise terminate with 10pF.
32	32	BIAS	5V linear regulator output. Connect a 2.2µF ceramic capacitor from BIAS to GND. BIAS powers the internal circuitry.
EP	EP	EP	Exposed pad. Connect EP to multiple GND planes with 3 x 3 via grid (minimum).

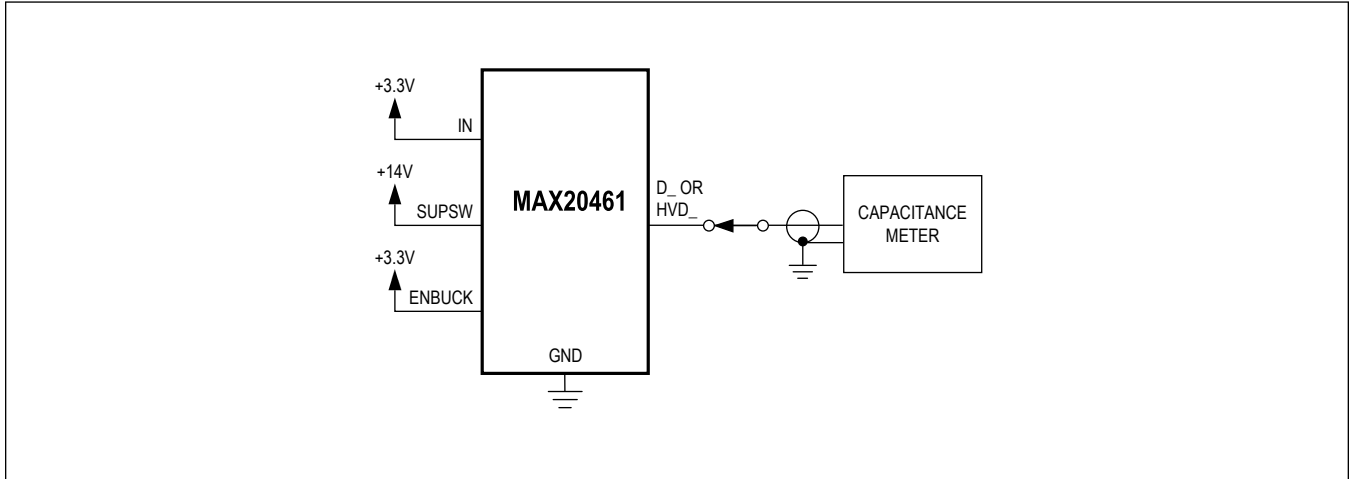
Functional Diagrams

On-Channel -3dB Bandwidth and Crosstalk

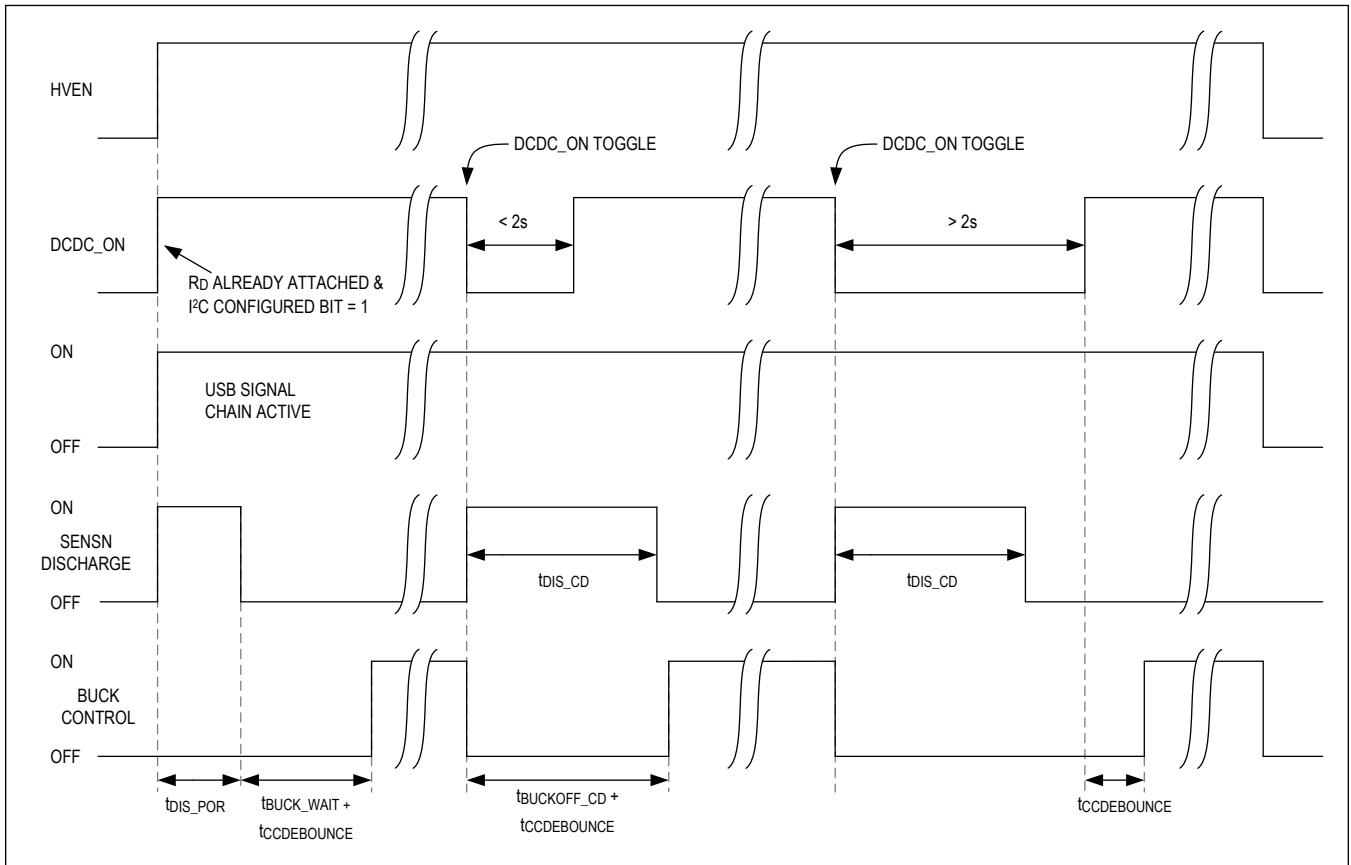


Functional Diagrams (continued)

On-Capacitance

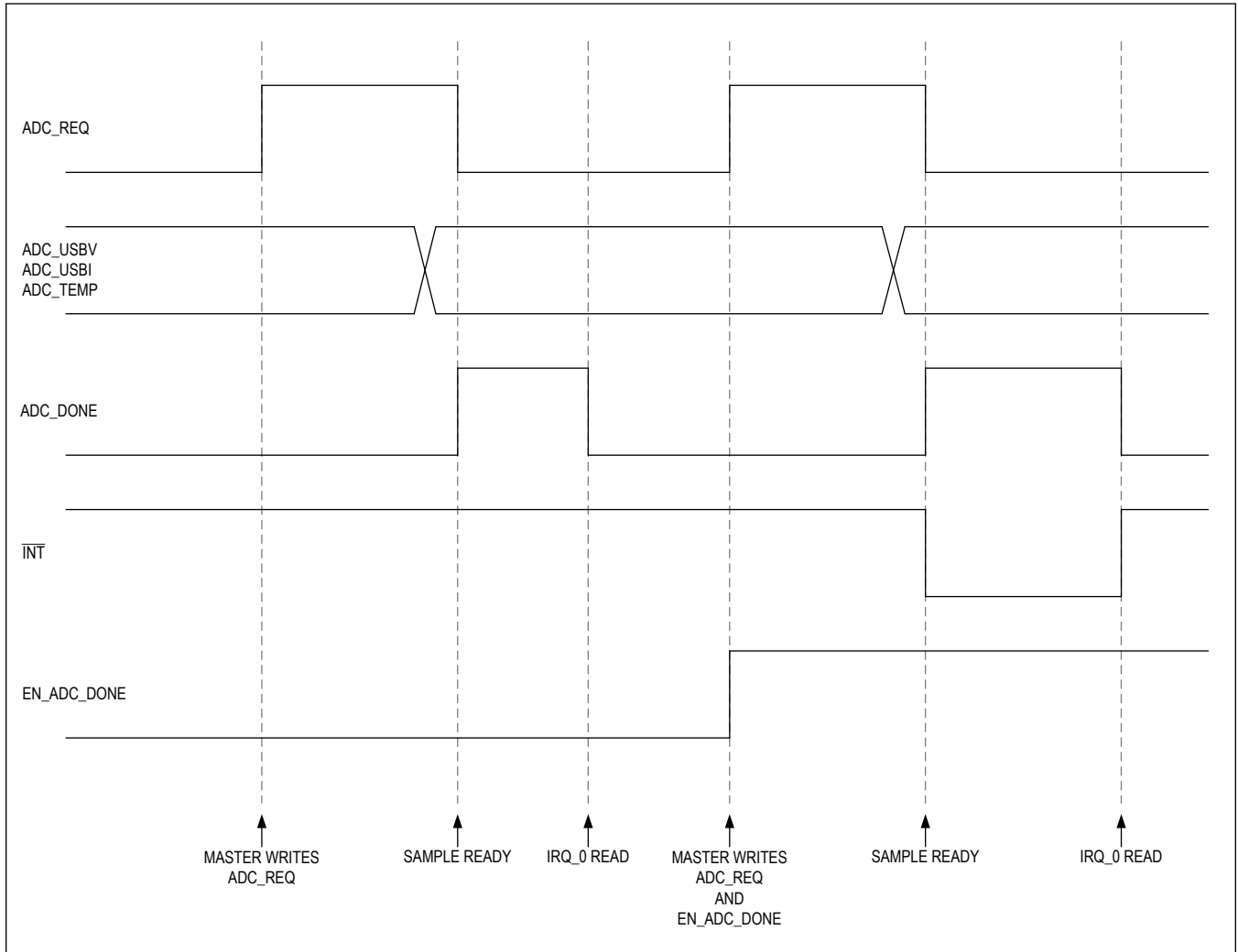


DCDC_ON Reset Behavior and Timing Diagram



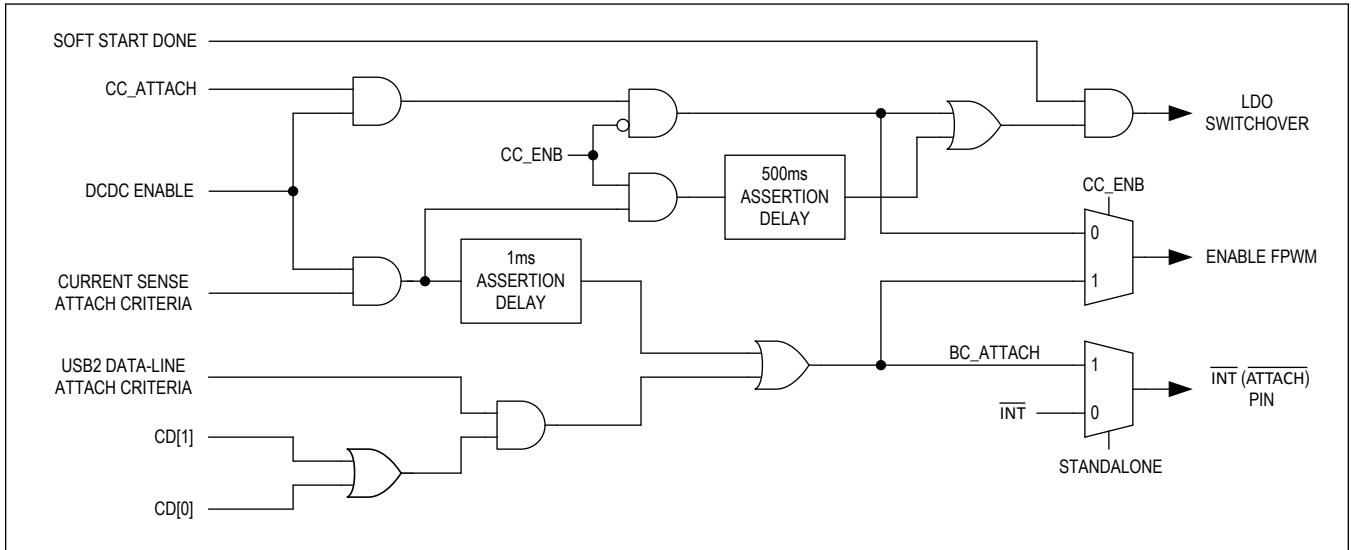
Functional Diagrams (continued)

ADC Timing Diagram

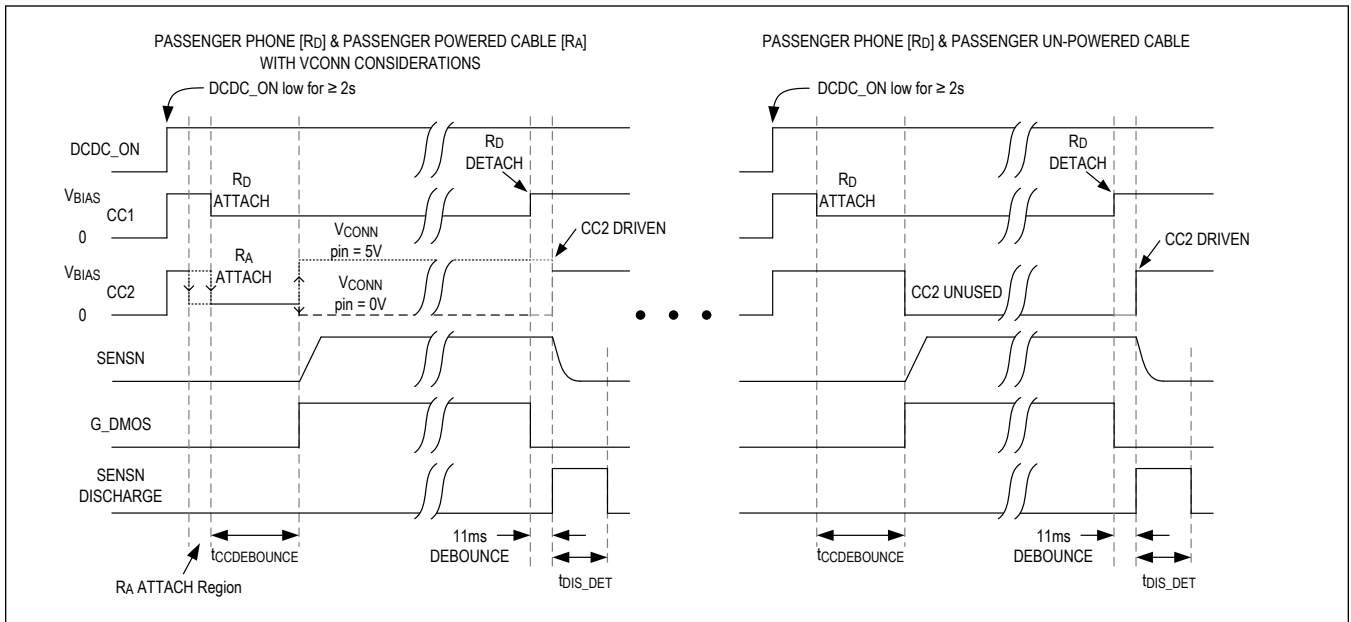


Functional Diagrams (continued)

ATTACH Logic Diagram

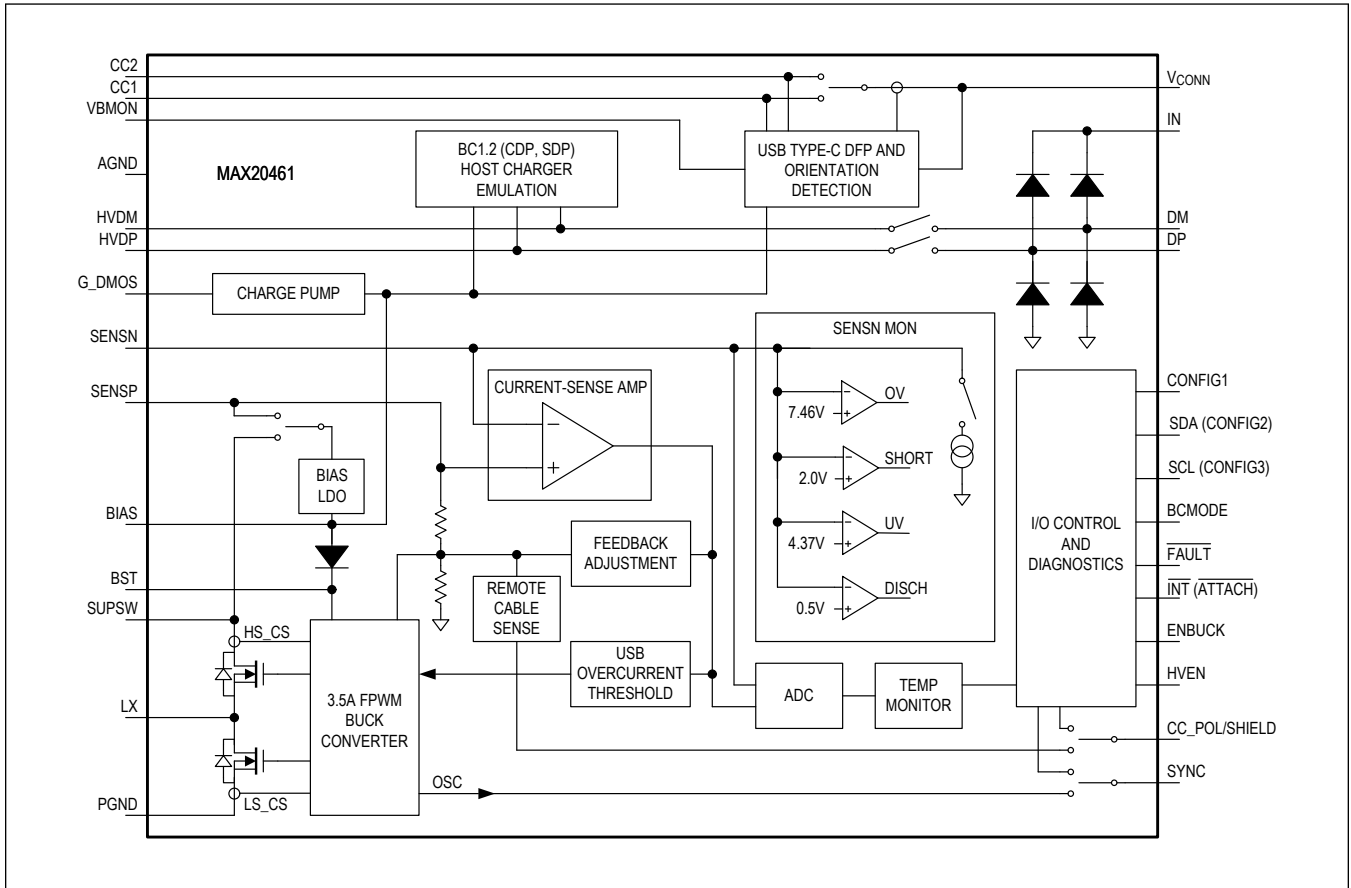


Cable Attach-Detach and SENSN Discharge Timing Diagram

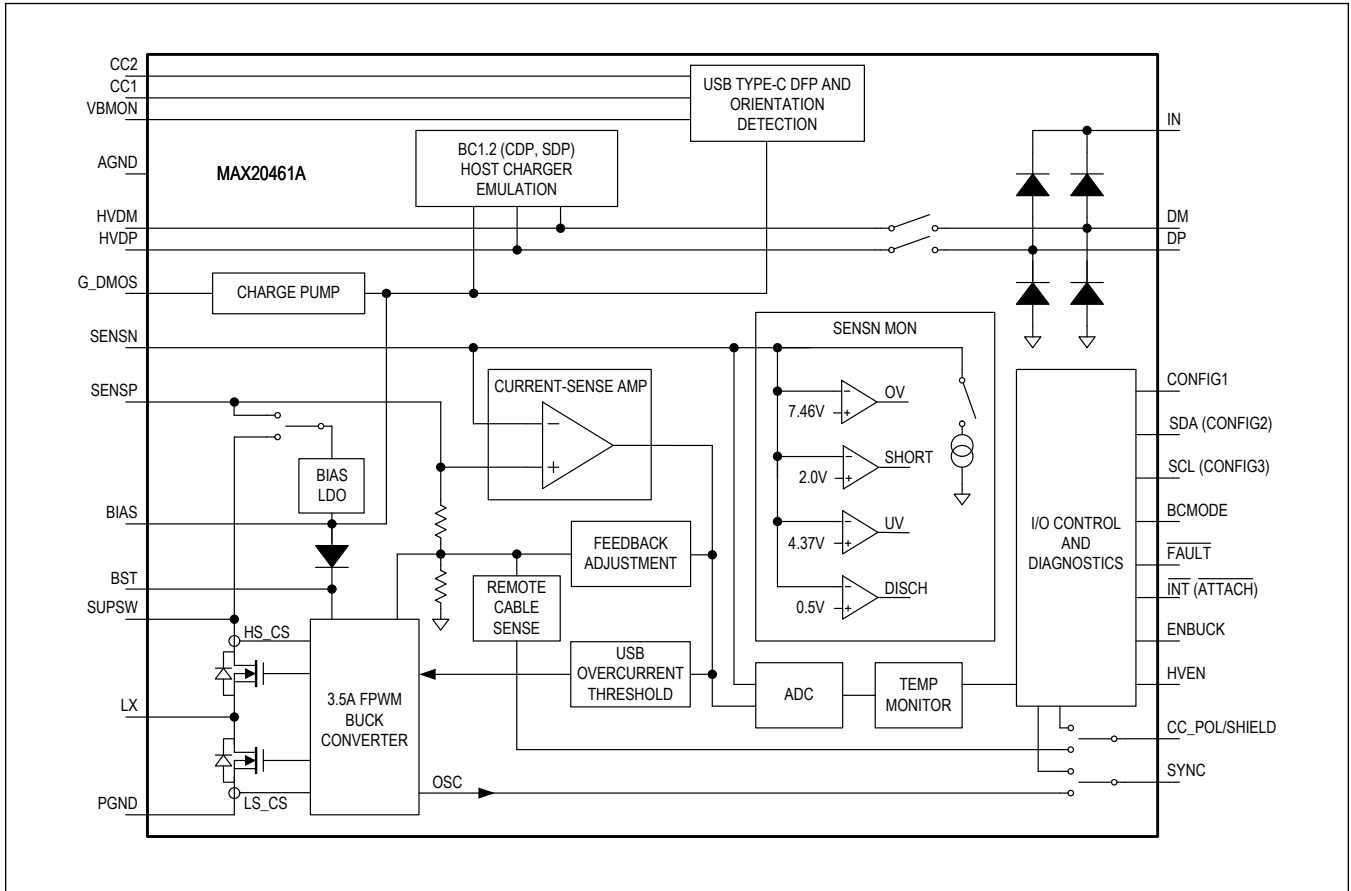


Functional Diagrams (continued)

Detailed Block Diagram



Functional Diagrams (continued)



Detailed Description

The MAX20461 combines a 5V/3A automotive-grade step-down converter, a USB host charger emulator, and USB protection switches. The device variants offer options for both stand-alone/GPIO and I²C configuration and control. This device family is designed for high-power USB ports in automotive radio, navigation, connectivity, USB hub, and dedicated charging applications.

The MAX20461 features high-voltage, high-ESD, 1GHz bandwidth data switches. MAX20461 protects up to 18V and includes internal ESD protection circuitry.

The data switches of all device variants protect the sensitive 3.3V pins of the USB transceiver and support USB Low-Speed (1.5Mbps), Full-Speed (12Mbps) and Hi-Speed (480Mbps) communication modes. The internal host charger port-detection circuitry offers automatic sensing and conformance to multiple standards, including USB Type-C 3.0A/1.5A/0.5A and USB-IF BC1.2 CDP/SDP modes. All variants enable USB-IF OTG, Apple CarPlay, and Android Auto conformance, while retaining industry-leading protection features and automotive-grade robustness.

The high-efficiency step-down DC-DC converter operates with an input voltage up to 28V, and is protected from load dump transients up to 40V. The DC-DC converter can be programmed from 310kHz to 2.2MHz switching frequency, or synced to 248kHz to 2.2MHz switching frequency. The converter can deliver 3A of continuous current at 105°C.

The MAX20461 features a high-side current-sense amplifier and a programmable feedback-adjustment circuit that provides automatic USB voltage adjustment to compensate for voltage drops in captive cables associated with automotive applications. The precision current sense allows for an accurate DC output current limit that minimizes the solution component size and cost.

USB Type-C

USB Type-C introduces a new connector, cable, and detection mechanism while maintaining backwards compatibility with the existing USB ecosystem. The small-form-factor Type-C connector is reversible and bidirectional, which eliminates the Type A/Type B distinction. To maintain the USB host/device relationship, Type-C requires a configuration channel (CC). The CC pins are used to advertise and detect current capabilities and for the host to detect the cable orientation, which is required for USB3 and active cables.

A Type-C implementation supports, but does not require, USB Power Delivery, BC1.2, and USB3. For backwards compatibility, a USB3 implementation also requires an independent USB 2.0 channel. It is also advisable to implement BC1.2 detection, in addition to CC detection, on HVDP/HVDM. This ensures the highest possible charge current when a legacy adapter is used. [Table 1](#) shows the precedence of power negotiation as mandated by USB-IF. See USB Type-C 2.0 for details.

The MAX20461 provides an integrated Type-C 5V solution tailored to the automotive market. The device integrates all control and power circuitry necessary to maintain a 5V/3A downstream facing port (DFP) at the end of a captive-cable. It also provides BC1.2 charge detection, USB 2.0 data protection, and support for USB3 cable orientation detection and V_{CONN} power.

Table 1. Charge Detection Precedence

PRECEDENCE	MODE OF OPERATION	NOMINAL VOLTAGE	MAXIMUM CURRENT
Highest	USB Type-C @ 3A Advertisement	5V	3A
	USB Type-C @ 1.5A Advertisement	5V	1.5A
↓	USB BC1.2	5V	≤ 1.5A
Lowest	Default USB Power	USB 3.1	900 mA
		USB 2.0	500 mA

Configuration Channel (CC1 and CC2)

The CC pins utilize combinations of pullups and pulldowns to detect Type-C device attachment, advertise the current capabilities of the source, and detect the type and orientation of the cable and the device. There are three possible pullup

resistors (R_P) that represent the three source current capabilities: 0.5A, 1.5A, and 3A. There are also two possible device pulldown resistors (R_A and R_D) to provide device and cable information to the host. [Figure 1](#) shows how these are used for Type-C detection on the CC pins. This configuration allows for simultaneous advertisement and detection. The Type-C specification also allows for dynamic R_P changes without any resets. [Table 2](#), [Table 3](#) and [Cable Attach-Detach and SENSN Discharge Timing Diagram](#) detail how the MAX20461 responds to the various combinations of R_A and R_D .

Table 2. CC Pulldown Response

CC1	CC2	TYPE-C STATUS	MAX20461 ACTION TAKEN				
			VBUS	VCONN	CC_ATTACH	CC_POL	CC_PIN_STATE
Open	Open	Nothing attached	Off	Off	0	0	0b00
R_D	Open	Sink attached	On	Off	1	1	0b01
Open	R_D		On	Off	1	0	0b10
Open	R_A	Powered cable without Sink attached	Off	Off	0	0	0b00
R_A	Open		Off	Off	0	0	0b00
R_D	R_A	Powered cable with Sink attached	On	On CC2	1	1	0b01
R_A	R_D		On	On CC1	1	0	0b10
R_D	R_D	Debug Accessory attached	Off	Off	0	0	0b00
R_A	R_A	Audio Adapter Accessory attached	Off	Off	0	0	0b00

Table 3. CC Pulldown Response (MAX20461A)

CC1	CC2	TYPE-C STATUS	MAX20461A ACTION TAKEN			
			VBUS	CC_ATTACH	CC_POL	CC_PIN_STATE
Open	Open	Nothing attached	Off	0	0	0b00
R_D	Open	Sink attached	On	1	1	0b01
Open	R_D		On	1	0	0b10
Open	R_A	Powered cable without Sink attached	Off	0	0	0b00
R_A	Open		Off	0	0	0b00
R_D	R_A	Powered cable with Sink attached	On	1	1	0b01
R_A	R_D		On	1	0	0b10
R_D	R_D	Debug Accessory attached	Off	0	0	0b00
R_A	R_A	Audio Adapter Accessory attached	Off	0	0	0b00

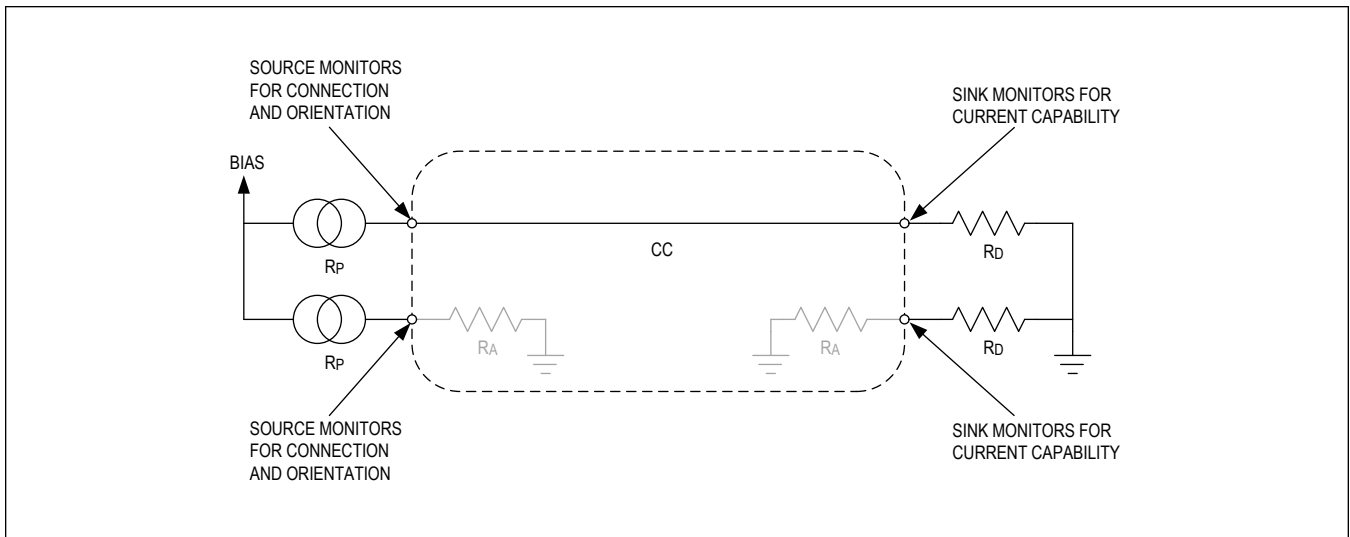


Figure 1. Type-C Pullup Model

CC Polarity Output Pin (CC_POL)

The MAX20461 features an open-drain, active-low CC polarity output. The pin will assert low when R_D is detected on CC2. See [Table 2](#).

VCONN (MAX20461 Only)

While there are two CC pins that must be monitored on the host receptacle, there is only one CC wire running through the Type-C cable. This allows orientation to be determined, and leaves the second CC pin available for other uses. The Type-C specification allows the unused CC pin to operate as V_{CONN} , which is a low power source intended to power active cables that can include authentication ICs or superspeed muxes.

The MAX20461 includes complete support for V_{CONN} power control and protection. When a power source within the acceptable operating voltage is connected to the V_{CONN} pin, MAX20461 can connect the voltage source to the appropriate CC pin. Back-to-back V_{CONN} FETs provide overvoltage and overcurrent protection to the V_{CONN} source in addition to controlling the application of V_{CONN} per the Type-C specification.

Table 4. Type-C Source V_{CONN} Requirements

PORT FEATURES			V_{CONN} REQUIREMENTS
D+/D-	SSTX/SSRX, VPD	>3A	
No	No	No	Not required
Yes	No	No	Not required
Yes	Yes	No	1W, 3V-5.5V

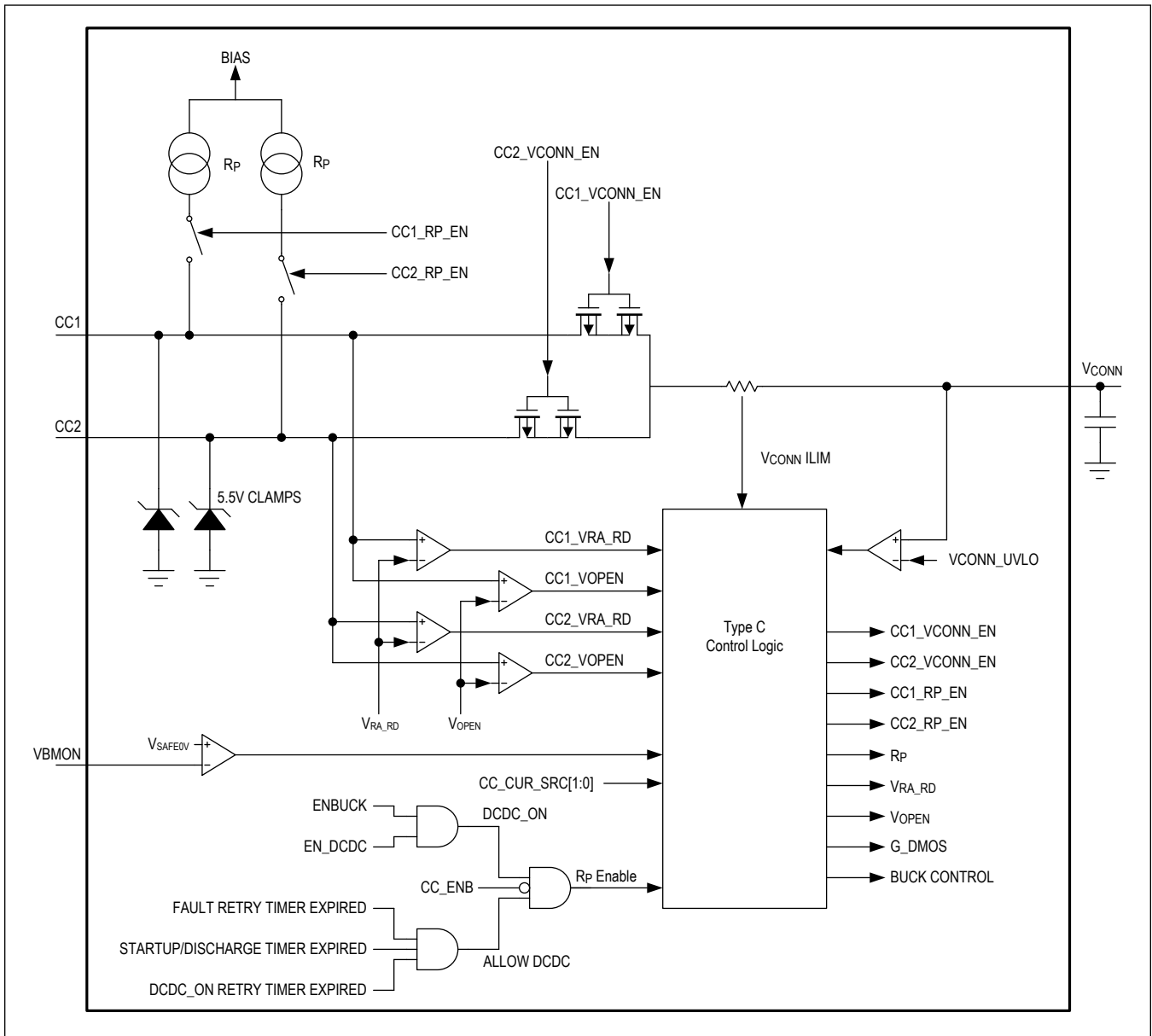


Figure 2. USB Type-C Block Diagram

V_{BUS}

Type-C includes new requirements for V_{BUS} , even when operating exclusively in 5V mode. When no device is attached to the CC pins, the host must switch the V_{BUS} source off so that near zero volts is present at the receptacle pin. To achieve this, the MAX20461 disables the external FET gate drive and turns off the buck converter when in a detached state, reducing quiescent current. The MAX20461 integrates control and discharge circuits to ensure all Type-C timing requirements are met. Throughout this document, the term V_{BUS} is used loosely to refer to voltage at SENSEP, SENSEN or VBMON. When more precision is required, the specific pin name is referenced.

External FET Gate Drive (G_DMOS Pin)

The MAX20461 includes a gate drive for an optional external FET that can be used to isolate the bulk capacitance when V_{BUS} is not being sourced. If used, connect the G_DMOS pin to the gate of the external FET. If not used, terminate G_DMOS with a 10pF capacitor. G_DMOS activates prior to soft-start, and turns off after discharge. If V_{BUS} short-to-battery is required, the FET should be appropriately rated. The external DMOS device must be a 20V V_{GS} type. The charge pump generates at least 7V.

Legacy Devices

The Type-C specification ensures interoperability with Type-A and Type-B devices by defining requirements for legacy adapters. As a DFP, relevant adapters connect from the Type-C receptacle to either a Type-B plug or to a Type-A receptacle, which can then be used with any legacy Type-A cable. A compliant legacy adapter of this type must include an R_D termination inside the adapter. In this case, the MAX20461 detects a Type-C attachment whenever the adapter is connected, regardless of whether a portable device is connected. The portable device sees the DFP as a BC1.2 port (when configured as such).

Power-Up and Enabling**System Enable (HVEN)**

HVEN is used as the main enable to the device and initiates system start-up and configuration. If HVEN is at a logic-low level, SUPSW power consumption is reduced and the device enters a standby, low quiescent current level. HVEN is compatible with inputs from 3.3V logic up to automotive battery. After a system reset (e.g., HVEN toggle, BIAS UV), the I²C variant asserts the \overline{INT} pin to indicate that the IC has not been configured. The buck converter is forced off until the CONFIGURED bit of SETUP_4 is written to a 1. This ensures that a portable device cannot attach before the IC registers are correctly set for the application.

DC-DC Enable (ENBUCK)

The buck regulator on the MAX20461 is controlled by the ENBUCK pin for stand-alone variants, and by both the ENBUCK pin and the I²C interface for I²C variants. DCDC_ON, the logical AND of ENBUCK and EN_DCDC, determines if the buck converter can be enabled by the Type-C control logic. On stand-alone variants, EN_DCDC is always high and only ENBUCK can be used to enable the buck converter. On I²C variants, setting ENBUCK low overrides an I²C EN_DCDC enable command, which allows compatibility with USB hub controllers. For a typical USB hub application, connect ENBUCK to the enable output of the USB hub controller. This allows the USB hub controller to enable and disable the USB power port using software commands. ENBUCK can be directly connected to the BIAS or IN pin for applications that do not require GPIO control of the DC-DC converter enable.

3.3V Input (IN)

IN is used to clamp the D+ and D- pins during an ESD or overvoltage event on the HVD+ and HVD- pins. This clamping protects the downstream USB transceiver. The presence of these clamping diodes requires that IN remain set to 3.3V at all times for USB communication to occur. The IN pin features an overvoltage lockout that disables the data switches if IN is above V_{IN_OVLO} . Bypass IN with a 1 μ F ceramic capacitor, place it close to the IN pin, and connect it to the same 3.3V supply that is shared with the multimedia processor or hub transceiver.

Linear Regulator Output (BIAS)

BIAS is the output of a 5V linear regulator that powers the internal logic and control circuitry for the device. BIAS is internally powered from SUPSW or SENSP and automatically powers up when HVEN is high and SUPSW voltage exceeds V_{UV_SUPSW} . The BIAS output contains an undervoltage lockout that keeps the internal circuitry disabled when BIAS is below V_{UV_BIAS} . The linear regulator automatically powers down when HVEN is low, and a low shutdown current mode is entered. Bypass BIAS to GND with a 2.2 μ F ceramic capacitor.

Power-On Sequencing

HVEN, ENBUCK and IN do not have a power-up sequence requirement by design. However, the desired system behavior should be considered for the state of these pins at startup. The D+ and D- pins are clamped to IN, therefore IN

should be set to 3.3V before any USB communication is required. It is recommended that IN is set to 3.3V before HVEN is set high. ENBUCK acts as the master disable for the DC-DC converter. If ENBUCK is low when HVEN is set high, all variants keep the buck converter in the disabled state until ENBUCK is set high.

Step-Down DC-DC Regulator

Step-Down Regulator

The MAX20461 features a current-mode, step-down converter with integrated high-side and low-side MOSFETs. The low-side MOSFET enables fixed-frequency, forced-PWM operation under light loads. The DC-DC regulator features a cycle-by-cycle current limit and intelligent transition from skip mode to forced-PWM mode that makes the device ideal for automotive applications.

Wide Input Voltage Range

The device is specified for a wide 4.5V to 28V input voltage range. SUPSW provides power to the internal BIAS linear regulator and internal power switch. Certain conditions such as cold cranking can cause the voltage at the output to drop below the programmed output voltage. Under such conditions, the device operates in a high duty-cycle mode to facilitate minimum dropout from input to output.

Maximum Duty-Cycle Operation

The MAX20461 has a maximum duty cycle of 98% (typ). The IC monitors the off-time (time for which the low-side FET is on) in both PWM and skip modes for every switching cycle. Once the off-time of 150ns (typ) is detected continuously for 7.5µs, the low-side FET is forced on for 60ns (typ) every 7.5µs. The input voltage at which the device enters dropout changes depending on the input voltage, output voltage, switching frequency, load current, and design efficiency. The input voltage at which the devices enter dropout can be approximated as:

$$V_{SUPSW} = \frac{V_{OUT} + (I_{LOAD} \times R_{ONH})}{0.98}$$

Note: The equation above does not take into account the efficiency and switching frequency but will provide a good first-order approximation. Use the R_{ONH} (max) in the [Electrical Characteristics](#) table.

Output Voltage (SENSP)

The device features a precision internal feedback network that is connected to SENSP and that is used to set the output voltage of the DC-DC converter. The network nominally sets the average DC-DC converter output voltage to the voltage that corresponds to the V_{OUT} configuration register, with a default value of 5.15V.

Soft-Start

When the DC-DC converter is enabled, the regulator soft-starts by gradually ramping up the output voltage from 0V to 5.15V over approximately 8ms. This soft-start feature reduces inrush current during startup. Soft-start is guaranteed into compliant USB loads (see the [USB Loads](#) section).

Reset Behavior

The MAX20461 implements a discharge function on SENSN any time that the DC-DC regulator is disabled for any reason. When the discharge function is activated, current (I_{SENSN_DIS}) is drained through a current-limited FET, and a reset timer is also started. This timer prevents the DC-DC regulator from starting up again until the timer has expired. This allows for easy compatibility with USB specifications and removes the need for long discharge algorithms to be implemented in system software. See the relevant [Functional Diagrams](#) and [Figure 2](#) for reset timer details.

Reset Criteria

The MAX20461 DC-DC converter automatically resets for all undervoltage, overvoltage, overcurrent and overtemperature fault conditions. See [Table 12](#) for details. The fault retry timer is configurable in the SETUP_3 register. This timer is activated after a fault condition is removed and prevents the buck converter from switching on until the timer expires.

Another internal retry timer is enabled after DCDC_ON is set low or a Type-C detach event. DCDC_ON toggle causes buck shutdown and prevent the buck from switching on until $t_{BUCKOFF_CD}$ expires. A Type-C detach event will cause buck shutdown and prevent the buck from switching on until $t_{BUCKOFF_DET}$ expires.

Switching Frequency Configuration

The DC-DC switching frequency can be referenced to an internal oscillator or from an external clock signal on the SYNC pin. The internal oscillator frequency is set by the FSW[2:0] bits of the SETUP_1 register, which has a POR value corresponding to 2.2MHz. The internal oscillator can be programmed via I²C to eight discrete values from 310kHz to 2.2MHz. For standalone variants, FSW configuration value is loaded from the CONFIG1 pin at startup with four discrete values from 310kHz to 2.2MHz available.

Switching Frequency Synchronization (SYNC Pin)

When the SYNC pin is configured to operate as an output, skip mode operation is disallowed, and the internal oscillator drives the SYNC pin. This allows other devices to synchronize with the MAX20461 180 degrees out of phase for EMI reduction.

When SYNC is configured as an input, the SYNC pin becomes a logic-level input that can be used for both operating-mode selection and frequency control. Connecting SYNC to GND or an external clock enables fixed-frequency, forced-PWM mode. Connecting SYNC to a logic-high signal allows intelligent skip-mode operation (Type-A mode, i.e. CC_ENB = 1) or FPWM mode (default Type-C mode, i.e. CC_ENB = 0). The device can be externally synchronized to frequencies within $\pm 20\%$ of the programmed internal oscillator frequency.

Forced-PWM Operation

In forced-PWM mode, the device maintains fixed-frequency PWM operation over all load conditions, including no-load conditions.

Intelligent Skip-Mode Operation and Attach Detection

When the SYNC pin is configured as an input and CC_ENB = 1 (via I²C only), but neither a clocked signal nor a logic-low level exists on the SYNC pin, the MAX20461 operates in skip mode at very light load/no load conditions. Intelligent device attach detection is used to determine when a device is attached to the USB port. The device intelligently exits skip mode and enters forced-PWM mode when a device is attached and remains in forced-PWM mode as long as the attach signal persists. This minimizes the EMI concerns caused by automotive captive USB cables and poorly shielded consumer USB cables. The device attach event is also signaled by the ATTACH pin (stand-alone variants) or ATTACH bits (I²C variants). The criteria for device attach detection and intelligent skip-mode operation are shown in [Table 5](#). Note that when operating in Type-C mode, the buck only switches on when a Type-C device is attached. This means skip mode cannot be entered if CC_ENB = 0.

Table 5. DC-DC Converter Intelligent Skip Mode Truth Table

CC_ENB	SYNC PIN	SYNC_DIR BIT	DATA SWITCH CHARGE DETECTION MODE	CDP ATTACH DETECTION	CURRENT SENSE ATTACH DETECTION	DC-DC CONVERTER OPERATION
0	x	x	x	x	x	Forced-PWM Mode: Type-C Device Attached
1	x	1	x	x	x	Forced-PWM Mode: Continuous
1	0	0	x	x	x	Forced-PWM Mode: Continuous
1	Clocked	0	x	x	x	Forced-PWM Mode: Continuous
1	1	0	High-Speed Pass Thru (SDP) Mode	x	0	Intelligent Skip Mode: No Device Attached
1	1	0	High-Speed Pass Thru (SDP) Mode	x	1	Forced-PWM Mode: Device Attached

Table 5. DC-DC Converter Intelligent Skip Mode Truth Table (continued)

CC_ENB	SYNC PIN	SYNC_DIR BIT	DATA SWITCH CHARGE DETECTION MODE	CDP ATTACH DETECTION	CURRENT SENSE ATTACH DETECTION	DC-DC CONVERTER OPERATION
1	1	0	BC1.2 Auto CDP Mode	0	0	Intelligent Skip Mode: No Device Attached
1	1	0	BC1.2 Auto CDP Mode	1	x	Forced-PWM Mode: Device Attached
1	1	0	BC1.2 Auto CDP Mode	x	1	Forced-PWM Mode: Device Attached

Spread-Spectrum Option

Spread-spectrum operation is offered to improve the EMI performance of the MAX20461. Spread-spectrum operation is enabled by the SS_EN bit of the SETUP_0 register, which is preloaded on startup from the CONFIG1 pin for both stand-alone and I²C variants. The internal operating frequency modulates the switching frequency by up to $\pm 3.4\%$ relative to the internally generated operating frequency. This results in a total spread-spectrum range of 6.8%. Spread-spectrum mode is only active when operating from the internal oscillator. Spread-spectrum clock dithering is not possible when operating from an external clock.

Current Limit

The MAX20461 limits the USB load current using both a fixed internal peak current threshold of the DC-DC converter, as well as a user-programmable external DC load current-sense amplifier threshold. This allows the current limit to be adjusted between 300mA to 3A depending on the application requirements, while protecting the system in the event of a fault. Upon exceeding either the DC-DC peak or user-programmable current thresholds, the high-side FET is immediately switched off and current-limit algorithms are initiated. When the external current limit lasts for longer than 16ms, the FAULT pin asserts and the VBUS_ILIM bit of the IRQ_1 register is set. Once the load current exceeds the programmed threshold, the DC-DC converter acts as a constant-current source. This may cause the output voltage to droop. The ILIM_ITRIP bit of the SETUP_2 register determines the output voltage droop required to initiate a DC-DC converter reset during VBUS_ILIM. When ILIM_ITRIP = 0, the USB current limit is detected for 16ms and the output voltage falls below V_{UV_SENSN} , the DC-DC converter resets. The DC-DC converter also resets if the internal LX peak current threshold is exceeded for four consecutive switching cycles and the output voltage droops to less than 2.0V.

In some cases, the designer may want to increase the load to 160%, refer to [USB Output Current Limit](#) for details.

Output Short-Circuit Protection

The DC-DC converter output (SENSP, SENSN) is protected against both short-to-ground and short-to-battery conditions. If a short-to-ground or undervoltage condition is encountered, the DC-DC converter immediately resets, asserts the FAULT pin, flags the fault in the IRQ_1 register, and then reattempts soft-start after the reset delay. This pattern repeats until the short circuit has been removed.

If a short-to-battery is encountered ($V_{SENSN} > V_{OV_SENSN}$), the buck converter shuts down, G_DMOS is disabled, the FAULT pin is asserted, and the fault is flagged in the IRQ_1 register. The buck converter stays shut down until the fault condition resolves and the 2s timer expires.

Thermal Overload Protection

Thermal overload protection limits the total power dissipated by the device. A thermal-protection circuit monitors the die temperature. If the die temperature exceeds $+165^{\circ}\text{C}$, the device shuts down, so it can cool. Once the device has cooled by 10°C , the device is enabled again. This results in a pulsed output during continuous thermal overload conditions, protecting the device during fault conditions. For continuous operation, do not exceed the absolute maximum junction temperature of $+150^{\circ}\text{C}$. See the Thermal Considerations section for more information.

Pre-Thermal Overload Warning

The MAX20461 I²C variant features a thermal overload warning flag which sets the THM_WARN bit of the IRQ_2 register

when the die temperature crosses +140°C. This allows a system software implementation of thermal foldback or load shedding algorithms to prevent a thermal overload condition.

Automatic Thermal Foldback

All MAX20461 variants implement a thermal foldback feature which, when enabled, reduces the Type-C current advertised on the CC pins by R_P . When THM_WARN = 1, the R_P current advertisement reduces to the setting immediately below what is set in CC_CUR_SRC[1:0]. When the die temperature drops below the thermal warning threshold, R_P returns to its original setting based on CC_SRC_CUR[1:0].

Note that Type-C allows for dynamic R_P changes in the Attached.SRC state without reinitializing detection. The MAX20461 thermal foldback does not: force BUS to reset, change the BC1.2 mode, or reduce the USB current limit. Alternative thermal foldback algorithms are available and can be performed in system software. Contact Maxim Applications for support.

USB Current Limit and Output Voltage Adjustment

Current-Sense Amplifier (SENSP, SENSN)

MAX20461 features an internal USB load current-sense amplifier to monitor the DC load current delivered to the USB port. The V_{SENSE} voltage ($V_{SENSP} - V_{SENSN}$) is used internally to provide precision DC current-limit and voltage-compensation functionality. A 33mΩ sense resistor should be placed between SENSP and SENSN.

In some cases, the designer may want to increase the load to 160%, refer to [USB Output Current Limit](#) for details.

USB DC Current Limit Configuration

The MAX20461 allows configuration of the precision DC current limit by the ILIM[2:0] bits of the SETUP_2 register. I²C configuration enables selection of eight discrete DC current limit values. See SETUP_2 for current limit configuration values.

Stand-alone variants of the device allow selection of a subset of the eight available current limit options by reading the CONFIG3 resistor. See [Table 10](#) and the [Applications Information](#) section for more information.

In some cases, the designer may want to increase the load to 160%, refer to [USB Output Current Limit](#) for details.

Voltage Feedback Adjustment Configuration

The MAX20461 compensates voltage drop for up to 474mΩ of USB cable in typical USB charging applications. I²C variants of the device allow this configuration by the GAIN[4:0] bits of the SETUP_1 register. See GAIN[4:0] for voltage gain configuration. Stand-alone variants of the device allow configuration by the CONFIG2 resistor, which sets GAIN[3:0], and the CONFIG3 resistor, which sets GAIN[4]. See the SETUP_1 register map and the [Applications Information](#) section for more information.

In some cases, the designer may want to increase the load to 160%, refer to [USB Output Current Limit](#) for details.

Remote Sense Feedback Adjustment

The remote-sense feature (available by custom order only) provides another option to adjust the output voltage by sensing the ground node on the USB port at the far-end of the captive cable; either with the cable shield or with an additional sensing wire. This feature automatically senses the cable resistance and adjusts the voltage compensation without changing the GAIN[4:0] setting.

The user needs to compensate the voltage drop because of the sense resistor, the load line behavior of the buck, and any difference between the V_{BUS} and GND conductors. See [Figure 3](#) and contact the factory for support and how to order.

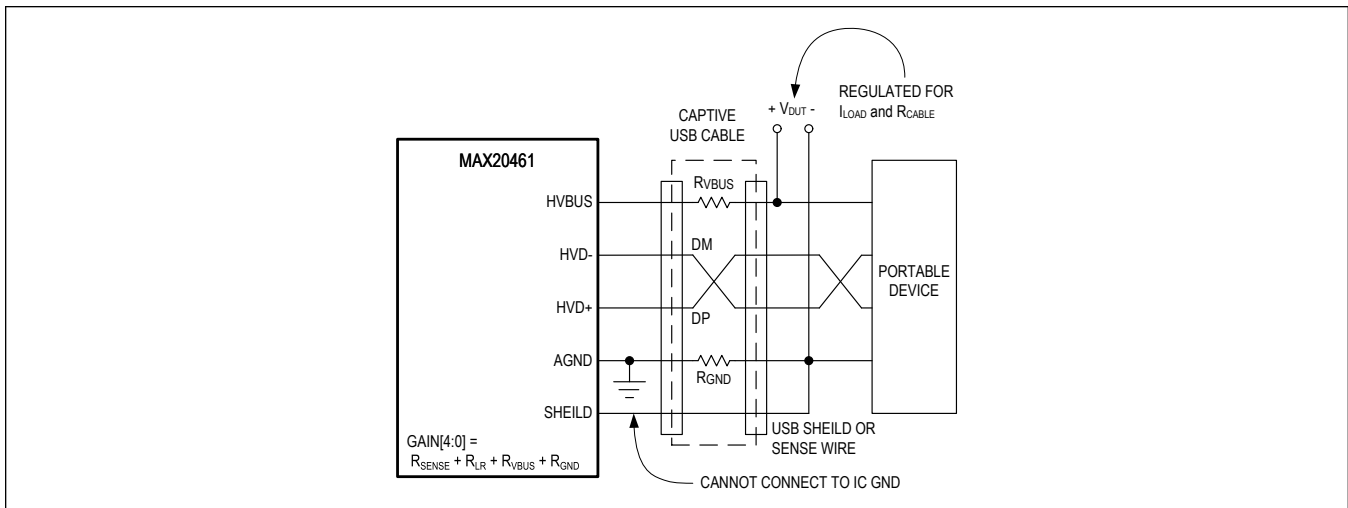


Figure 3. Remote Cable-Sense Diagram

High Voltage Modes Configuration

I²C variants of the MAX20461 allow high output voltage mode configurations for flexible use in higher power charging applications, and for load-dump protected battery pass-through output to automotive modules. Contact factory for support.

USB Protection Switches and BC1.2 Host Charger Emulation

USB Protection Switches

MAX20461 provides automotive-grade ESD and short-circuit protection for the low-voltage USB data lines of high-integration multimedia processors. HVDP/HVDM protection consists of ESD and OVP (overvoltage protection) for 1.5Mbps, 12Mbps, and 480Mbps USB transceiver applications. This is accomplished with a very low-capacitance FET in series with the D+ and D- data path.

The MAX20461 does not require an external ESD array, and protects the HVD+ and HVD- pins to ±15kV Air-Gap/±8kV Contact Discharge with the 150pF/330Ω IEC 61000-4-2 model and the 330pF/330Ω model, as well as protecting up to ±25kV Air-Gap/±8kV Contact Discharge with the 330pF/2kΩ ISO 10605 model. The MAX20461 provides robust, automotive-grade protection while maintaining a 1GHz -3dB insertion loss. This ensures optimum eye diagram at the end of a captive cable.

The HVD+ and HVD- short-circuit protection features include protection for a short to the USB +5V BUS and a short to the +18V car battery. These protection features prevent damage to the low-voltage USB transceiver when shorts occur in the vehicle harness or customer USB connector/cable. Short-to-GND protection is provided by the upstream USB transceiver.

USB Host Charger Emulator

The USB protection switches integrate the latest USB-IF Battery Charging Specification Revision 1.2 CDP and SDP circuitry.

Table 6. Data Switch Mode Truth Table (I²C Variant, ATJA)

DEVICE INPUTS					SA	SB	DATA SWITCH MODE
HVEN	IN	CD[1]	CD[0]	BCMODE			
0	X	X	X	X	0	0	Off
1	0	X	X	1	Invalid Mode (IN = 3.3V required for all modes)		

Table 6. Data Switch Mode Truth Table (I²C Variant, ATJA) (continued)

1	0	0	X	0	Invalid Mode (IN = 3.3V required for all modes)		
1	1	0	0	0	1	0	Hi-Speed Pass-Through (SDP)
1	1	0	1	0	On if CDP = 0	On if CDP = 1	BC1.2 Auto-CDP (CDP)
1	1	X	X	1	On if CDP = 0	On if CDP = 1	BC1.2 Auto-CDP (CDP)

Table 7. Data Switch Mode Truth Table (Standalone Variant, ATJD)

DEVICE INPUTS			SA	SB	DATA SWITCH MODE
HVEN	IN	BCMODE			
0	X	X	0	0	Off
1	0	X	Invalid Mode (IN = 3.3V required for all modes)		
1	1	0	1	0	Hi-Speed Pass-Through (SDP)
1	1	1	On if CDP = 0	On if CDP = 1	BC1.2 Auto-CDP (CDP)

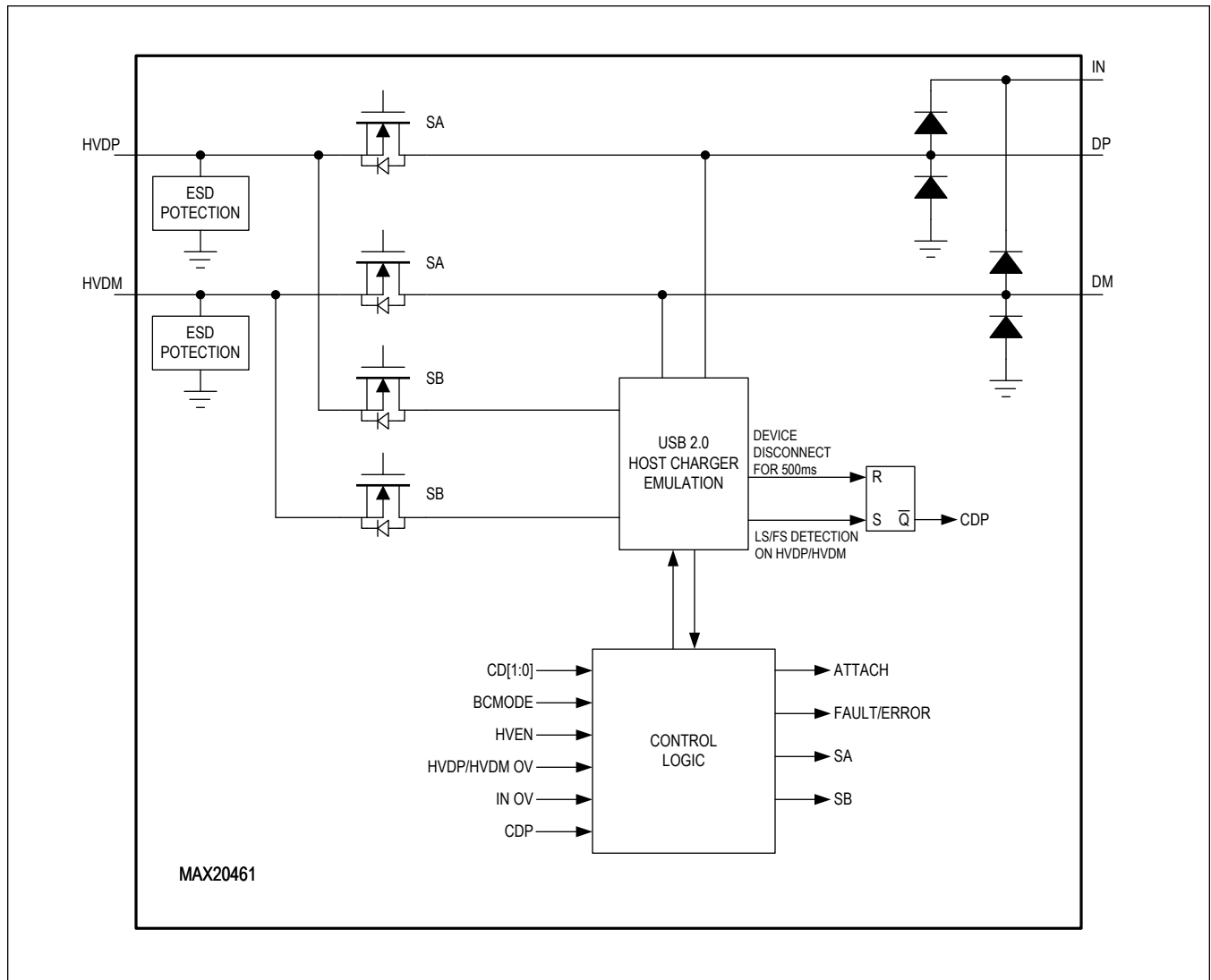


Figure 4. Data Switch and Charge-Detection Block Diagram

USB On-The-Go and Dual-Role Applications

The MAX20461 is fully compatible with USB on-the-go (OTG) and dual-role applications. A negotiated role swap (HNP or Apple CarPlay) requires no software interaction with the IC. When there is no negotiation before the SOC enters peripheral mode, the MAX20461 must be in Hi-Speed pass-through (SDP mode) before and during the role swap. The MAX20461ATJA/V+ and MAX20461ATJD/V+ default to SDP mode on startup if the BCMODE pin is logic-low. This configuration allows a role swap immediately on startup without microcontroller interaction.

I²C, Control, and Diagnostics

I²C Configuration (CONFIG1 and I²C)

The MAX20461 I²C variants allow basic device configuration through a resistor placed to GND on the CONFIG1 pin. The configuration parameters correlating to the chosen resistor are pre-loaded into their respective I²C registers on startup when HVEN is toggled high. After startup, the user is free to change the affected I²C registers as desired.

For I²C variants, CONFIG1 sets the startup value of the DC-DC spread-spectrum enable bit SS_EN and the SYNC direction control bit SYNC_DIR. CONFIG1 also sets the LSBs of the I²C slave address. The configuration table for the I²C variant CONFIG table is shown in [Table 8](#).

Table 8. CONFIG1 Pin Table (I²C Version)

RESISTANCE (Ω, typ)	STEP	SS_EN	SYNC_DIR	I ² C_ADDR LSBs
Short to GND	0	1 (ON)	1 (IN)	00
619	1	1 (ON)	1 (IN)	01
976	2	1 (ON)	1 (IN)	10
1370	3	1 (ON)	1 (IN)	11
1820	4	1 (ON)	0 (OUT)	00
2370	5	1 (ON)	0 (OUT)	01
3090	6	1 (ON)	0 (OUT)	10
3920	7	1 (ON)	0 (OUT)	11
4990	8	0 (OFF)	1 (IN)	00
6340	9	0 (OFF)	1 (IN)	01
8250	10	0 (OFF)	1 (IN)	10
11000	11	0 (OFF)	1 (IN)	11
15400	12	0 (OFF)	0 (OUT)	00
23700	13	0 (OFF)	0 (OUT)	01
44200	14	0 (OFF)	0 (OUT)	10
Short to BIAS (or R > 71.5kΩ)	15	0 (OFF)	0 (OUT)	11

Stand-Alone Configuration (CONFIG1–CONFIG3)

The MAX20461 standalone variants allow full device configuration from three resistors placed among the three CONFIG pins and GND. For standalone variants, SDA and SCL serve as CONFIG2 and CONFIG3, respectively.

CONFIG1 sets the internal oscillator switching frequency, SYNC pin direction, and DC-DC spread spectrum mode. CONFIG2 sets the 4 LSBs of the voltage adjustment gain (GAIN[3:0]). CONFIG3 sets the USB DC current limit, type-C current advertisement, automatic thermal foldback, and MSB of voltage adjustment gain (GAIN[4]). See tables below for stand-alone variant CONFIG options. See the [Applications Information](#) section for setting selection and [Ordering Information](#) for variant part number information.

In some cases, the designer may want to increase the load to 160%, refer to [USB Output Current Limit](#) for details.

Table 9. CONFIG1 Pin Table (Standalone Variants)

RESISTANCE (Ω, typ)	STEP	SS_EN	SYNC_DIR	FSW (kHz)
Short to GND	0	ON	IN	2200
619	1	ON	IN	488
976	2	ON	IN	350
1370	3	ON	IN	310
1820	4	ON	OUT	2200
2370	5	ON	OUT	488
3090	6	ON	OUT	350
3920	7	ON	OUT	310
4990	8	OFF	IN	2200

Table 9. CONFIG1 Pin Table (Standalone Variants) (continued)

RESISTANCE (Ω , typ)	STEP	SS_EN	SYNC_DIR	FSW (kHz)
6340	9	OFF	IN	488
8250	10	OFF	IN	350
11000	11	OFF	IN	310
15400	12	OFF	OUT	2200
23700	13	OFF	OUT	488
44200	14	OFF	OUT	350
Short to BIAS (or R > 71.5k Ω)	15	OFF	OUT	310

Table 10. CONFIG2 and CONFIG3 Pin Table (Standalone Variants)

RESISTANCE (Ω , typ)	STEP	CONFIG2	CONFIG3			
		GAIN[3:0]	THM_FLDBK_EN	GAIN[4]	CURRENT LIMIT ILIM_SET (A)	TYPE-C MODE CC_SRC_CUR (A)
Short to GND	0	0b0000	ON	0	0.55	0.5
619	1	0b0001	ON	0	1.62	1.5
976	2	0b0010	ON	0	2.60	1.5
1370	3	0b0011	ON	0	3.04	3.0
1820	4	0b0100	ON	1	0.55	0.5
2370	5	0b0101	ON	1	1.62	1.5
3090	6	0b0110	ON	1	2.60	1.5
3920	7	0b0111	ON	1	3.04	3.0
4990	8	0b1000	OFF	0	0.55	0.5
6340	9	0b1001	OFF	0	1.62	1.5
8250	10	0b1010	OFF	0	2.60	1.5
11000	11	0b1011	OFF	0	3.04	3.0
15400	12	0b1100	OFF	1	0.55	0.5
23700	13	0b1101	OFF	1	1.62	1.5
44200	14	0b1110	OFF	1	2.60	1.5
Short to BIAS (or R > 71.5k Ω)	15	0b1111	OFF	1	3.04	3.0

I²C Diagnostics and Event Handling

The I²C-based diagnostic functionality is independent of the $\overline{\text{FAULT}}$ pin. Setting the IRQMASK bit for a specific fault condition does not mask the $\overline{\text{FAULT}}$ pin for the respective fault. IRQMASK register functionality affects only the behavior of the $\overline{\text{INT}}$ pin. This allows the $\overline{\text{FAULT}}$ pin to be tied to over-current fault input of a hub controller or SoC, while the I²C interface is simultaneously used by the system software for advanced diagnostic functionality.

Interrupt and Attach Output ($\overline{\text{INT}}(\overline{\text{ATTACH}})$)

The MAX20461 $\overline{\text{INT}}(\overline{\text{ATTACH}})$ pin functions as an interrupt ($\overline{\text{INT}}$) for I²C variants. The $\overline{\text{INT}}$ pin asserts an interrupt based on the configuration of the IRQ_MASK_0, IRQ_MASK_1, and IRQ_MASK_2 registers. Interrupt configuration allows the $\overline{\text{INT}}$ pin to assert any of the featured fault detection, as well as on device attachment, and USB voltage/current ADC conversion completion. The $\overline{\text{INT}}$ pin only asserts while a masked IRQ bit is asserted, which means its behavior is also dependent on the AUTOCLR bit.

Stand-alone variants of the MAX20461 feature an open-drain, active-low, $\overline{\text{ATTACH}}$ output that serves as the attach

detection pin. For standalone variants, the $\overline{\text{ATTACH}}$ pin can be used for GPIO input to a microprocessor, or to drive an LED for attach/charge indication.

The $\overline{\text{INT}}(\overline{\text{ATTACH}})$ assertion logic is shown in [ATTACH Logic Diagram](#).

I²C Output Voltage and Current Measurement

The MAX20461 I²C variant allows measurement of the instantaneous SENSE voltage, DC output current, and die temperature using an integrated ADC. To initiate a measurement, set the ADC_REQ bit of the ADC_REQUEST register. The ADC_REQ bit is cleared by the IC once the measurement is complete and the ADC samples are available. Additionally, the ADC_DONE bit of the IRQ_0 register will be set when the sample is available. ADC_DONE can be masked to assert an interrupt when the sample is ready.

The sampled measurements can be read from the ADC_USBV, ADC_USBI, and ADC_TEMP registers. The new sample persists in the register until another sample request is initiated by setting the ADC_REQ bit.

All measurements provide 8 bits of resolution. The measured SENSE voltage has a range of 0V to 19.8V. Convert the sample to a voltage as follows

$$V_{\text{SENSE}} = \frac{19.8\text{V}}{256} \cdot \text{ADC_USBV (Volts)}.$$

The measured SENSE voltage has a range from 0 to 116mV. Convert the sample to a current as follows

$$I_{\text{LOAD}} = \frac{116\text{mV}}{256} \cdot \frac{\text{ADC_USBI}}{R_{\text{SENSE}}} \text{ (Amps)}.$$

The measured die temp has a range from -40°C to 170°C and a temperature resolution of 3.5°C. Convert the sample to a die temperature by $T_J = 3.5^\circ\text{C} \cdot \text{ADC_TEMP} - 270$ (°C).

I²C Interface

The MAX20461 features an I²C, 2-wire serial interface consisting of a serial-data line (SDA) and a serial clock line (SCL). SDA and SCL facilitate communication between the MAX20461 and the master at clock rates up to 400kHz. The master, typically a microcontroller, generates SCL and initiates data transfer on the bus. [Figure 5](#) shows the 2-wire interface timing diagram.

A master device communicates to the MAX20461 by transmitting the proper address followed by the data word. Each transmit sequence is framed by a START (S) or REPEATED START (Sr) condition and a STOP (P) condition. Each word transmitted over the bus is 8 bits long and is always followed by an acknowledge clock pulse. The MAX20461 SDA line operates as both an input and an open-drain output. A pullup resistor greater than 500Ω is required on the SDA bus.

The MAX20461 SCL line operates as an input only. A pullup resistor greater than 500Ω is required on SCL if there are multiple masters on the bus, or if the master in a single-master system has an open-drain SCL output. Series resistors in line with SDA and SCL are optional. The SCL and SDA inputs suppress noise spikes to assure proper device operation even on a noisy bus.

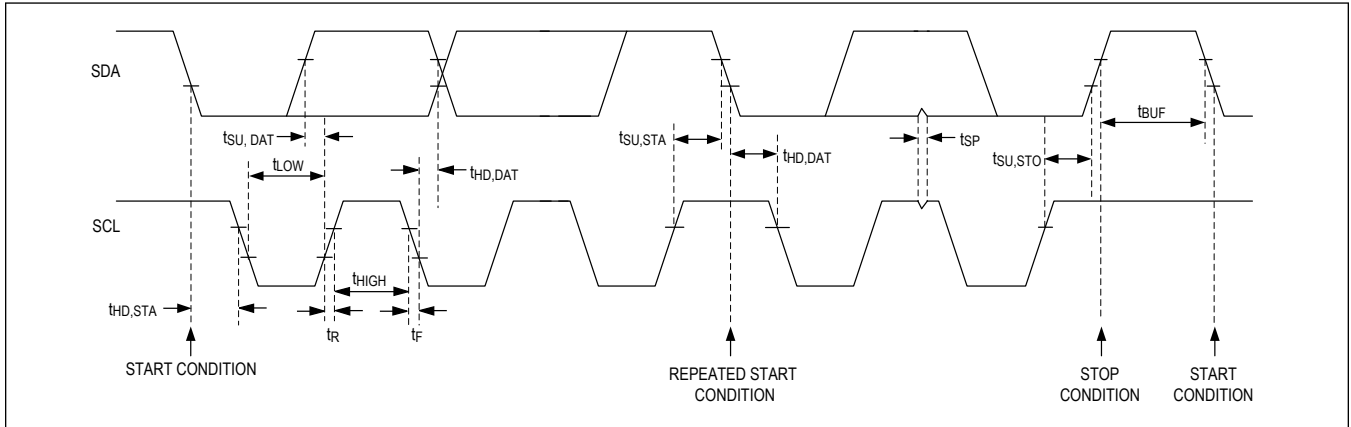


Figure 5. I²C Timing Diagram

Bit Transfer

One data bit is transferred during each SCL cycle. The data on SDA must remain stable during the high period of the SCL pulse. Changes in SDA while SCL is high are considered control signals (see the STOP and START Conditions section). SDA and SCL idle high when the I²C bus is not busy.

STOP and START Conditions

A master device initiates communication by issuing a START condition. A START condition is a high-to-low transition on SDA with SCL high. A STOP condition is a low-to-high transition on SDA while SCL is high (Figure 6). A START (S) condition from the master signals the beginning of a transmission to the MAX20461. The master terminates transmission, and frees the bus, by issuing a STOP (P) condition. The bus remains active if a REPEATED START (Sr) condition is generated instead of a STOP condition.

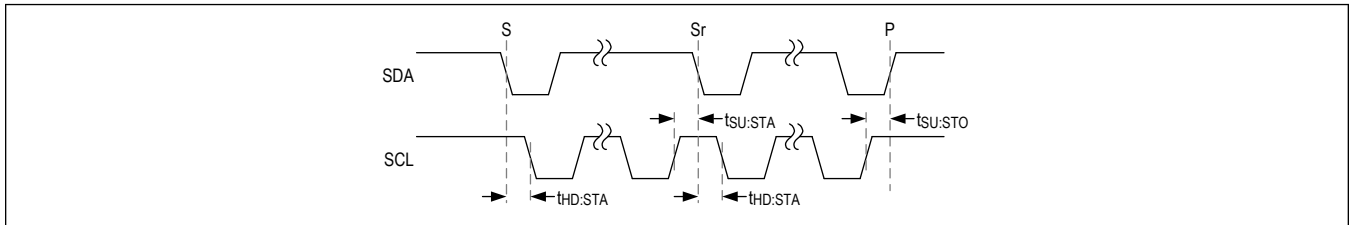


Figure 6. START, STOP and REPEATED START Conditions

Early STOP Condition

The MAX20461 recognizes a STOP condition at any point during data transmission, unless the STOP condition occurs in the same high pulse as a START condition.

Clock Stretching

In general the clock signal generation for the I²C bus is the responsibility of the master device. The I²C specification allows slow slave devices to alter the clock signal by holding down the clock line. The process in which a slave device holds down the clock line is typically called clock stretching. The MAX20461 does not use any form of clock stretching to hold down the clock line.

I²C General Call Address

The MAX20461 does not implement the I²C specifications general call address. If the MAX20461 sees the general call

address (0b0000_0000), it does not issue an acknowledge.

I²C Slave Addressing

Once the device is enabled, the I²C slave address is set by the CONFIG1 pin.

The address is defined as the 7 most significant bits (MSBs) followed by the R/W bit. Set the R/W bit to 1 to configure the device to read mode. Set the R/W bit to 0 to configure the device to write mode. The address is the first byte of information sent to the device after the START condition.

Table 11. I²C Slave Addresses

CONFIG1 CODE	A6	A5	A4	A3	A2	A1	A0	7-BIT ADDRESS	WRITE	READ
0b00	0	1	1	0	0	0	0	0x30	0x60	0x61
0b01	0	1	1	0	0	0	1	0x31	0x62	0x63
0b10	0	1	1	0	0	1	0	0x32	0x64	0x65
0b11	0	1	1	0	0	1	1	0x33	0x66	0x67

Acknowledge

The acknowledge bit (ACK) is a clocked 9th bit that the device uses to handshake receipt each byte of data (Figure 7). The device pulls down SDA during the master generated 9th clock pulse. The SDA line must remain stable and low during the high period of the acknowledge clock pulse. Monitoring ACK allows for detection of unsuccessful data transfers. An unsuccessful data transfer occurs if a receiving device is busy or if a system fault has occurred. In the event of an unsuccessful data transfer, the bus master can reattempt communication.

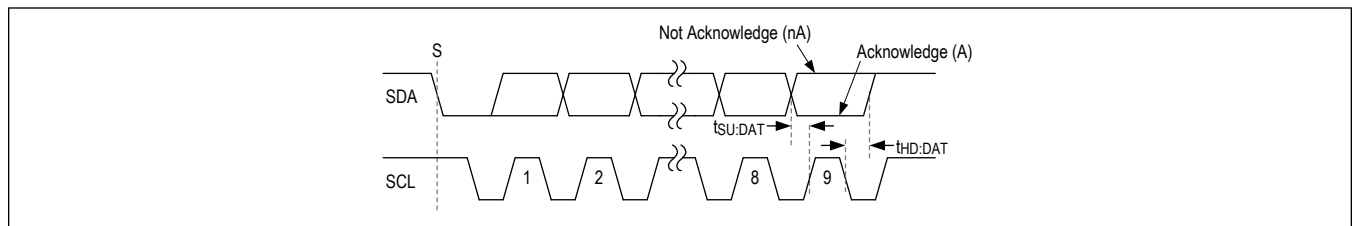


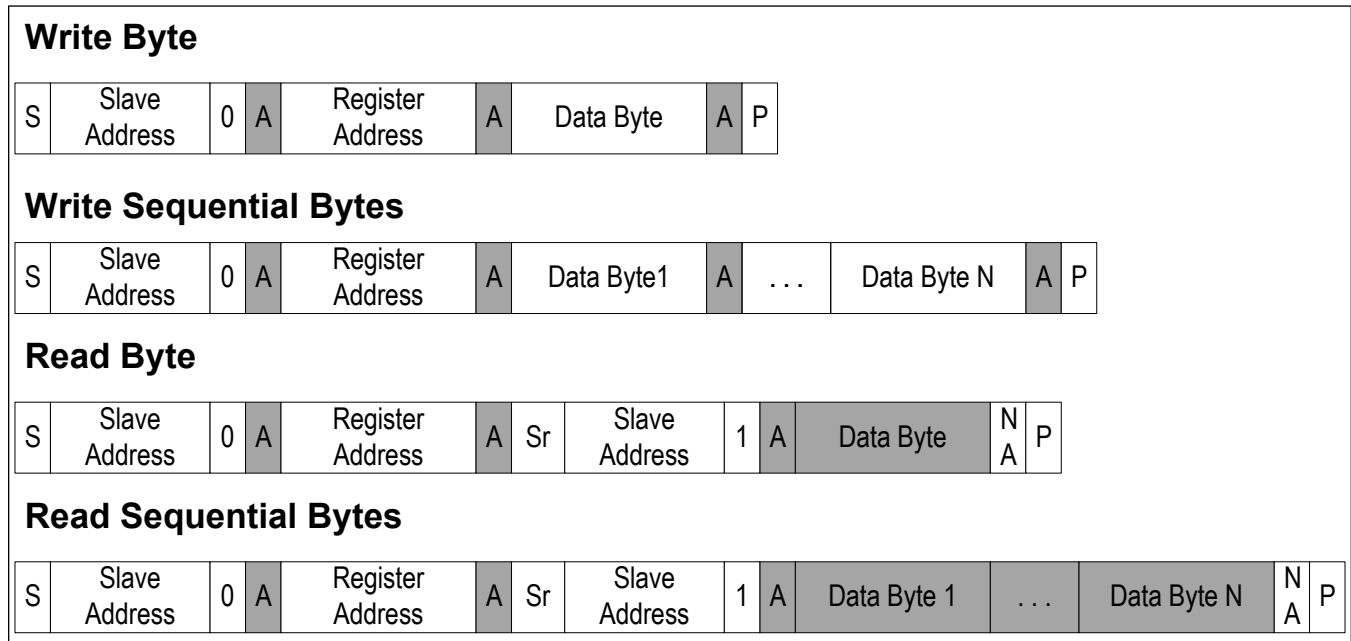
Figure 7. Acknowledge Condition

Write Data Format

A write to the device includes transmission of a START condition, the slave address with the write bit set to 0, one byte of data to a register address, one byte of data to the command register, and a STOP condition. Figure 8 illustrates the proper format for one frame.

Read Data Format

A read from the device includes transmission of a START condition, the slave address with the write bit set to 0, one byte of data from a register address, restart condition, the slave address with read bit set to 1, one byte of data to the command register, and a STOP condition. Figure 8 illustrates the proper format for one frame.

Figure 8. Data Format of I²C Interface

Fault Detection and Diagnostics

Fault Detection

The MAX20461 features advanced device protection features with automatic fault handling and recovery. [Table 12](#) summarizes the conditions that generate a fault, and the actions taken by the device. For all variants, the $\overline{\text{FAULT}}$ output remains asserted as long as a fault condition persists.

For I²C variants, the IRQ registers provide detailed information on the source of the fault condition, and the IRQMASK registers allow selection of the criteria for assertion of the I²C Interrupt pin, $\overline{\text{INT}}$. The IRQ register bits clear when read. However, the IRQ bits that represent a present fault condition continue to reassert after they are cleared, so long as the fault condition persists. If the IRQMASK registers are configured to assert $\overline{\text{INT}}$ for a present fault, the $\overline{\text{INT}}$ pin deasserts when the IRQ register that asserted the interrupt is read. The $\overline{\text{INT}}$ pin subsequently reasserts if the fault condition persists.

Fault Output Pin ($\overline{\text{FAULT}}$)

The MAX20461 features an open-drain, active-low $\overline{\text{FAULT}}$ output. The MAX20461 is designed to eliminate false $\overline{\text{FAULT}}$ reporting by using an internal deglitch and fault blanking timer. This ensures $\overline{\text{FAULT}}$ is not incorrectly asserted during normal operation such as starting into high-capacitance loads. The $\overline{\text{FAULT}}$ pin can be tied directly to the over-current fault input of a hub controller or SoC.

Table 12. Fault Conditions

EVENT	IRQ REGISTER BITS (I ² C ONLY)	DEBOUNCE PRIOR TO ACTION	ACTION TAKEN
Thermal Shutdown	THM_SHD	Immediate	Assert $\overline{\text{FAULT}}$ pin and associated IRQ bit, shut down DC-DC converter, open data switches, and disable R _P . When fault resolves and RETRY_TMR expires, release $\overline{\text{FAULT}}$ pin, enable R _P and the DC-DC converter.

Table 12. Fault Conditions (continued)

EVENT	IRQ REGISTER BITS (I ² C ONLY)	DEBOUNCE PRIOR TO ACTION	ACTION TAKEN
Thermal Warning/ Foldback	THM_WARN	20 ms	Assert associated IRQ bit and reduce Type-C R _P by one step. When fault resolves and RETRY_TMR expires, reset Type-C to CC_SRC_CUR.
IN Overvoltage	IN_OV	Immediate	Assert $\overline{\text{FAULT}}$ pin and associated IRQ bit, shut down DC-DC converter, open data switches, disable R _P , and reset BC1.2. When fault resolves and RETRY_TMR expires, release $\overline{\text{FAULT}}$ pin, close data switches, enable R _P and the DC-DC converter.
HVDP/ HVDM Overvoltage	DATA_OV	Immediate	Assert $\overline{\text{FAULT}}$ pin and associated IRQ bit, shut down DC-DC converter, open data switches, disable R _P , and reset BC1.2. When fault resolves and RETRY_TMR expires, release $\overline{\text{FAULT}}$ pin, close data switches, enable R _P and the DC-DC converter.
USB DC Overcurrent	VBUS_ILIM	16 ms	Assert $\overline{\text{FAULT}}$ pin and associated IRQ bit after overcurrent condition persists for 16ms. When overcurrent resolves and RETRY_TMR expires, release $\overline{\text{FAULT}}$ pin.
USB DC Overcurrent and SENSN < 4.38V	VBUS_ILIM_UV	16 ms	ILIM_ITRIP = 0: Assert $\overline{\text{FAULT}}$ pin and associated IRQ bit, shut down DC-DC converter, and disable R _P after overcurrent and undervoltage condition persists for 16ms. Release $\overline{\text{FAULT}}$ pin, enable R _P and DC-DC converter once RETRY_TMR expires after shutdown. I ² C variant and ILIM_ITRIP = 1: Assert $\overline{\text{FAULT}}$ pin and associated IRQ bit after overcurrent condition persists for 16ms. When overcurrent resolves and RETRY_TMR expires, release $\overline{\text{FAULT}}$ pin.
SENSN < 4.38V	VBUS_UV	16 ms	Assert $\overline{\text{FAULT}}$ pin and associated IRQ bit after undervoltage condition persists for 16ms. When undervoltage resolves and RETRY_TMR expires, release $\overline{\text{FAULT}}$ pin.
USB DC Overcurrent and SENSN < 2V	VBUS_SHT_GND	Immediate	Assert $\overline{\text{FAULT}}$ pin and associated IRQ bit, shut down DC-DC converter, open data switches, and disable R _P . Release $\overline{\text{FAULT}}$ pin, enable R _P and DC-DC converter once RETRY_TMR expires after shutdown.
LX Overcurrent for 4 Consecutive Cycles and SENSN < 2V	VBUS_SHT_GND	Immediate	Assert $\overline{\text{FAULT}}$ pin and associated IRQ bit, shut down DC-DC converter, open data switches, and disable R _P . Release $\overline{\text{FAULT}}$ pin, enable R _P and DC-DC converter once RETRY_TMR expires after shutdown.
SENSN Overvoltage	VBUS_OV	Immediate	Assert $\overline{\text{FAULT}}$ pin and associated IRQ bit, shut down DC-DC converter, open data switches, and disable R _P . When fault resolves and RETRY_TMR expires, release $\overline{\text{FAULT}}$ pin, enable R _P , DC-DC converter, and data switches.
V _{CONN} Overcurrent	VCONN_ILIM	1 ms	Assert $\overline{\text{FAULT}}$ pin and associated IRQ bit, open V _{CONN} FET. After overcurrent no longer exists and RETRY_TMR expires, release $\overline{\text{FAULT}}$ pin. V _{CONN} can only be re-enabled by passing through the unattached state.
V _{BUS} Pre- on Overvoltage	VBUS_PRE_OV	16 ms	Assert $\overline{\text{FAULT}}$ pin and associated IRQ bit after overvoltage condition persists for 16ms. After overvoltage no longer exists and RETRY_TMR has expired, release $\overline{\text{FAULT}}$ pin.

Register Map

Summary Table

ADDRESS	NAME	MSB							LSB
USER_CMDS									
0x00	SETUP_0[7:0]	-	THM_FL DBK_EN	EN_DCD C	VOUT[2:0]			SYNC_D IR	SS_EN
0x01	SETUP_1[7:0]	FSW[2:0]			GAIN[4:0]				
0x02	SETUP_2[7:0]	-	-	-	ILIM_ITR IP	-	ILIM[2:0]		
0x03	SETUP_3[7:0]	RETRY_TMR[1:0]		CD[1:0]		CC_ENB	CC_VCO NN_EN	CC_SRC_CUR[1:0]	
0x04	SETUP_4[7:0]	-	-	-	-	-	-	-	CONFIG URED
0x05	ADC_REQUEST[7:0]	-	-	-	-	-	-	-	ADC_RE Q
0x06	CC_REQUEST[7:0]	-	-	-	-	-	-	CC_FOR CE_ERR	CC_SRC _RST
0x07	IRQ_MASK_0[7:0]	IRQ_AU TOCLR	-	EN_CC_ STATE_ EV	EN_CC_ ATTACH_ IRQ	EN_BC_ ATTACH_ IRQ	EN_CC_ ATTACH_ EV	EN_BC_ ATTACH_ EV	EN_ADC_ DONE
0x08	IRQ_MASK_1[7:0]	-	EN_VBU S_PRE_ OV	EN_VBU S_ILIM_ UV	EN_VBU S_ILIM	EN_VBU S_OV	EN_VBU S_UV	EN_VBU S_SHT_ GND	EN_THM _SHD
0x09	IRQ_MASK_2[7:0]	-	-	EN_VBU S_PREB IAS	EN_VCO NN_ERR	EN_THM _WARN	EN_IN_ OV	EN_DAT A_OV	EN_VCO NN_ILIM
0x0A	IRQ_0[7:0]	UNCON FIGURE D	-	CC_STA TE_EV	CC_ATT ACH_IR Q	BC_ATT ACH_IR Q	CC_ATT ACH_EV	BC_ATT ACH_EV	ADC_DO NE
0x0B	IRQ_1[7:0]	-	VBUS_P RE_OV	VBUS_IL IM_UV	VBUS_IL IM	VBUS_O V	VBUS_U V	VBUS_S HT_GND	THM_SH D
0x0C	IRQ_2[7:0]	-	-	VBUS_P REBIAS	VCONN_ ERR	THM_W ARN	IN_OV	DATA_O V	VCONN_ ILIM
0x0D	STATUS_0[7:0]	-	-	-	CC_ATT ACH	BC_ATT ACH	VBMON _SAFE	VCONN_ READY	VBUS_S TAT
0x0E	STATUS_1[7:0]	-	-	CC_PIN_STATE[1:0]		CC_STATE[3:0]			
0x10	ADC_0[7:0]	ADC_USBI[7:0]							
0x11	ADC_1[7:0]	ADC_USBV[7:0]							
0x12	ADC_2[7:0]	ADC_TEMP[7:0]							

Register Details

[SETUP_0 \(0x0\)](#)

BIT	7	6	5	4	3	2	1	0
Field	–	THM_FLDBK_EN	EN_DCDC	VOUT[2:0]			SYNC_DIR	SS_EN
Reset	–	0b0	0b1	0b000				
Access Type	–	Write, Read	Write, Read	Write, Read			Write, Read	Write, Read

BITFIELD	BITS	DESCRIPTION	DECODE
THM_FLDBK_EN	6	Lowers the Type-C advertised current capability when thermal warning is tripped.	0 = Disable Thermal Foldback 1 = Enable Thermal Foldback
EN_DCDC	5	DC/DC Converter Enable. Internally AND'ed with the ENBUCK pin.	0 = Disable V _{BUS} Buck Converter 1 = Enable V _{BUS} Buck Converter
VOUT	4:2	V _{BUS} Output Level Selection	0b000 = 5V 0b001 = 9V 0b010 = 12V 0b011 = 15V 0b100 = 18V (protected battery pass-through) 0b101 = 5V 0b110 = 5V 0b111 = 5V
SYNC_DIR	1	SYNC Pin Direction Selection Initial value set by CONFIG1 resistor.	0 = Output 1 = Input
SS_EN	0	Spread Spectrum Enable Initial value set by CONFIG1 resistor.	0 = Disable Spread Spectrum Function 1 = Enable Spread Spectrum Function

SETUP 1 (0x1)

BIT	7	6	5	4	3	2	1	0
Field	FSW[2:0]			GAIN[4:0]				
Reset	0b000			0b00000				
Access Type	Write, Read			Write, Read				

BITFIELD	BITS	DESCRIPTION	DECODE
FSW	7:5	DC/DC Converter Switching Frequency Selection	0b000 = 2200 kHz 0b001 = 1200 kHz 0b010 = 790 kHz 0b011 = 600 kHz 0b100 = 488 kHz 0b101 = 410 kHz 0b110 = 350 kHz 0b111 = 310 kHz

BITFIELD	BITS	DESCRIPTION	DECODE
GAIN	4:0	The gain of the voltage correction applied to the buck converter output (based on DC load sensed by current sense amp). $R_{SENSE} = 33m\Omega$.	0: 0m Ω 1: 18m Ω 2: 36m Ω 3: 54m Ω 4: 72m Ω 5: 90m Ω 6: 108m Ω 7: 126m Ω 8: 144m Ω 9: 162m Ω 10: 180m Ω 11: 198m Ω 12: 216m Ω 13: 234m Ω 14: 252m Ω 15: 270m Ω 16: 288m Ω 17: 306m Ω 18: 324m Ω 19: 342m Ω 20: 360m Ω 21: 378m Ω 22: 396m Ω 23: 414m Ω 24: 432m Ω 25: 450m Ω 26: 468m Ω 27: 486m Ω 28: 504m Ω 29: 522m Ω 30: 540m Ω 31: 558m Ω

SETUP_2 (0x2)

BIT	7	6	5	4	3	2	1	0
Field	–	–	–	ILIM_ITRIP	–	ILIM[2:0]		
Reset	–	–	–	0b0	–	0b111		
Access Type	–	–	–	Write, Read	–	Write, Read		

BITFIELD	BITS	DESCRIPTION	DECODE
ILIM_ITRIP	4	Determines the buck's retry behavior under USB DC current limit conditions.	0 = VBUS_ILIM_UV fault enabled. 1 = VBUS_ILIM_UV fault disabled.
ILIM	2:0	USB DC Current-Limit Threshold, $R_{SENSE} = 33m\Omega$.	USB DC Current-Limit Threshold (min in Amps) 0b000 = 0.3 0b001 = 0.55 0b010 = 0.8 0b011 = 1.05 0b100 = 1.62 0b101 = 2.1 0b110 = 2.6 0b111 = 3.04

SETUP_3 (0x3)

BIT	7	6	5	4	3	2	1	0
Field	RETRY_TMR[1:0]		CD[1:0]		CC_ENB	CC_VCONN_EN	CC_SRC_CUR[1:0]	
Reset	0b00				0b0	0b1	0b01	
Access Type	Write, Read		Write, Read		Write, Read	Write, Read	Write, Read	

BITFIELD	BITS	DESCRIPTION	DECODE
RETRY_TMR	7:6	Determines the length of the RETRY timer after a fault condition.	0b00 = 2.0s 0b01 = 1.0s 0b10 = 0.5s 0b11 = 16ms
CD	5:4	BC1.2 Charge Detection Configuration Selection. This register is pre-loaded based on the part number variant and the status of the BCMODE pin.	0b00 = High Speed Pass Through (SDP) 0b01 = Auto-CDP 0b10 = Reserved 0b11 = Reserved
CC_ENB	3	Disable Type-C Detection	0 = Enable 1 = Disable
CC_VCONN_EN	2	MAX20461A: Not Used MAX20461: Enable V _{CONN} pass-through	0 = Disable V _{CONN} pass-through. 1 = Enable V _{CONN} pass-through.
CC_SRC_CUR	1:0	Type-C DFP source pullup current advertisement (R _P)	00 = 0.5A 01 = 1.5A 10 = 3.0A 11 = 0.5A

SETUP_4 (0x4)

BIT	7	6	5	4	3	2	1	0
Field	–	–	–	–	–	–	–	CONFIGURED
Reset	–	–	–	–	–	–	–	0b0
Access Type	–	–	–	–	–	–	–	Write, Read

BITFIELD	BITS	DESCRIPTION	DECODE
CONFIGURED	0	I ² C configuration complete indicator Upon power-up, the buck converter is prevented from turning on until this bit is written to a one, indicating the part is fully configured for its intended mode of operation.	0 = I ² C Configuration Pending 1 = I ² C Configuration Complete

ADC_REQUEST (0x5)

BIT	7	6	5	4	3	2	1	0
Field	–	–	–	–	–	–	–	ADC_REQ
Reset	–	–	–	–	–	–	–	0b0
Access Type	–	–	–	–	–	–	–	Write, Read

BITFIELD	BITS	DESCRIPTION	DECODE
ADC_REQ	0	ADC V/I Sample Request When a one is written, ADC V/I sampling is initiated. This bit is cleared once the requested sampling is complete and the ADC results are updated. The status of the ADC conversion (data ready) can be monitored in the IRQ0 register.	0 = No ADC Sample Requested 1 = ADC Sample Requested

CC_REQUEST (0x6)

BIT	7	6	5	4	3	2	1	0
Field	–	–	–	–	–	–	CC_FORCE_ERR	CC_SRC_RST
Reset	–	–	–	–	–	–	0b0	0b0
Access Type	–	–	–	–	–	–	Write, Read	Write, Read

BITFIELD	BITS	DESCRIPTION	DECODE
CC_FORCE_ERR	1	Type-C Force Error Request This is a request bit (write-only). Forces the Type-C state machine to go through error recovery. This bit will always read back zero.	0 = No change to current operating state. 1 = Force transition to error recovery state.
CC_SRC_RST	0	Type-C Force Source Reset Request This is a request bit (write-only). The Type-C state machine will be forced back to the UnAttached.SRC state, restarting Type-C detection. This bit will always read back zero.	0 = No change to current operating state 1 = Force transition to UnAttached.SRC state

IRQ_MASK_0 (0x7)

A Read-Write register that configures which of the conditions in the IRQ_0 register will assert an Interrupt. See the IRQ_0 register for condition descriptions.

BIT	7	6	5	4	3	2	1	0
Field	IRQ_AUTO CLR	–	EN_CC_STATE_EV	EN_CC_ATTACH_IRQ	EN_BC_ATTACH_IRQ	EN_CC_ATTACH_EV	EN_BC_ATTACH_EV	EN_ADC_DONE
Reset	0b0	–	0b0	0b0	0b0	0b0	0b0	0b0
Access Type	Write, Read	–	Write, Read	Write, Read	Write, Read	Write, Read	Write, Read	Write, Read

BITFIELD	BITS	DESCRIPTION	DECODE
IRQ_AUTOC CLR	7	IRQ Auto Clear	0 = IRQ register flags are latched on until read. 1 = IRQ register flags are automatically cleared when the error condition is removed.
EN_CC_STATE_EV	5	CC_STATE Interrupt Enable	0 = Not included in Interrupt 1 = Included in Interrupt
EN_CC_ATTACH_IRQ	4	Type-C ATTACH STATUS Interrupt Enable	0 = Not included in Interrupt 1 = Included in Interrupt
EN_BC_ATTACH_IRQ	3	BC1.2 ATTACH STATUS Interrupt Enable	0 = Not included in Interrupt 1 = Included in Interrupt

BITFIELD	BITS	DESCRIPTION	DECODE
EN_CC_ATTACH_EV	2	Type-C ATTACH EVENT Interrupt Enable	0 = Not included in Interrupt 1 = Included in Interrupt
EN_BC_ATTACH_EV	1	BC1.2 ATTACH EVENT Interrupt Enable	0 = Not included in Interrupt 1 = Included in Interrupt
EN_ADC_DONE	0	ADC_DONE Interrupt Enable	0 = Not included in Interrupt 1 = Included in Interrupt

IRQ_MASK 1 (0x8)

A Read-Write register that configures which of the conditions in the IRQ_1 register will assert an Interrupt. See the IRQ_1 register for condition descriptions.

BIT	7	6	5	4	3	2	1	0
Field	–	EN_VBUS_PRE_OV	EN_VBUS_ILIM_UV	EN_VBUS_ILIM	EN_VBUS_OV	EN_VBUS_UV	EN_VBUS_SHT_GND	EN_THM_SHD
Reset	–	0x0	0b0	0b0	0b0	0b0	0b0	0b0
Access Type	–	Write, Read	Write, Read	Write, Read	Write, Read	Write, Read	Write, Read	Write, Read

BITFIELD	BITS	DESCRIPTION	DECODE
EN_VBUS_PRE_OV	6	VBUS_PRE_OV Interrupt Enable	0 = Not included in Interrupt 1 = Included in Interrupt
EN_VBUS_ILIM_UV	5	VBUS_ILIM_UV Interrupt Enable	0 = Not included in Interrupt 1 = Included in Interrupt
EN_VBUS_ILIM	4	VBUS_ILIM Interrupt Enable	0 = Not included in Interrupt 1 = Included in Interrupt
EN_VBUS_OV	3	VBUS_OV Interrupt Enable	0 = Not included in Interrupt 1 = Included in Interrupt
EN_VBUS_UV	2	VBUS_UV Interrupt Enable	0 = Not included in Interrupt 1 = Included in Interrupt
EN_VBUS_SHT_GND	1	VBUS_SHT_GND Interrupt Enable	0 = Not included in Interrupt 1 = Included in Interrupt
EN_THM_SHD	0	THM_SHD Interrupt Enable	0 = Not included in Interrupt 1 = Included in Interrupt

IRQ_MASK 2 (0x9)

A Read-Write register that configures which of the conditions in the IRQ_2 register will assert an Interrupt. See the IRQ_2 register for condition descriptions.

BIT	7	6	5	4	3	2	1	0
Field	–	–	EN_VBUS_PREBIAS	EN_VCONN_ERR	EN_THM_WARN	EN_IN_OV	EN_DATA_OV	EN_VCONN_ILIM
Reset	–	–	0b0	0b0	0b0	0b0	0b0	0x0
Access Type	–	–	Write, Read	Write, Read	Write, Read	Write, Read	Write, Read	Write, Read

BITFIELD	BITS	DESCRIPTION	DECODE
EN_VBUS_PREBIAS	5	VBUS_PREBIAS Interrupt Enable	0 = Not included in Interrupt 1 = Included in Interrupt

BITFIELD	BITS	DESCRIPTION	DECODE
EN_VCONN_ERR	4	MAX20461A: Not Used MAX20461: VCONN_ERR Interrupt Enable	0 = Not included in Interrupt 1 = Included in Interrupt
EN_THM_WARN	3	THM_WARN Interrupt Enable	0 = Not included in Interrupt 1 = Included in Interrupt
EN_IN_OV	2	IN_OV Interrupt Enable	0 = Not included in Interrupt 1 = Included in Interrupt
EN_DATA_OV	1	DATA_OV Interrupt Enable	0 = Not included in Interrupt 1 = Included in Interrupt
EN_VCONN_ILIM	0	MAX20461A: Not Used MAX20461: VCONN_ILIM Interrupt Enable	0 = Not included in Interrupt 1 = Included in Interrupt

IRQ_0 (0xA)

A read only register that includes flags which indicate a number of operating conditions. These flags can assert an interrupt by setting the corresponding bit in the MASK register.

IRQ_0 holds notifications of expected operations rather than error/fault conditions.

BIT	7	6	5	4	3	2	1	0
Field	UNCONFIGURED	–	CC_STATE_EV	CC_ATTACH_IRQ	BC_ATTACH_IRQ	CC_ATTACH_H_EV	BC_ATTACH_H_EV	ADC_DONE
Reset	0b0	–	0b0	0b0	0b0	0b0	0b0	0b0
Access Type	Read Clears All	–	Read Clears All	Read Clears All	Read Clears All	Read Clears All	Read Clears All	Read Clears All

BITFIELD	BITS	DESCRIPTION	DECODE
UNCONFIGURED	7	I ² C Unconfigured Indicator Bit	0 = Device is fully configured (CONFIGURED written to 1) 1 = Device is not fully configured (CONFIGURED has not been written to 1)
CC_STATE_EV	5	Type-C State Change Indicator Clear on Read. Not affected by IRQ_AUTOCLR.	0 = No change in Type-C state since last read 1 = Type-C state has changed since last read
CC_ATTACH_IRQ	4	Type-C ATTACH Indicator This bit indicates a Type-C device attach is observed via the CC Pins. Applies to Attached.SRC states. Further attach details can be read in the STATUS registers.	0 = No Type-C device attached 1 = Type-C device attached
BC_ATTACH_IRQ	3	BC1.2 ATTACH Indicator This bit indicates a BC1.2 device attach is observed via the HVDP/HVDM pins.	0 = No device attached 1 = Device attached

BITFIELD	BITS	DESCRIPTION	DECODE
CC_ATTACH_EV	2	Type-C ATTACH Event Detected This bit indicates a Type-C device attach was initiated and/or terminated as observed via the CC Pins. This bit differs from CC_ATTACH (which indicates the current Type-C attach status in real time) in that it is issued only when the status changes from unattached to attached or vice-versa. Clear on Read. Not affected by IRQ_AUTOCLR.	0 = No attach or detach event detected since least read 1 = New attach and/or detach event detected
BC_ATTACH_EV	1	BC1.2 ATTACH Event Detected This bit indicates a BC1.2 device attach was initiated and/or terminated as observed via the HVDP/HVDM pins. This bit differs from BC_ATTACH (which indicates the current BC1.2 attach status in real time) in that it is issued only when the status changes from unattached to attached or vice-versa. Clear on Read. Not affected by IRQ_AUTOCLR.	0 = No attach or detach event detected since least read 1 = New attach and/or detach event detected
ADC_DONE	0	ADC Measurement Complete Indicator. Clear on Read.	0 = No new data available since least read 1 = New data available

IRQ_1 (0xB)

A read only register that includes flags which indicate a number of error conditions. These flags can assert an interrupt by setting the corresponding bit in the MASK register.

BIT	7	6	5	4	3	2	1	0
Field	–	VBUS_PRE_OV	VBUS_ILIM_UV	VBUS_ILIM	VBUS_OV	VBUS_UV	VBUS_SHT_GND	THM_SHD
Reset	–	0b0	0b0	0b0	0b0	0b0	0b0	0b0
Access Type	–	Read Clears All	Read Clears All	Read Clears All	Read Clears All	Read Clears All	Read Clears All	Read Clears All

BITFIELD	BITS	DESCRIPTION	DECODE
VBUS_PRE_OV	6	VBUS Pre-Overvoltage Fault Detected Asserts if overvoltage exists on VBMON when Type-C is enabled and no Type-C device is attached. Clear on Read if condition is resolved.	0 = No event 1 = Event detected
VBUS_ILIM_UV	5	VBUS Current Limit and SENSN UV Fault Detected Disabled when ILIM_ITRIP = 1. Clear on Read if condition is resolved.	0 = No event 1 = Event detected

BITFIELD	BITS	DESCRIPTION	DECODE
VBUS_ILIM	4	VBUS Current Limit Condition Detected Disabled when ILIM_ITRIP = 0. Clear on Read if condition is resolved.	0 = No event 1 = Event detected
VBUS_OV	3	VBUS Overvoltage Fault Detected Detected on SENS pin. Clear on Read if condition is resolved.	0 = No event 1 = Event detected
VBUS_UV	2	VBUS Under Voltage Fault Detected Detected on SENS pin. Clear on Read if condition is resolved.	0 = No event 1 = Event detected
VBUS_SHT_GND	1	VBUS Short to Ground Fault Detected Detected on SENS pin. Clear on Read if condition is resolved.	0 = No event 1 = Event detected
THM_SHD	0	Over Temperature Fault Detected Asserts when the die temperature exceeds 165°C (typ). Clear on Read if condition is resolved.	0 = No event 1 = Event detected

IRQ_2 (0xC)

A read only register that includes flags which indicate a number of error conditions. These flags can assert an interrupt by setting the corresponding bit in the MASK register.

BIT	7	6	5	4	3	2	1	0
Field	–	–	VBUS_PREBIAS	VCONN_ERR	THM_WARN	IN_OV	DATA_OV	VCONN_ILIM
Reset	–	–	0b0	0b0	0b0	0b0	0b0	0b0
Access Type	–	–	Read Clears All	Read Clears All	Read Clears All	Read Clears All	Read Clears All	Read Clears All

BITFIELD	BITS	DESCRIPTION	DECODE
VBUS_PREBIAS	5	VBUS Pre-Bias Asserts if Type-C is enabled and VBMON > VSAFE0V when no Type-C device is attached.	0 = No event 1 = Event detected
VCONN_ERR	4	MAX20461A: Not Used MAX20461: VCONN input requested and the VCONN source is not within operating range.	0 = No event 1 = Event detected
THM_WARN	3	Thermal Warning Condition Detected Asserts when the temperature has reached 140°C (typ). If thermal foldback is enabled, the Type-C current advertisement is lowered one step while this bit is asserted. Clear on Read if condition is resolved.	0 = No event 1 = Event detected
IN_OV	2	IN Pin Overvoltage Fault Detected Clear on Read if condition is resolved.	0 = No event 1 = Event detected
DATA_OV	1	DATA Pin Overvoltage Fault Detected Clear on Read if condition is resolved.	0 = No event 1 = Event detected

BITFIELD	BITS	DESCRIPTION	DECODE
VCONN_ILIM	0	MAX20461A: Not Used MAX20461: V _{CONN} Overcurrent Fault Detected The V _{CONN} overcurrent monitor is only active when V _{CONN} is being sourced to a CC pin. It is not active on the opposite CC pin. Clear on Read if condition is resolved.	0 = No event 1 = Event detected

STATUS_0 (0xD)

A read only register that includes information on the current status of the IC.

BIT	7	6	5	4	3	2	1	0
Field	–	–	–	CC_ATTAC H	BC_ATTAC H	VBMON_S AFE	VCONN_R EADY	VBUS_STA T
Reset	–	–	–	0b0	0b0	0b0	0b0	0b0
Access Type	–	–	–	Read Only	Read Only	Read Only	Read Only	Read Only

BITFIELD	BITS	DESCRIPTION	DECODE
CC_ATTACH	4	Type-C ATTACH Status Indicator This bit indicates the current Type-C attach status via the CC pins. More details can be read in the STATUS_1 register.	0 = No Type-C device currently attached 1 = Type-C device currently attached
BC_ATTACH	3	BC1.2 ATTACH Status Indicator This bit indicates the current device attach status via the HVDP/HVDM pins. More details can be read in the STATUS_1 register.	0 = No device currently attached 1 = Device currently attached
VBMON_SAFE	2	VBMON (V _{BUS}) Safe Status Indicator Determines if the DC-DC converter can be turned on after a Type-C attach. Only applicable with Type-C enabled.	0 = V _{BUS} > V _{SAFE0V} 1 = V _{BUS} < V _{SAFE0V}
VCONN_READY	1	MAX20461A: Not Used MAX20461: V _{CONN} Detect Status Indicator Asserts when Type-C is enabled and a V _{CONN} source is detected on the V _{CONN} pin.	0 = V _{CONN} not observed 1 = V _{CONN} > V _{VCONN_DET}
VBUS_STAT	0	Type-C V _{BUS} Status Indicator	0 = V _{BUS} not applied to receptacle 1 = V _{BUS} applied to receptacle (Attached.SRC)

STATUS_1 (0xE)

A read only register that includes information on the current status of the IC.

BIT	7	6	5	4	3	2	1	0
Field	–	–	CC_PIN_STATE[1:0]		CC_STATE[3:0]			
Reset	–	–	0b00		0b0000			
Access Type	–	–	Read Only		Read Only			

BITFIELD	BITS	DESCRIPTION	DECODE
CC_PIN_STATUS	5:4	Type-C Active CC Pin/Orientation Indicator	0b00 = No Attach 0b01 = R _D detected on CC1 0b10 = R _D detected on CC2 0b11 = Not used
CC_STATE	3:0	Type-C Functional Status/State Indicator	0b0000 = Disabled 0b0010 = ErrorRecovery 0b0011 = Unattached.SRC 0b0110 = AttachWait.SRC 0b1000 = Attached.SRC (CC2) 0b1100 = Attached.SRC (CC1)

ADC_0 (0x10)

BIT	7	6	5	4	3	2	1	0
Field	ADC_USB[7:0]							
Reset	0x00							
Access Type	Read Only							
BITFIELD	BITS	DESCRIPTION	DECODE					
ADC_USB	7:0	USB Load Current ADC Measurement Result	$I_{LOAD} = ((116mV/256) * ADC_USB)/R_{SENSE}$ (amperes)					

ADC_1 (0x11)

BIT	7	6	5	4	3	2	1	0
Field	ADC_USBV[7:0]							
Reset	0x00							
Access Type	Read Only							
BITFIELD	BITS	DESCRIPTION	DECODE					
ADC_USBV	7:0	USB Voltage ADC Measurement Result	$V_{SENSP} = (19.8V/256) * ADC_USBV$ (volts), when VOUT[2:0] = 0b000					

ADC_2 (0x12)

BIT	7	6	5	4	3	2	1	0
Field	ADC_TEMP[7:0]							
Reset	0x00							
Access Type	Read Only							
BITFIELD	BITS	DESCRIPTION	DECODE					
ADC_TEMP	7:0	Die Temp ADC Measurement Result	Die Temp = 3.5°C * ADC_TEMP - 270 (°C)					

Applications Information

DC-DC Switching Frequency Selection

The switching frequency (f_{SW}) for MAX20461 is programmable via the CONFIG1 resistor (on standalone variants) or by I²C register writes.

Higher switching frequencies allow for smaller PCB area designs with lower inductor values and less output capacitance. Consequently, peak currents and I²R losses are lower at higher switching frequencies, but core losses, gate charge currents, and switching losses increase.

To avoid AM band interference, operation between 500kHz and 1.8MHz is not recommended.

DC-DC Input Capacitor Selection

The input capacitor supplies the instantaneous current needs of the buck converter and reduces the peak currents drawn from the upstream power source. The input bypass capacitor is a determining factor in the input voltage ripple.

The input capacitor RMS current rating requirement ($I_{IN(RMS)}$) is defined by the following equation:

$$I_{IN(RMS)} = I_{LOAD} \frac{\sqrt{V_{SENSP} \times (V_{SUPSW} - V_{SENSP})}}{V_{SUPSW}}$$

$I_{IN(RMS)}$ has a maximum value when the input voltage equals twice the output voltage ($V_{SUPSW} = 2 \cdot V_{SENSP}$), so

$I_{IN(MAX)} = \frac{1}{2} \cdot I_{LOAD(MAX)}$. I_{LOAD} is the measured operating load current, while $I_{LOAD(MAX)}$ refers to the maximum load current.

Choose an input capacitor that exhibits less than 10°C self-heating temperature rise at the RMS input current for optimal long-term reliability.

The input voltage ripple is composed of V_Q (caused by the capacitor discharge) and V_{ESR} (caused by the ESR of the capacitor). Use low-ESR ceramic capacitors with high ripple current capability at the input. Assume the contribution from the ESR and capacitor discharge is equal to 50%. Calculate the input capacitance and ESR required for a specified input voltage ripple using the following equations:

$$ESR_{IN} = \frac{\Delta V_{ESR}}{I_{LOAD(MAX)} + \frac{\Delta I_L}{2}}$$

where:

$$\Delta I_L = \frac{(V_{SUPSW} - V_{SENSP}) \times V_{SENSP}}{V_{SUPSW} \times f_{SW} \times L}$$

and:

$$C_{IN} = \frac{I_{LOAD(MAX)} \times D(1-D)}{\Delta V_Q \times f_{SW}} \text{ where } D = \frac{V_{SENSP}}{V_{SUPSW}}$$

Where D is the buck converter duty cycle.

Bypass SUPSW with 0.1µF parallel to 10µF of ceramic capacitance close to the SUPSW and PGND pins. The ceramic input capacitor of a buck converter has a high $\frac{di}{dt}$, minimize the PCB current-loop area to reduce EMI. Bypass SUPSW with 47µF of bulk electrolytic capacitance to dampen line transients.

DC-DC Output Capacitor Selection

To ensure stability and compliance with the USB and Apple specifications, follow the recommended output filters listed in [Table 13](#). For proper functionality, a minimum amount of ceramic capacitance must be used regardless of f_{SW} . Additional

capacitance for lower switching frequencies can be low-ESR electrolytic types (< 0.25Ω).

DC-DC Output Inductor Selection

Three key inductor parameters must be considered when selecting an inductor: inductance value (L), inductor saturation current (I_{SAT}), and DC resistance (R_{DCR}). To select the proper inductance value, the ratio of inductor peak-to-peak AC current to DC average current (LIR) must be selected. A small LIR will reduce the RMS current in the output capacitor and results in small output ripple voltage, but this requires a larger inductor. A good compromise between size and loss is LIR = 0.35 (35%). Determine the inductor value using the equation below,

$$L = \frac{V_{SENSP} \times (V_{SUPSW} - V_{SENSP})}{V_{SUPSW} \times f_{SW} \times I_{LOAD(MAX)} \times LIR}$$

where V_{SUPSW} and V_{SENSP} are typical values (such that efficiency is optimum for nominal operating conditions). Ensure the inductor I_{SAT} is above the buck converter's cycle-by-cycle peak current limit.

Table 13. Recommended Output Filters For I_{LOAD} of 3A

f _{SW} (kHz)	L _{OUT} (μH)	RECOMMENDED C _{OUT}
2200	1.5	22μF ceramic
488	8.2	3 x 22μF ceramic
488	8.2	22μF ceramic + low-ESR 68μF electrolytic (< 0.25Ω)
248	20	22μF ceramic + low-ESR 68μF electrolytic (< 0.25Ω)

Layout Considerations

Proper PCB layout is critical for robust system performance. See the MAX20461 EV kit datasheet for a recommended layout. Minimize the current-loop area and the parasitics of the DC-DC conversion circuitry to reduce EMI. The input capacitor placement should be prioritized because in a buck converter, the ceramic input capacitor has high $\frac{di}{dt}$. Place the input capacitor, power inductor, and output capacitor as close as possible to the IC SUPSW and PGND pins. Shorter traces should be prioritized over wider traces.

A low-impedance ground connection between the input and output capacitor is required (route through the ground pour on the exposed pad). Connect the exposed pad to ground. Place multiple vias in the pad to connect to all other ground layers for proper heat dissipation. Failure to do so can result in the IC repeatedly reaching thermal shutdown. Do not use separate power and analog ground planes. Instead, use a single common ground and manage currents through component placement. High-frequency return current flows through the path of least impedance (through the ground pour directly underneath the corresponding traces).

USB traces must be routed as a 90Ω differential pair with an appropriate keep-out area. Avoid routing USB traces near clocks and high-frequency switching nodes. The length of the routing should be minimized and avoid 90° turns, excessive vias, and RF stubs.

Determining USB System Requirements

The nominal cable resistance (with tolerance) for both the USB power wire (BUS) and return GND should be determined from the cable manufacturer. In addition, be sure to include the resistance from any inline or PCB connectors. Determine the desired operating temperature range for the application, and consider the change in resistance over temperature.

A typical application presents a 200mΩ BUS resistance with a matching 200mΩ resistance in the ground path. In this application, the voltage drop at the far end of the captive cable is 800mV when the load current is 2A. This voltage drop requires the voltage-adjustment circuitry of the IC to increase the output voltage to comply with the USB and Apple specifications.

USB Loads

MAX20461 is compatible with both USB-compliant and non-compliant loads. A compliant USB device is not allowed to

sink more than 30mA and must not present more than 10µF of capacitance when initially attached to the port. The device then begins its HVD+/HVD- connection and enumeration process. After completion of the connect process, the device can pull 100mA/150mA and must not present a capacitance greater than 10µF. This is considered the hot-inserted, USB-compliant load of 44Ω in parallel with 10µF.

For non-compliant USB loads, the ICs can also support both a hot insertion and soft-start into a USB load of 2Ω in parallel with 330µF.

USB Output Current Limit

The USB load current is monitored by an internal current-sense amplifier through the voltage created across R_{SENSE} . MAX20461 offers a digitally adjustable USB current-limit threshold. See [SETUP_2](#) or [Table 10](#) to select an appropriate register or resistor value for the desired current limit.

Some systems require the need to supply up to 160% of $I_{LOAD(MAX)}$ for brief periods. It is possible to increase the MAX20461 current limit beyond 3.04A (min) by decreasing R_{SENSE} using this scaling factor:

$$R_{SENSE} = 33m\Omega \cdot \frac{3.04A}{1.6 \cdot I_{LOAD(MAX)}}$$

USB Voltage Adjustment

[Figure 9](#) shows a DC model of the voltage-correction function of MAX20461. Without voltage adjustment ($V_{ADJ} = 0$, $GAIN[4:0] = 0$), the voltage seen by the device at the end of the cable will decrease linearly as load current increases. To compensate for this, the output voltage of the buck converter should increase linearly with load current. The slope of

SENSE is called R_{COMP} such that $V_{ADJ} = R_{COMP} \cdot I_{LOAD}$ and $R_{COMP} = GAIN[4:0] \cdot R_{LSB} \cdot \frac{R_{SENSE}}{33m\Omega}$ (see [Figure 10](#)).

The R_{COMP} adjustment values available on MAX20461 are listed in the $GAIN[4:0]$ register description and are based on a 33mΩ sense resistor.

For $V_{DUT} = V_{NO_LOAD}$; $0 \leq I_{LOAD}$, R_{COMP} must equal the sum of the system resistances. Calculate the minimum R_{COMP} for the system so that V_{DUT} stays constant:

$$R_{COMP_SYS} = R_{LR} + R_{SENSE} + R_{PCB} + R_{CABLE_VBUS} + R_{CABLE_GND}$$

Where $R_{CABLE_VBUS} + R_{CABLE_GND}$ is the round-trip resistance of the USB cable (including the effect from the cable shield, if it conducts current), R_{LR} is the buck converter's load regulation expressed in mΩ (51mΩ typ.), and R_{PCB} is the resistance of any additional V_{BUS} parasitics (the V_{BUS} FET, PCB trace, ferrites, and the USB connectors). Find the setting for $GAIN[4:0]$ using the minimum R_{COMP} .

$$GAIN[4:0] = \text{ceiling}\left(\frac{R_{COMP_SYS}}{R_{LSB}} \cdot \frac{33m\Omega}{R_{SENSE}}\right)$$

The nominal DUT voltage can then be estimated at any load current by:

$$V_{DUT} = V_{NO_LOAD} + R_{LSB} \cdot GAIN[4:0] \cdot \frac{R_{SENSE}}{33m\Omega} \cdot I_{LOAD} - R_{COMP_SYS} \cdot I_{LOAD}$$

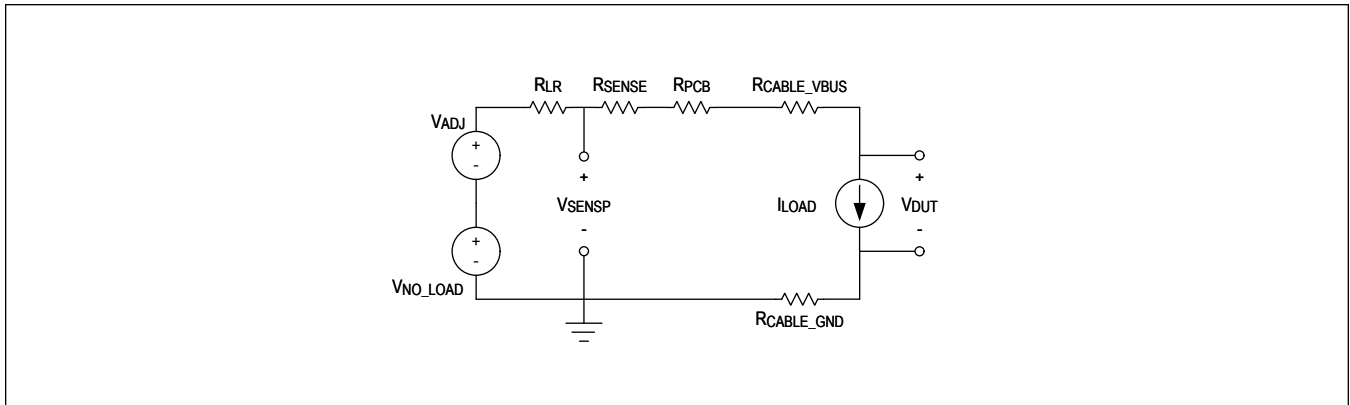


Figure 9. DC Voltage Adjustment Model

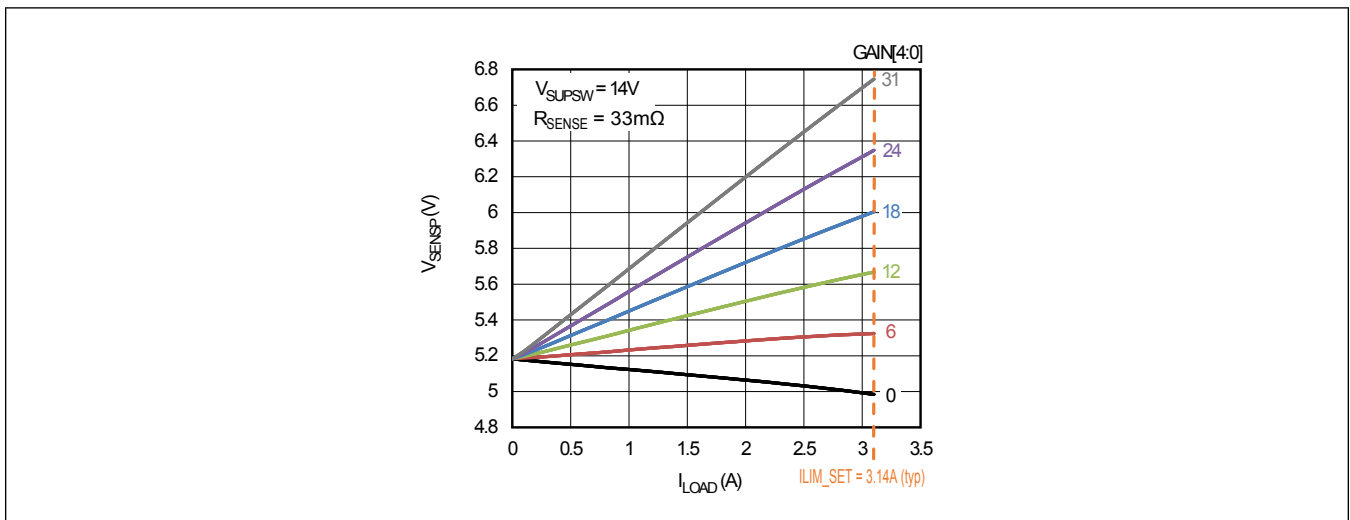


Figure 10. Increase in SENSEP vs. USB Current

Tuning of USB Data Lines

USB Hi-Speed mode requires careful PCB layout with 90Ω controlled differential impedance, with matched traces of equal length and with no stubs or test points. MAX20461 includes high-bandwidth USB data switches (>1GHz). This means data-line tuning is generally not required. However, all designs are recommended to include pads that would allow LC components to be mounted on the data lines so that tuning can easily be performed later, if necessary. Tuning components should be placed as close as possible to the IC data pins, on the same layer of the PCB as the IC. The proper configuration of the tuning components is shown in Figure 11. Figure 12 shows the reference eye diagram used in the test setup. Figure 13 shows the MAX20461 high-voltage eye diagram on the standard EVKIT with no tuning components. Tuning inductors should be high-Q wire-wound inductors. Contact Maxim’s application team for assistance with the tuning process for your specific application.

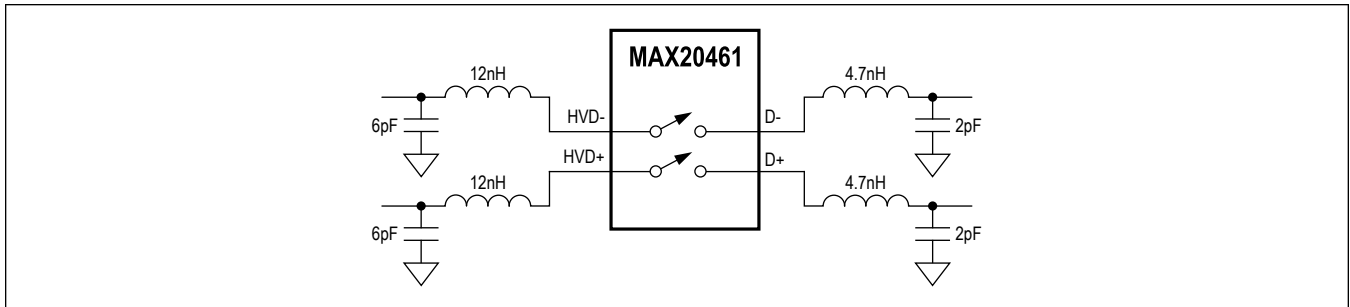


Figure 11. Tuning of Data Lines

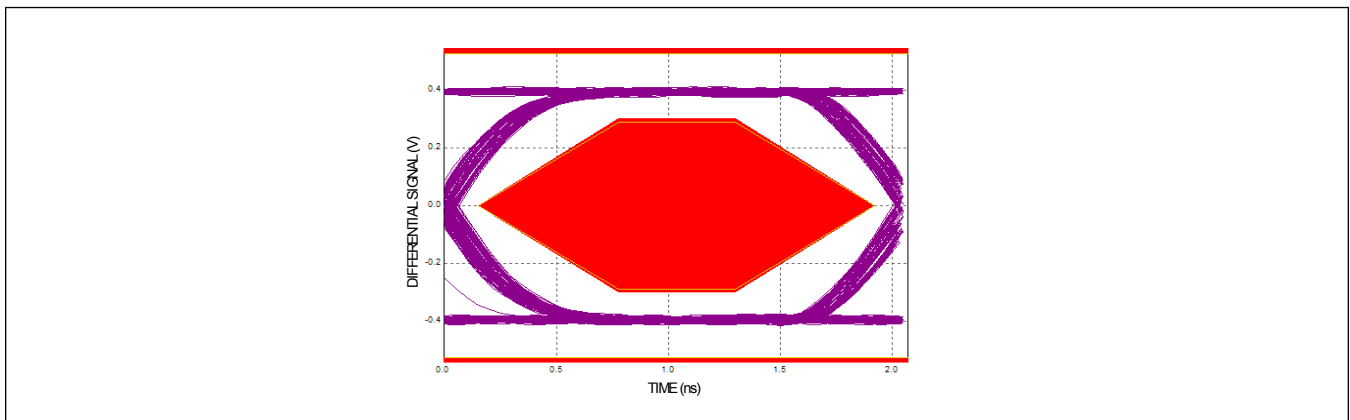


Figure 12. Near-Eye Diagram (with No Switch)

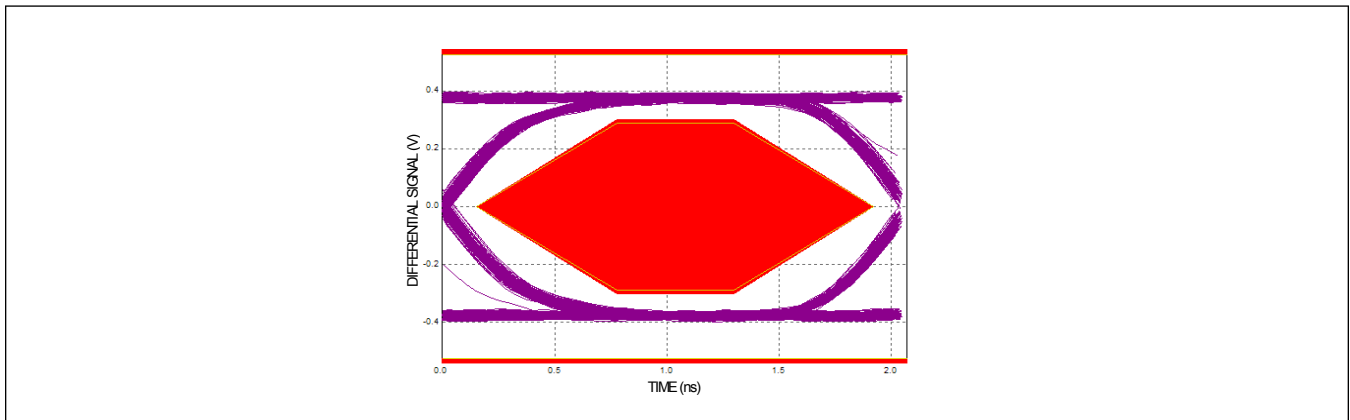


Figure 13. Untuned Near-Eye Diagram (with MAX20461)

USB Data Line Common-Mode Choke Placement

Most automotive applications use a USB-optimized common-mode choke to mitigate EMI signals from both leaving and entering the module. Optimal placement for this EMI choke is at the module’s USB connector. This common-mode choke does not replace the need for the tuning inductors previously mentioned.

ESD Protection

The high-voltage MAX20461 requires no external ESD protection. All Maxim devices incorporate ESD protection structures to protect against electrostatic discharges encountered during handling and assembly. While competing

solutions can latch-up and require the power to be cycled after an ESD event, the MAX20461 continues to work without latch-up. When used with the configuration shown in the [Typical Application Circuit](#), the MAX20461 is characterized for protection to the following limits:

- $\pm 25\text{kV}$ ISO 10605 (330pF, 2k Ω) Air Gap
- $\pm 8\text{kV}$ ISO 10605 (330pF, 2k Ω) Contact
- $\pm 15\text{kV}$ IEC 61000-4-2 (150pF, 330 Ω) Air Gap
- $\pm 8\text{kV}$ IEC 61000-4-2 (150pF, 330 Ω) Contact
- $\pm 15\text{kV}$ ISO 10605 (330pF, 330 Ω) Air Gap
- $\pm 8\text{kV}$ ISO 10605 (330pF, 330 Ω) Contact

Note: All application-level ESD testing is performed on the standard evaluation kit with 1m captive cable.

ESD Test Conditions

ESD performance depends on a variety of conditions. Contact Maxim for test setup, test methodology, and test results.

Human Body Model

[Figure 14](#) shows the Human Body Model, and [Figure 16](#) shows the current waveform it generates when discharged into a low impedance. This model consists of a 100pF capacitor charged to the ESD voltage of interest, which is then discharged into the device through a 1.5k Ω resistor.

IEC 61000-4-2

The IEC 61000-4-2 standard covers ESD testing and performance of finished equipment. MAX20461 helps users design equipment that meets Level 4 of IEC 61000-4-2. The main difference between tests done using the Human Body Model and IEC 61000-4-2 is a higher peak current in IEC 61000-4-2. Because the series resistance is lower in the IEC 61000-4-2 ESD test model [Figure 15](#), the ESD withstand-voltage measured to this standard is generally lower than that measured using the Human Body Model. [Figure 17](#) shows the current waveform for the 8kV, IEC 61000-4-2 Level 4 ESD Contact Discharge test. The Air Gap Discharge test involves approaching the device with a charged probe. The Contact Discharge method connects the probe to the device before the probe is energized.

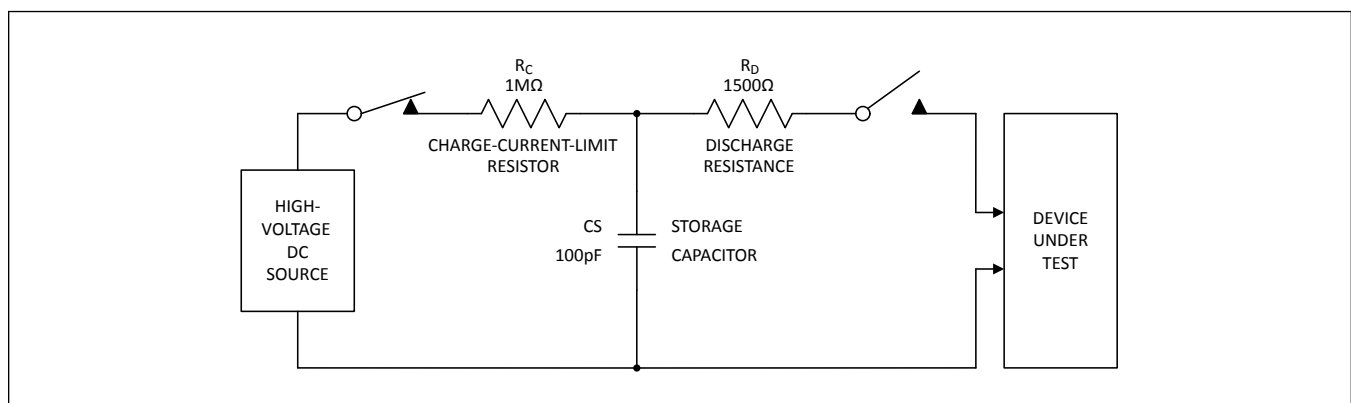


Figure 14. Human Body ESD Test Model

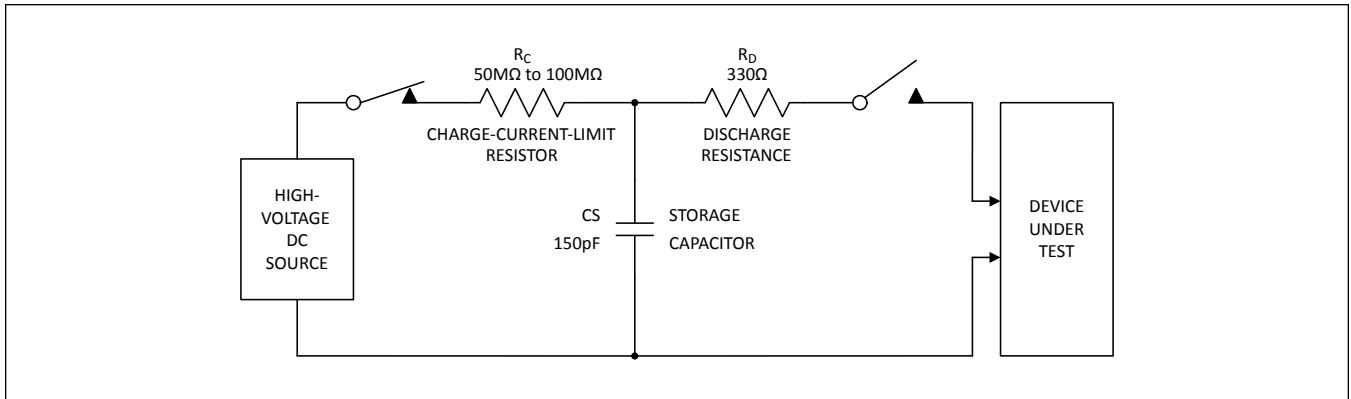


Figure 15. IEC 61000-4-2 ESD Test Model

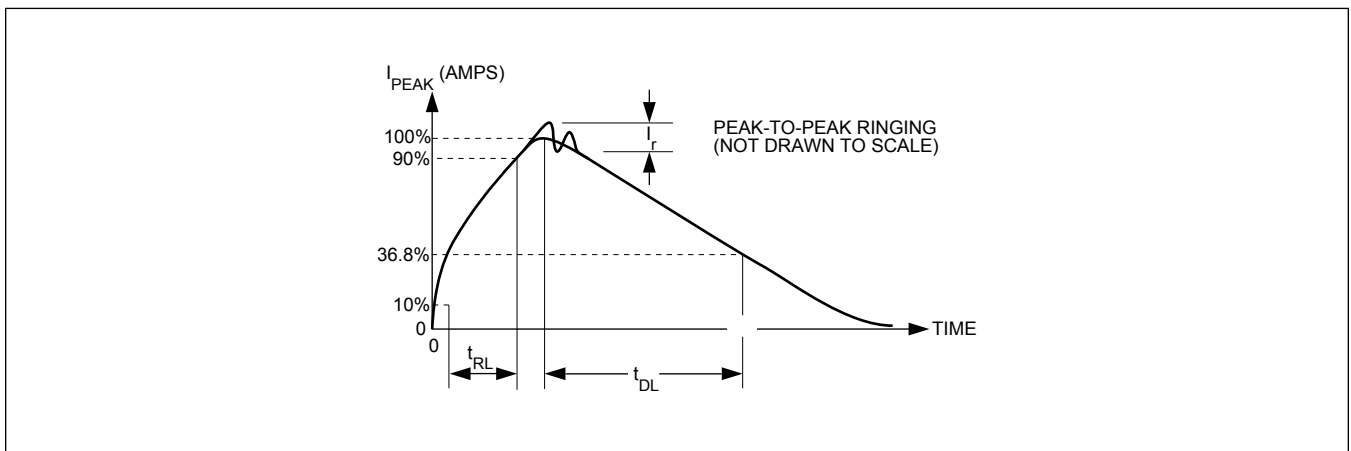


Figure 16. Human Body Current Waveform

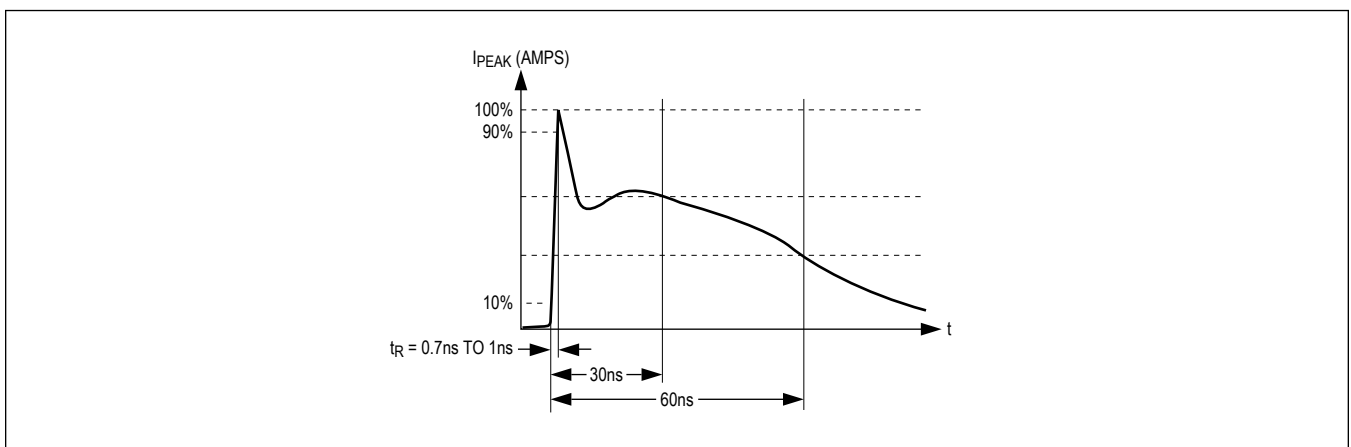
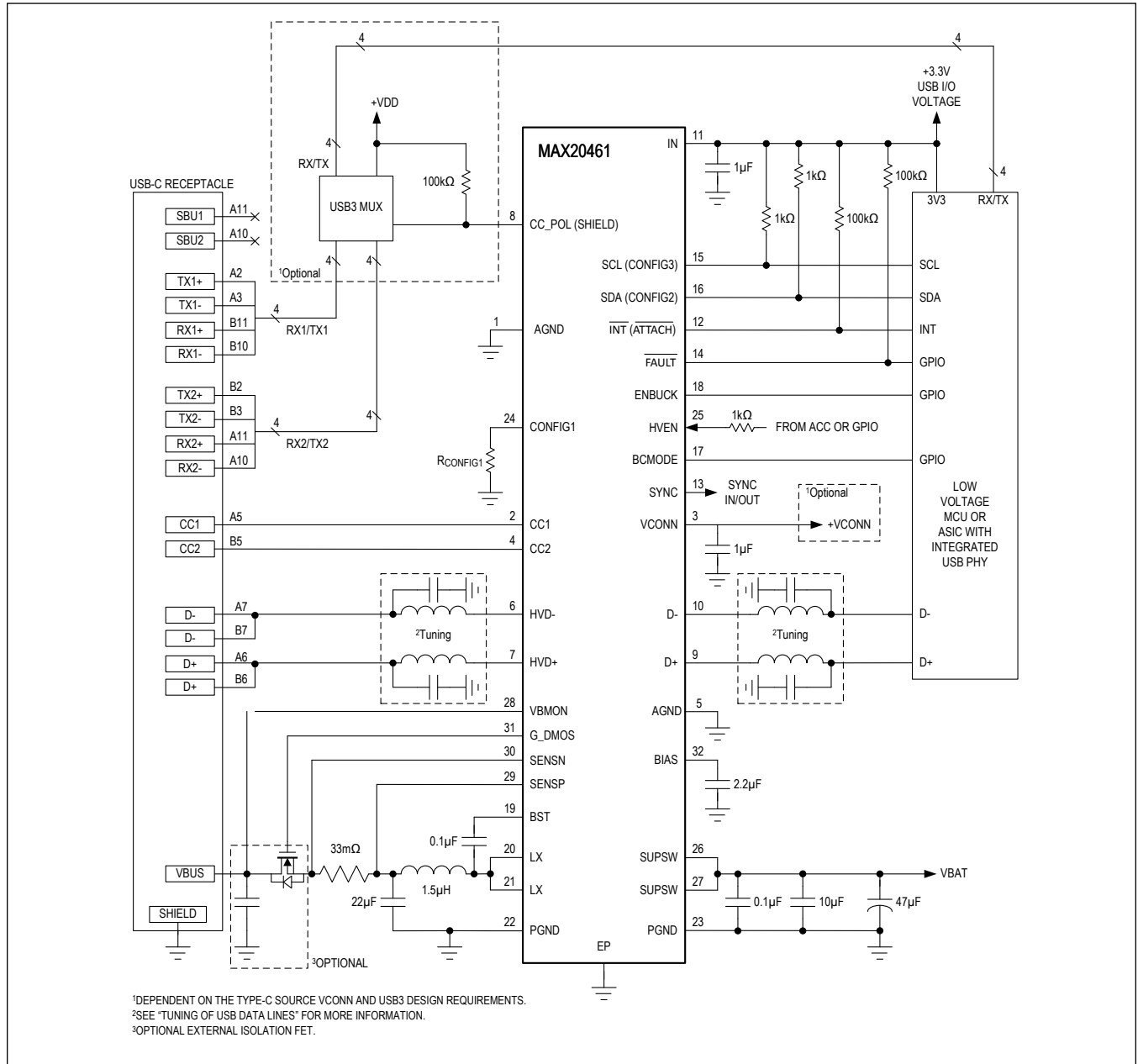


Figure 17. IEC 61000-4-2 Current Waveform

Typical Application Circuits

Typical Application Circuit



Ordering Information

PART NUMBER	TEMP RANGE	PIN-PACKAGE	STARTUP MODE (BCMODE PIN = 0)	I ² C	V _{CONN}
MAX20461ATJA/V+	-40°C to +125°C	32 TQFN-EP*	SDP Mode	Yes	Yes
MAX20461ATJD/V+				No	
MAX20461AATJA/V+				Yes	No
MAX20461AATJD/V+				No	

/V Denotes Automotive Qualified Parts

+ Denotes a lead(Pb)-free/RoHS-compliant package.

* Denotes Exposed Pad.

Revision History

REVISION NUMBER	REVISION DATE	DESCRIPTION	PAGES CHANGED
0	7/18	Initial release	—
1	8/18	Updated <i>General Description</i> , <i>Simplified Block Diagram</i> , <i>Absolute Maximum Ratings</i> , <i>Package Information</i> , TOCs 4, 7–10, 13, 17, 18, 25, <i>Pin Configuration</i> , <i>Pin Description</i> , Figure 1, <i>CC Attachment and VBUS Discharge diagram</i> , <i>Detailed Description</i> , <i>USB Type-C</i> , <i>VCONN</i> , Figure 2, <i>VBUS</i> , <i>External FET Gate Drive (G_DMOS Pin)</i> , <i>System Enable (HVEN)</i> , <i>Linear Regulator Output (BIAS)</i> , <i>Maximum Duty-Cycle Operation</i> , <i>Reset Behavior</i> , <i>Output Short-Circuit Protection</i> , Figure 3, <i>USB Host Adapter Emulator</i> , <i>I2C Configuration (CONFIG1 and I2C)</i> , <i>I2C Diagnostics and Event Handling</i> , <i>Interrupt and Attach Output (INT(ATTACH))</i> , <i>Fault Output Pin (FAULT)</i> , Table 11, <i>Register Map</i> , <i>SETUP_3 (0x3)</i> , <i>SETUP_4 (0x04)</i> , <i>CC_REQUEST (0x06)</i> , <i>IRQ_MASK_0 (0x07)</i> , <i>IRQ_0 (0xA)</i> , <i>STATUS_0 (0xD)</i> , <i>STATUS_1 (0xE)</i> , <i>DC-DC Input Capacitor Selection</i> , <i>DC-DC Output Capacitor Selection</i> , <i>USB Voltage Adjustment</i> , <i>Tuning of USB Data Lines</i> , Figure 9, Figure 10, <i>Typical Application Circuit</i> , and <i>Ordering Information</i> .	1, 21, 23, 25, 26, 27, 29–31, 33, 35, 38–41, 44, 45, 46, 48, 49, 52, 53, 55, 57, 60, 61
2	4/20	Updated <i>General Description</i> , <i>Benefits and Features</i> , <i>Absolute Maximum Ratings</i> , <i>Package Information</i> , <i>Electrical Characteristics</i> , <i>Typical Operating Characteristics</i> , <i>Functional Diagrams</i> , <i>Detailed Description</i> , <i>Register Details</i> , and <i>Applications Information</i> .	1, 6, 7, 9, 10, 12, 14, 15, 19, 21, 27–30, 38, 41, 44, 51, 57
3	6/20	Added MAX20461A. Updated <i>Benefits and Features</i> , <i>Simplified Block Diagram</i> , <i>Absolute Maximum Ratings</i> , <i>Electrical Characteristics</i> , <i>Pin Configuration</i> , <i>Pin Description</i> , <i>DCP Reset Behavior and Timing Diagram</i> , <i>ENBUCK Reset Behavior and Timing Diagram</i> , <i>ATTACH Logic Diagram</i> , <i>CC Attachment and VBUS Discharge</i> , <i>Detailed Block Diagram</i> , <i>CC Pulldown Response</i> , <i>VCONN</i> , <i>External FET Gate Drive (G_DMOS Pin)</i> , <i>Power-On Sequencing</i> , <i>Switching Frequency Configuration</i> , <i>Switching Frequency Synchronization (SYNC Pin)</i> , <i>CONFIG2 and CONFIG3 Pin Table (Standalone Variants)</i> , <i>Fault Conditions</i> , <i>SYNC_DIR bit</i> , <i>SS_EN bit</i> , <i>CD bit</i> , <i>Ordering Information</i> .	1–63
4	12/20	Updated USB Type-C functionality to meet latest specifications (search for t_{DIS_DET}). Improved SYNC pin logic for multi-port applications (search for SYNC). Expanded design methods for overcurrent flexibility (search for $I_{LOAD(MAX)}$).	1–65

For pricing, delivery, and ordering information, please visit Maxim Integrated's online storefront at <https://www.maximintegrated.com/en/storefront/storefront.html>.

Maxim Integrated cannot assume responsibility for use of any circuitry other than circuitry entirely embodied in a Maxim Integrated product. No circuit patent licenses are implied. Maxim Integrated reserves the right to change the circuitry and specifications without notice at any time. The parametric values (min and max limits) shown in the Electrical Characteristics table are guaranteed. Other parametric values quoted in this data sheet are provided for guidance.