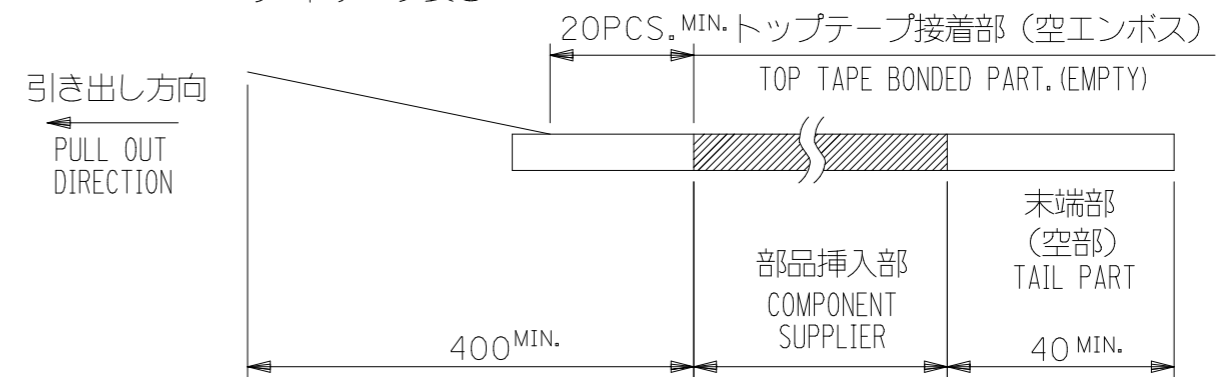


NOTES

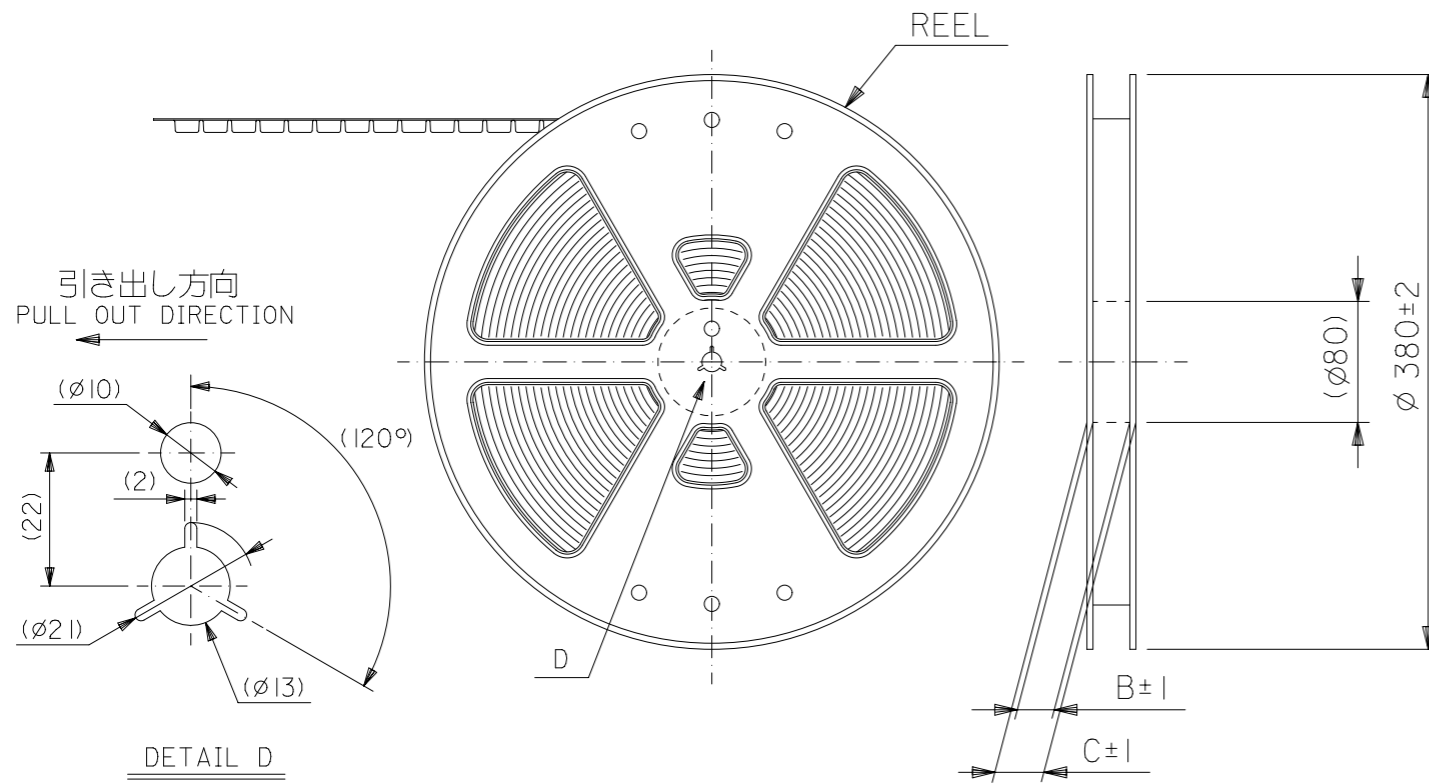
- 製品詳細寸法については製品単体図面を参照下さい。
DETAIL DIMENSIONS, SEE PRODUCT DRAWING.
- 梱包数量：2500個/リール
NUMBER OF CONNECTORS : 2500PCS/REEL
- リードテープ長さ LEAD TAPE LENGTH



- 材料 MATERIAL
キャリアテープ (CARRIER TAPE) : POLYSTYRENE (PS)
トップテープ (TOPTAPE) : PET
リール (REEL) : ポリスチレン (PS) <リサイクル材を含む>
POLYSTYRENE (PS) <RECYCLE MATERIAL CONTAINED>

- ELV 及び RoHS 適合品。
ELV AND RoHS COMPLIANT.

6. THIS DRAWING IS RE-DRAWING OF SD-55909-004 REV.J

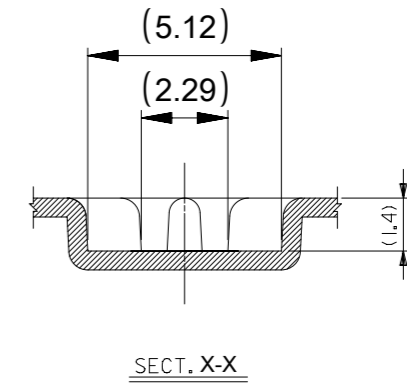
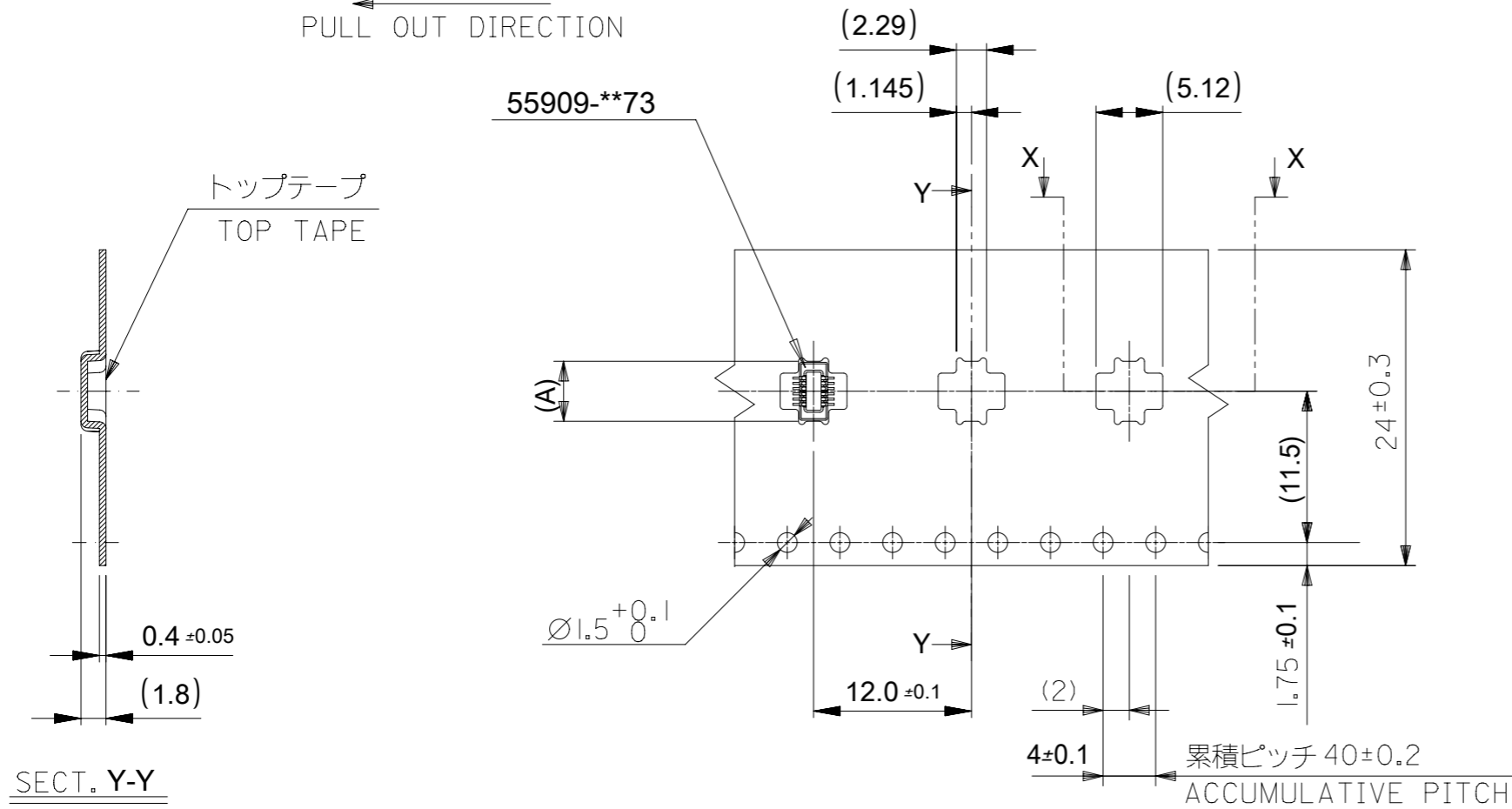


DETAIL D

CONNECTOR SERIES No. 55909-**73

THIS DRAWING CONTAINS INFORMATION THAT IS PROPRIETARY TO MOLEX ELECTRONIC TECHNOLOGIES, LLC AND SHOULD NOT BE USED WITHOUT WRITTEN PERMISSION		CURRENT REV DESC:		molex		
DIMENSION UNITS	SCALE					
mm	NTS			PRODUCT CUSTOMER DRAWING		
GENERAL TOLERANCES (UNLESS SPECIFIED)		EC NO: 638555		DOCUMENT NUMBER		
ANGULAR TOL ± 1.0°		DRWN: BKBAE 2020/05/15		559090074		
4 PLACES ± 0.1		CHK'D: SHCHU 2020/05/29		DOC TYPE DOC PART REVISION		
3 PLACES ± 0.1		APPR: SHCHU 2020/06/01		PSD 000 B		
2 PLACES ± 0.1		INITIAL REVISION:		MATERIAL NUMBER		
1 PLACE ± 0.1		DRWN: JHCHANG 2017/11/13		CUSTOMER		
0 PLACES ± 0.1		APPR: YSKIM02 2018/10/09		GENERAL		
DRAFT WHERE APPLICABLE MUST REMAIN WITHIN DIMENSIONS		THIRD ANGLE PROJECTION	DRAWING	SERIES	MATERIAL NUMBER	SHEET NUMBER
			A3-SIZE	55909	SEE CHART	1 OF 5

引き出し方向
PULL OUT DIRECTION

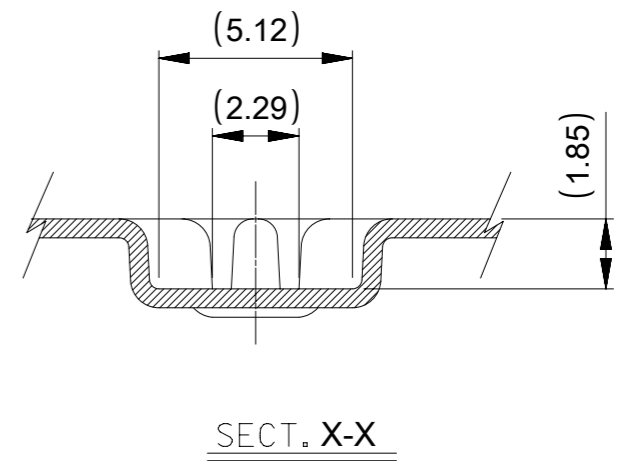
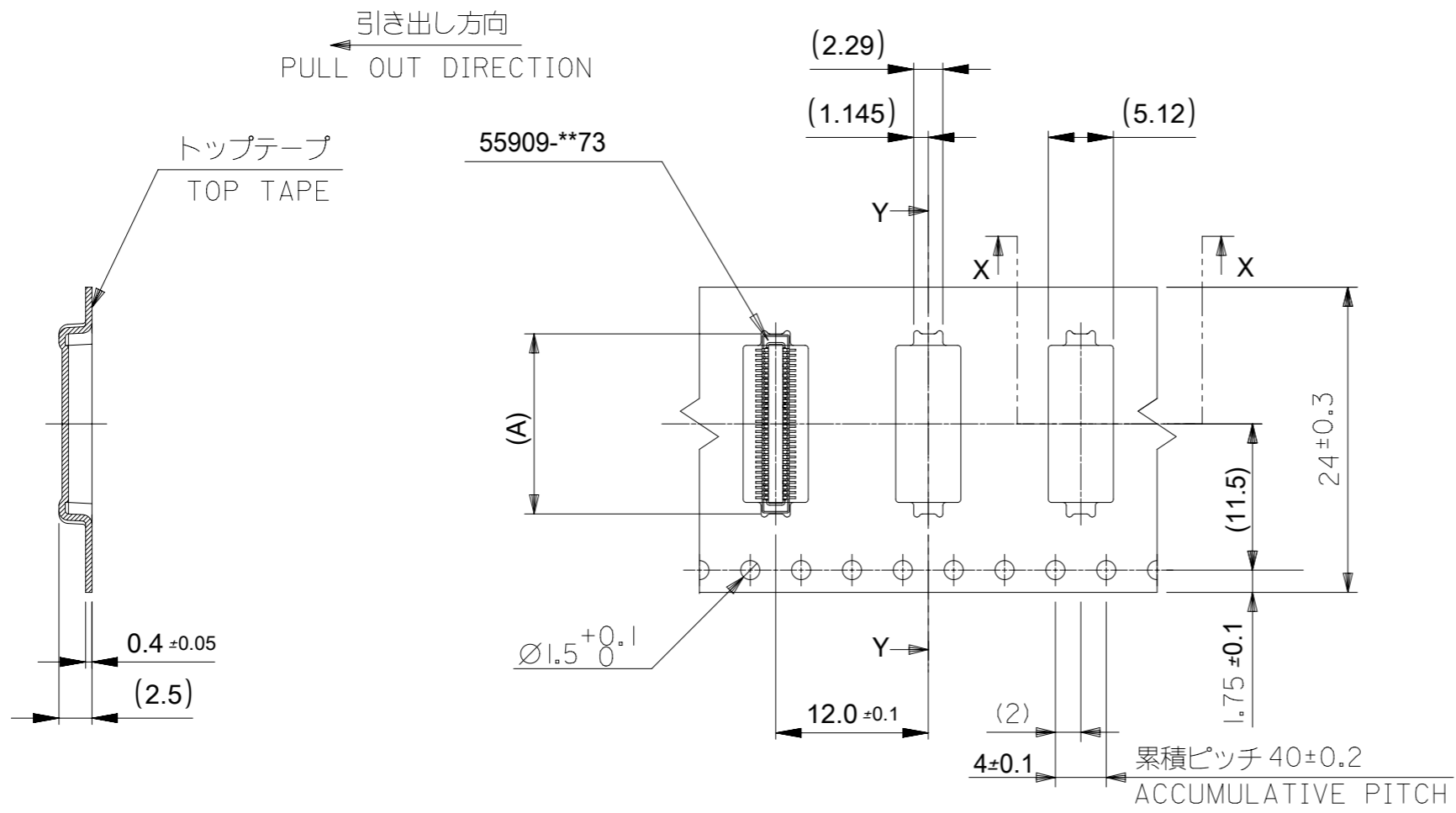


注記)製品がポケット内に問題なく収まること。
NOTE. Pocket should contain product smoothly.

24	29.4	25.4	5.36	55909-1674	16
			4.56	55909-9974	12
			4.16	55909-9872	10
キャリアテープ幅 CARRIER TAPE WIDTH	C	B	(A)	MATERIAL NO.	CKT.

CONNECTOR SERIES No. 55909-**73

THIS DRAWING CONTAINS INFORMATION THAT IS PROPRIETARY TO MOLEX ELECTRONIC TECHNOLOGIES, LLC AND SHOULD NOT BE USED WITHOUT WRITTEN PERMISSION		CURRENT REV DESC:		molex		
DIMENSION UNITS	SCALE					
mm	NTS			0.4 B-TO-B CONN. H = 1.5 / 1.8 J-BEND PLUG		
GENERAL TOLERANCES (UNLESS SPECIFIED)				PRODUCT CUSTOMER DRAWING		
ANGULAR TOL	± 1.0 °			DOCUMENT NUMBER		
4 PLACES	± 0.1	EC NO: 638555		559090074		
3 PLACES	± 0.1	DRWN: BKBAE 2020/05/15		DOC TYPE		
2 PLACES	± 0.1	CHK'D: SHCHU 2020/05/29		PSD		
1 PLACE	± 0.1	APPR: SHCHU 2020/06/01		DOC PART		
0 PLACES	± 0.1	INITIAL REVISION:		000		
DRAFT WHERE APPLICABLE MUST REMAIN WITHIN DIMENSIONS		DRWN: JHCHANG 2017/11/13		REVISION		
THIRD ANGLE PROJECTION		APPR: YSKIM02 2018/10/09		B		
DRAWING		SERIES		SHEET NUMBER		
A3-SIZE		55909		2 OF 5		
MATERIAL NUMBER		CUSTOMER				
SEE CHART		GENERAL				



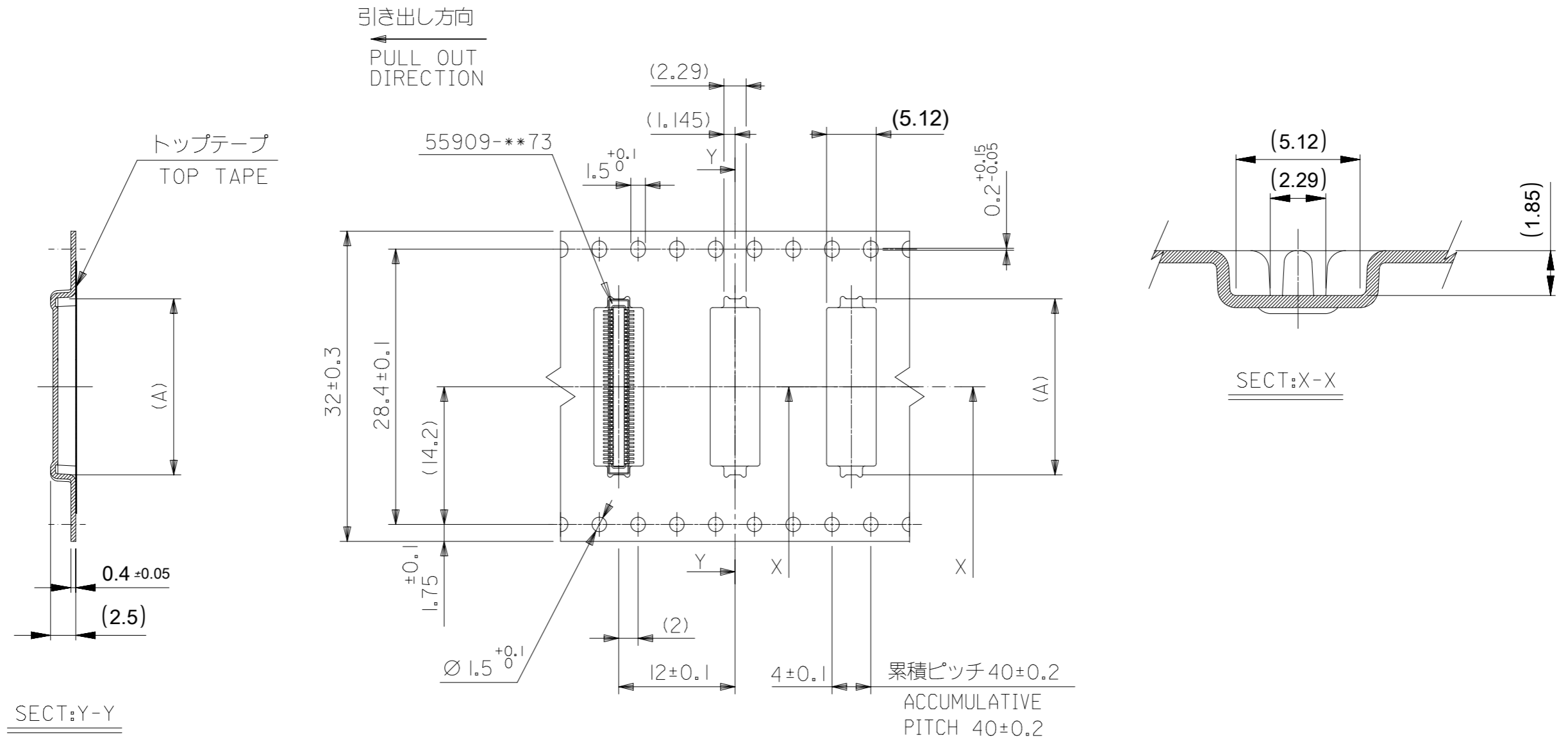
SECT. Y-Y

注記)製品がポケット内に問題なく収まること。
NOTE. Pocket should contain product smoothly.

24	29.4	25.4	14.96	55909-6472	64		
			14.16	55909-0674	60		
			12.96	55909-5472	54		
			12.16	55909-0574	50		
			10.96	55909-4472	44		
			10.16	55909-0474	40		
			8.96	55909-3474	34		
			8.16	55909-0374	30		
			7.36	55909-2674	26		
			6.96	55909-2474	24		
			6.56	55909-2274	22		
6.16	55909-0274	20					
キャリアテープ幅 CARRIER TAPE WIDTH			C	B	(A)	MATERIAL NO.	CKT.

CONNECTOR SERIES No. 55909-**73

THIS DRAWING CONTAINS INFORMATION THAT IS PROPRIETARY TO MOLEX ELECTRONIC TECHNOLOGIES, LLC AND SHOULD NOT BE USED WITHOUT WRITTEN PERMISSION		CURRENT REV DESC:		molex	
DIMENSION UNITS	SCALE				
mm	NTS			0.4 B-TO-B CONN. H = 1.5 / 1.8 J-BEND PLUG	
GENERAL TOLERANCES (UNLESS SPECIFIED)				PRODUCT CUSTOMER DRAWING	
ANGULAR TOL	± 1.0 °			DOCUMENT NUMBER	
4 PLACES	± 0.1	EC NO: 638555		559090074	
3 PLACES	± 0.1	DRWN: BKBAE 2020/05/15		DOC TYPE	DOC PART
2 PLACES	± 0.1	CHK'D: SHCHU 2020/05/29		PSD	000
1 PLACE	± 0.1	APPR: SHCHU 2020/06/01		REVISION	B
0 PLACES	± 0.1	INITIAL REVISION:			
DRAFT WHERE APPLICABLE MUST REMAIN WITHIN DIMENSIONS		THIRD ANGLE PROJECTION	DRAWING	SERIES	MATERIAL NUMBER
			A3-SIZE	55909	SEE CHART
				CUSTOMER	SHEET NUMBER
				GENERAL	3 OF 5



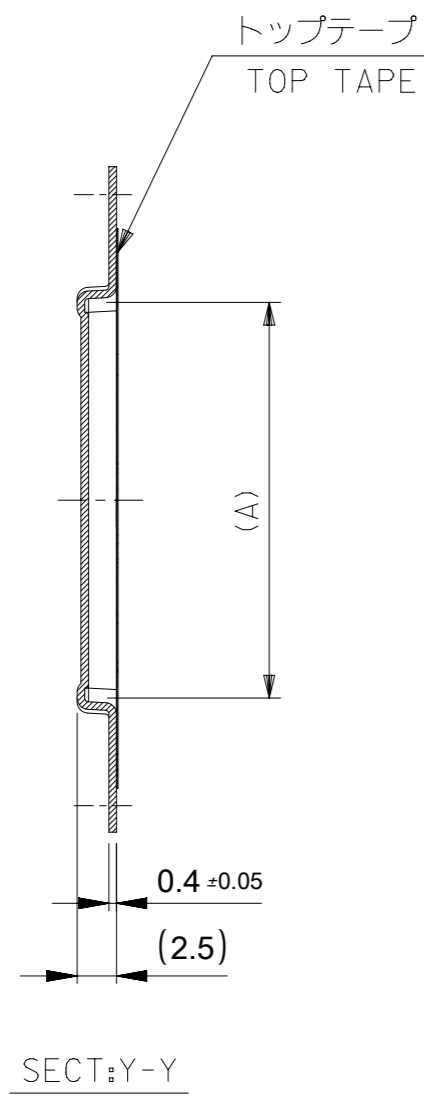
32mm幅キャリアテープ
32mm WIDTH CARRIER TAPE

注記)製品がポケット内に問題なく収まること。
NOTE. Pocket should contain product smoothly.

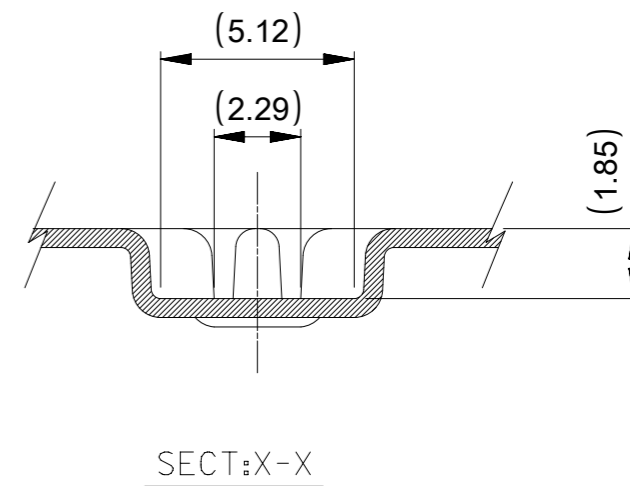
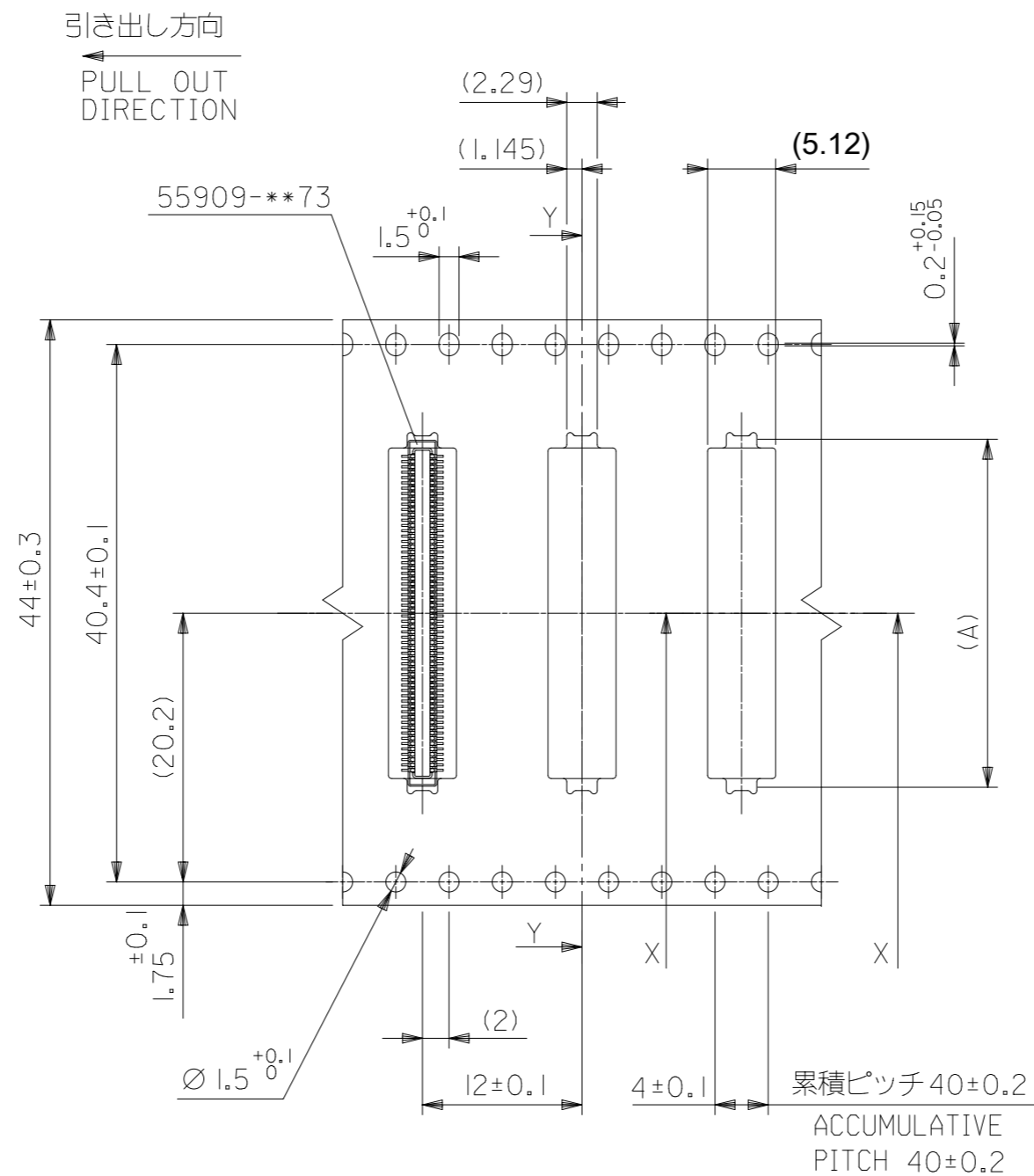
32	37.4	33.4	19.16	55909-0974	90
			18.16	55909-0874	80
			16.16	55909-0774	70
キャリアテープ幅 CARRIER TAPE WIDTH	C	B	(A)	MATERIAL NO.	極数 CKT.

CONNECTOR SERIES No. 55909-**-73

THIS DRAWING CONTAINS INFORMATION THAT IS PROPRIETARY TO MOLEX ELECTRONIC TECHNOLOGIES, LLC AND SHOULD NOT BE USED WITHOUT WRITTEN PERMISSION		CURRENT REV DESC:		molex		
DIMENSION UNITS	SCALE					
mm	NTS			PRODUCT CUSTOMER DRAWING		
GENERAL TOLERANCES (UNLESS SPECIFIED)		EC NO: 638555		DOCUMENT NUMBER		
ANGULAR TOL ± 1.0°		DRWN: BKBAE 2020/05/15		559090074		
4 PLACES ± 0.1		CHK'D: SHCHU 2020/05/29		DOC TYPE DOC PART REVISION		
3 PLACES ± 0.1		APPR: SHCHU 2020/06/01		PSD 000 B		
2 PLACES ± 0.1		INITIAL REVISION:		MATERIAL NUMBER CUSTOMER SHEET NUMBER		
1 PLACE ± 0.1		DRWN: JHCHANG 2017/11/13		SEE CHART GENERAL 4 OF 5		
0 PLACES ± 0.1		APPR: YSKIM02 2018/10/09				
DRAFT WHERE APPLICABLE MUST REMAIN WITHIN DIMENSIONS		THIRD ANGLE PROJECTION	DRAWING	SERIES		
			A3-SIZE	55909		



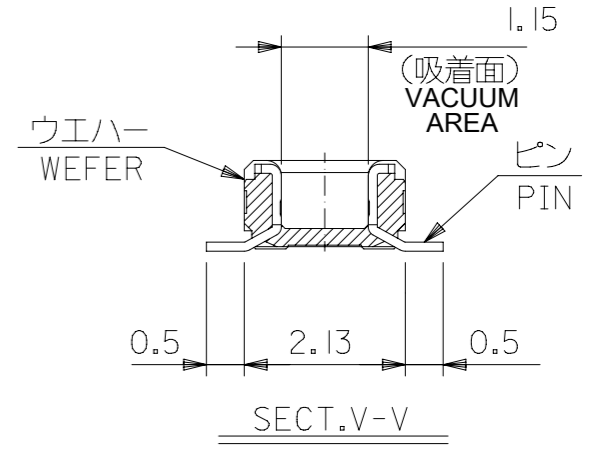
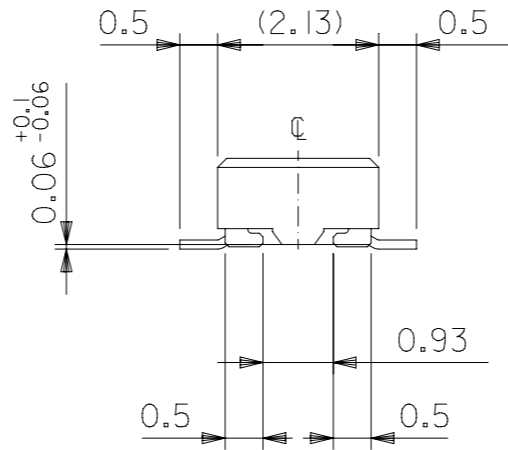
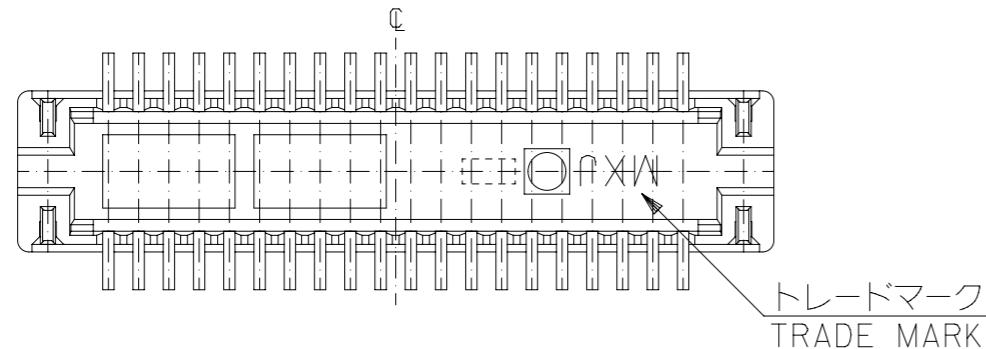
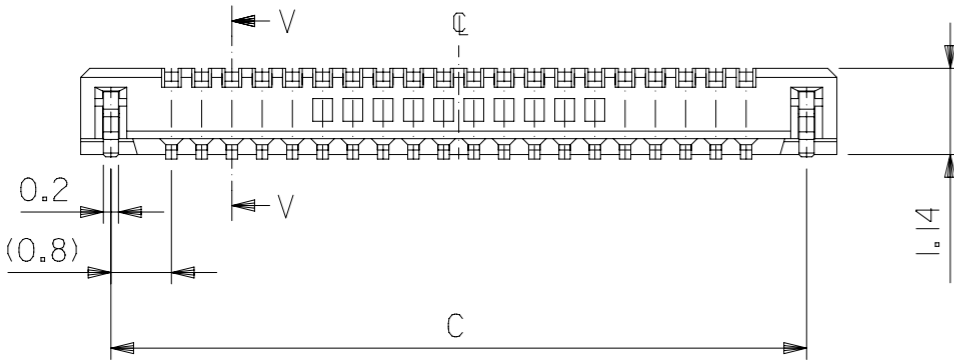
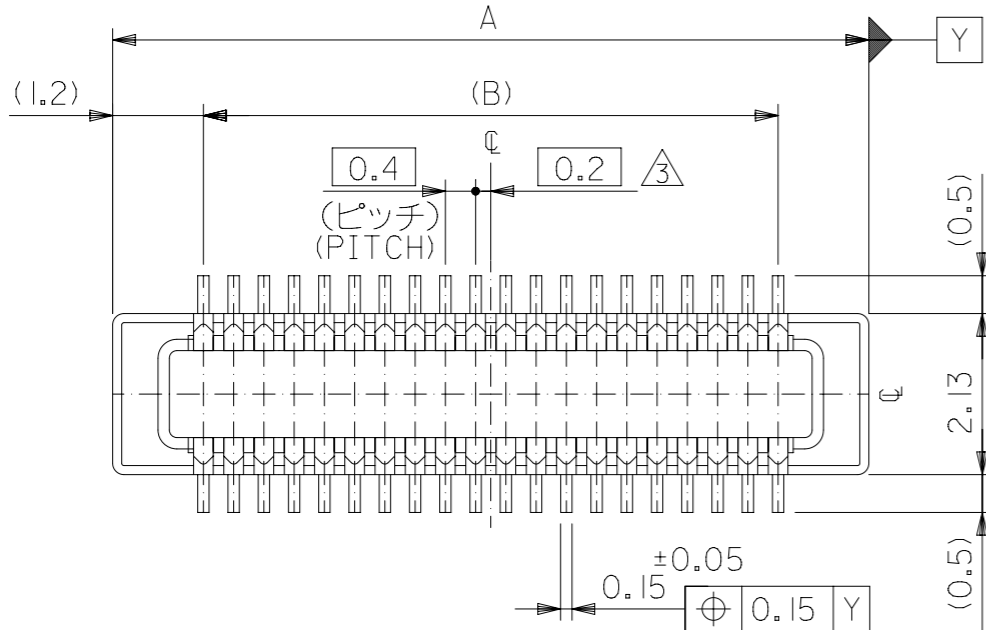
44mm幅キャリアテープ
44mm WIDTH CARRIER TAPE



注記)製品がポケット内に問題なく収まること。
NOTE: Pocket should contain product smoothly.

44	49.4	45.4	22.16	55909-1074	100
キャリアテープ幅 CARRIER TAPE WIDTH	C	B	(A)	MATERIAL NO.	極数 CKT.
CONNECTOR SERIES No.55909-***73					

THIS DRAWING CONTAINS INFORMATION THAT IS PROPRIETARY TO MOLEX ELECTRONIC TECHNOLOGIES, LLC AND SHOULD NOT BE USED WITHOUT WRITTEN PERMISSION		CURRENT REV DESC:		molex	
DIMENSION UNITS	SCALE				
mm	NTS			0.4 B-TO-B CONN. H = 1.5 / 1.8 J-BEND PLUG	
GENERAL TOLERANCES (UNLESS SPECIFIED)				PRODUCT CUSTOMER DRAWING	
ANGULAR TOL	± 1.0 °				
4 PLACES	± 0.1				
3 PLACES	± 0.1				
2 PLACES	± 0.1				
1 PLACE	± 0.1				
0 PLACES	± 0.1				
DRAFT WHERE APPLICABLE MUST REMAIN WITHIN DIMENSIONS		THIRD ANGLE PROJECTION	DRAWING	SERIES	MATERIAL NUMBER
			A3-SIZE	55909	SEE CHART
				CUSTOMER	SHEET NUMBER
				GENERAL	5 OF 5



注記 NOTES:

1. 使用材料 MATERIAL
 ウエハー：液晶ポリマー (LCP) ガラス充填 UL94V-0 (黒)
 WAFER: LIQUID CRYSTAL POLYMER (GLASS FILLED)
 UL94V-0 (COLOR: BLACK)
 ピン：黄銅 (t=0.12)
 PIN: BRASS (t=0.12)
 金具：リン青銅 (t=0.2)
 FITTING NAIL: PHOSPHOR BRONZE (t=0.2)
2. メッキ仕様 PLATING
 ピン PIN
 金メッキ 0.2 マイクロメートル以上 (コンタクト部)
 GOLD 0.2 MICROMETER MINIMUM (CONTACT AREA)
 金メッキ 0.4 マイクロメートル以下 (テール部)
 GOLD 0.4 MICROMETER MAXIMUM (TAIL AREA)
 下地メッキ：ニッケルメッキ 1.5 マイクロメートル以上
 UNDER PLATING : NICKEL 1.5 MICROMETER MINIMUM
- 金具 FITTING NAIL
 錫メッキ 1.0 マイクロメートル以上
 TIN PLATING 1.0 MICROMETER MINIMUM
 下地メッキ：ニッケルメッキ 1.0 マイクロメートル以上
 UNDER PLATING : NICKEL 1.0 MICROMETER MINIMUM

③ (全極数/2) = 偶数の場合に適用。
 APPLY FOR (CIRCUIT/2) = EVEN.

4. 嵌合相手 :51338シリーズ (嵌合高さ = 1.5mm) 及び
 500913シリーズ (嵌合高さ = 1.8mm)
 MATE WITH :51338 SERIES (HEIGHT = 1.5mm) AND
 500913 SERIES (HEIGHT = 1.8mm)
5. テール平坦度は、0.08以下
 テール及び金具の平坦度は、0.1以下
 TAIL COPLANARITY TO BE 0.08 MAXIMUM
 TAIL AND FITTING NAIL
 COPLANARITY TO BE 0.1 MAXIMUM
6. 本製品は 55909-***3 の鉛フリー品である。
 THIS PRODUCT IS LEAD FREE OF 55909-***3

21.2	19.6	22.0	55909-1074	100
19.2	17.6	20.0	55909-0974	90
17.2	15.6	18.0	55909-0874	80
15.2	13.6	16.0	55909-0774	70
14.0	12.4	14.8	55909-6472	64
13.2	11.6	14.0	55909-0674	60
12.0	10.4	12.8	55909-5472	54
11.2	9.6	12.0	55909-0574	50
10.0	8.4	10.8	55909-4472	44
9.2	7.6	10.0	55909-0474	40
8.0	6.4	8.8	55909-3474	34
7.2	5.6	8.0	55909-0374	30
6.4	4.8	7.2	55909-2674	26
6.0	4.4	6.8	55909-2474	24
5.6	4.0	6.4	55909-2274	22
5.2	3.6	6.0	55909-0274	20
4.4	2.8	5.2	55909-1674	16
3.6	2.0	4.4	55909-9974	12
3.2	1.6	4.0	55909-9872	10
C	B	A	EMBOSSED TAPE PKG.	CKT.
CONNECTOR SERIES NO.			ORDER No. オーダー番号	
			55909-***73	

GENERAL TOLERANCES (UNLESS SPECIFIED)	
10 UNDER	±0.2
10 OVER 30 UNDER	±0.25
30 OVER	±0.3

THIS DRAWING CONTAINS INFORMATION THAT IS PROPRIETARY TO MOLEX ELECTRONIC TECHNOLOGIES, LLC AND SHOULD NOT BE USED WITHOUT WRITTEN PERMISSION

DIMENSION UNITS	SCALE	CURRENT REV DESC:	
mm	NTS		
GENERAL TOLERANCES (UNLESS SPECIFIED)			
ANGULAR TOL	± 3.0°		
4 PLACES	±	EC NO: 739909	
3 PLACES	±	DRWN: RAJMOK	2023/02/21
2 PLACES	±	CHK'D: HSHIMOYAMA	2023/02/23
1 PLACE	±	APPR: YNAITO	2023/02/23
0 PLACES	±	INITIAL REVISION:	
DRAFT WHERE APPLICABLE MUST REMAIN WITHIN DIMENSIONS		DRWN: HSHIMABUKURO	2004/03/31
		APPR: MSASAO	2004/04/02
THIRD ANGLE PROJECTION	DRAWING	SERIES	MATERIAL NUMBER
	A3-SIZE	55909	SEE TABLE
		CUSTOMER	SHEET NUMBER
		GENERAL MARKET	1 OF 2

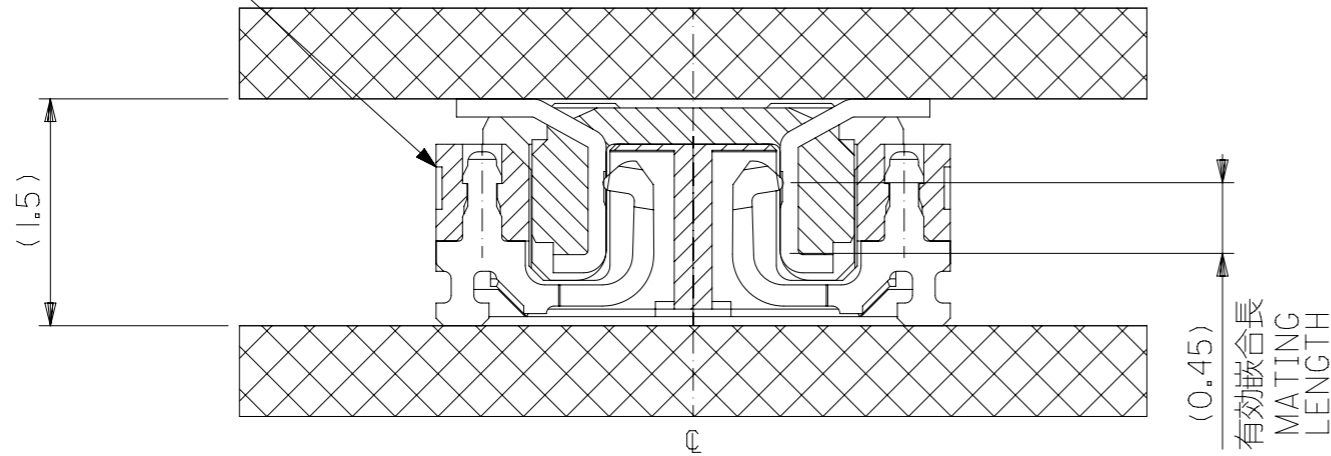
0.4 B-TO-B CONN. H = 1.5 / 1.8 J-BEND PLUG

PRODUCT CUSTOMER DRAWING

DOCUMENT NUMBER: SD-55909-003 DOC TYPE: PSD DOC PART: 001 REVISION: J

MATE : 55909 WITH 51338

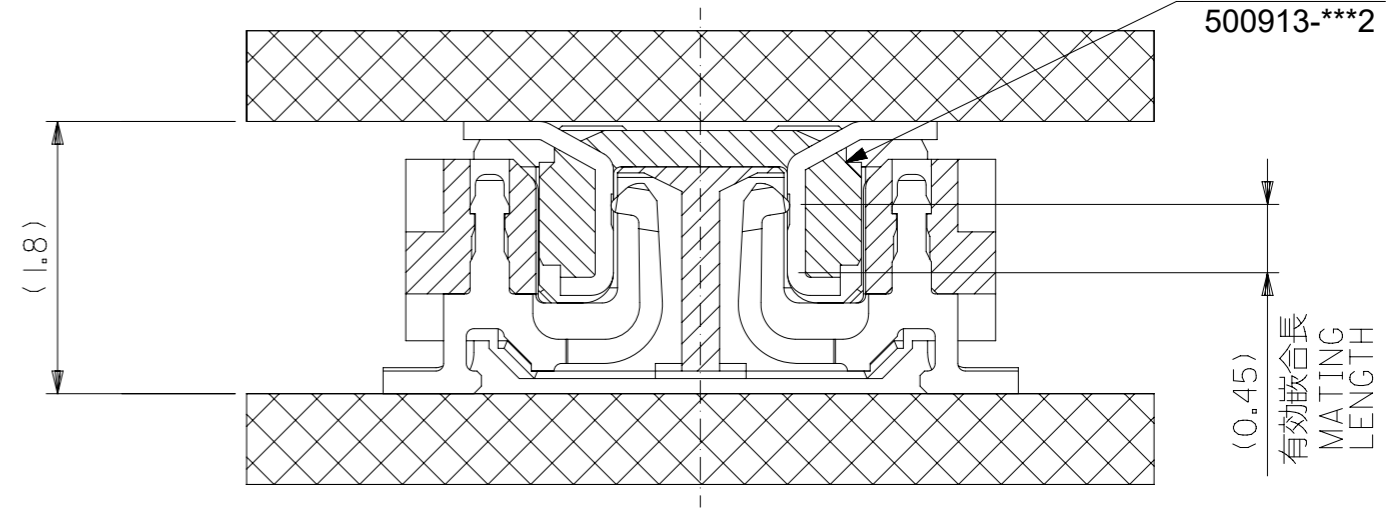
嵌合相手
MATE WITH
51338-****



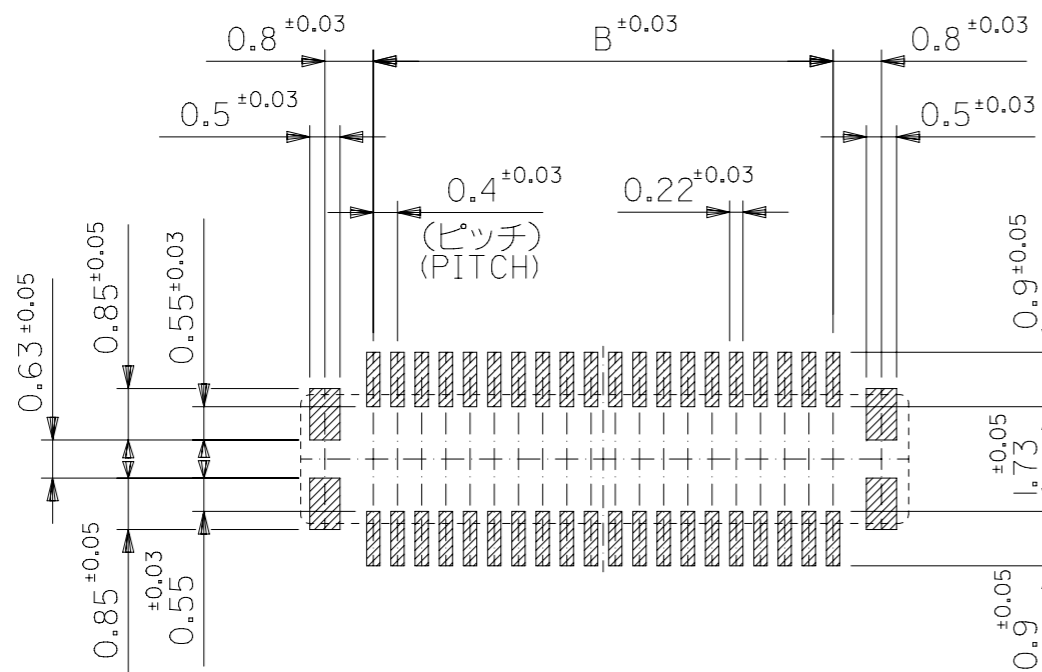
嵌合断面図 (参考)
MATED DRAWING (REFERENCE)

MATE : 55909 WITH 500913

嵌合相手
MATE WITH
500913-***2



嵌合断面図 (参考)
MATED DRAWING (REFERENCE)



参考基板レイアウト (マウント面)
P.C. BOARD PATTERN DIMENSION.
(REFERENCE)
(MOUNTING AREA)

GENERAL TOLERANCES (UNLESS SPECIFIED)

10 ^{UNDER}	±0.2
10 ^{OVER} 30 ^{UNDER}	±0.25
30 ^{OVER}	±0.3

THIS DRAWING CONTAINS INFORMATION THAT IS PROPRIETARY TO MOLEX ELECTRONIC TECHNOLOGIES, LLC AND SHOULD NOT BE USED WITHOUT WRITTEN PERMISSION		CURRENT REV DESC:		molex	
DIMENSION UNITS	SCALE				
mm	NTS			0.4 B-TO-B CONN. H = 1.5 / 1.8 J-BEND PLUG	
GENERAL TOLERANCES (UNLESS SPECIFIED)				PRODUCT CUSTOMER DRAWING	
ANGULAR TOL ± 3.0°				DOCUMENT NUMBER	
4 PLACES ±		EC NO: 739909		SD-55909-003	
3 PLACES ±		DRWN: RAJMOK		DOC TYPE	
2 PLACES ±		CHK'D: HSHIMOYAMA		PSD	
1 PLACE ±		APPR: YNAITO		DOC PART	
0 PLACES ±		INITIAL REVISION:		001	
DRAFT WHERE APPLICABLE MUST REMAIN WITHIN DIMENSIONS		DRWN: HSHIMABUKURO		J	
THIRD ANGLE PROJECTION		APPR: MSASAO		REVISION	
DRAWING		SERIES		SHEET NUMBER	
A3-SIZE		55909		2 OF 2	
MATERIAL NUMBER		CUSTOMER			
SEE SHEET-1		GENERAL MARKET			