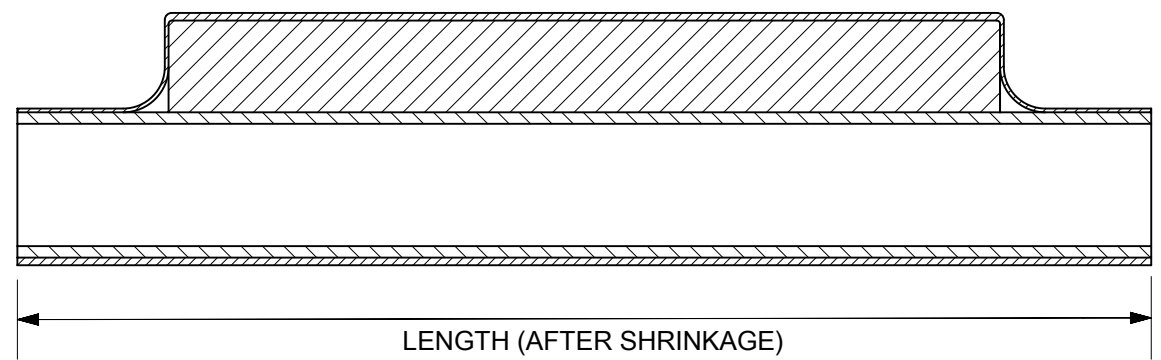
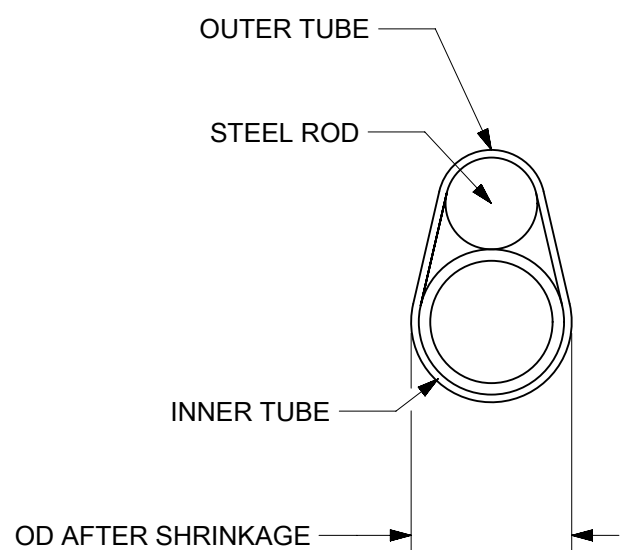
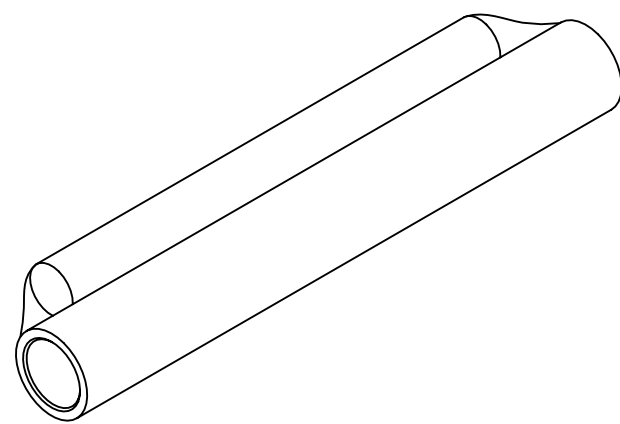


| ITEM | MOLEX P/N | OUTER TUBE (AFTER SHRINKAGE) | |
|------|------------|------------------------------|--------|
| | | OD | LENGTH |
| 1. | 1069200000 | 2.3±0.1 | 40±0.1 |
| 2. | 1069200001 | 2.4±0.1 | 45±0.1 |
| 3. | 1069200002 | 2.6±0.1 | 60±0.1 |



NOTE:
1. THE PACKAGE METHOD PER MOLEX STANDARD.

| | | | | | | | |
|--|---|--|--------------------------|-----------------|----------|--|----------------|
| FUNCTIONAL SYMBOLS FA = 0 FE = 0 FE = 0 | THIS DRAWING CONTAINS INFORMATION THAT IS PROPRIETARY TO MOLEX ELECTRONIC TECHNOLOGIES, LLC AND SHOULD NOT BE USED WITHOUT WRITTEN PERMISSION | | | | | | |
| | DIMENSION UNITS | SCALE | | | | EC NO: 729937 DRWN: PAWANC 2022/11/25 CHKD: NCHEN08 2022/11/27 APPR: NCHEN08 2022/11/27 | |
| | GENERAL TOLERANCES (UNLESS SPECIFIED) | | PRODUCT CUSTOMER DRAWING | | | | |
| | ANGULAR TOL ± 0.5° | | INITIAL REVISION: | | | | |
| DIVISIONAL SYMBOLS | 4 PLACES ± | DRWN: PAWANC 2022/10/03 | | DOCUMENT NUMBER | DOC TYPE | DOC PART | REVISION |
| | 3 PLACES ± | APPR: NCHEN08 2022/10/13 | | 1069200000 | PSD | 000 | A1 |
| | 2 PLACES ± | DRAFT WHERE APPLICABLE MUST REMAIN WITHIN DIMENSIONS | | MATERIAL NUMBER | CUSTOMER | | SHEET NUMBER |
| | 1 PLACE ± | THIRD ANGLE PROJECTION | | B-SIZE | 106920 | 106920 | GENERAL MARKET |
| | 0 PLACES ± | DRAWING | | SERIES | CUSTOMER | | 1 OF 1 |