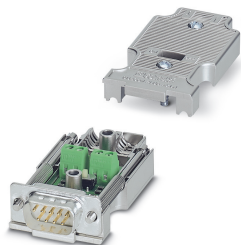


D-SUB bus connector - SUBCON-PLUS-PROFIB/AX/SC - 2744380

Please be informed that the data shown in this PDF Document is generated from our Online Catalog. Please find the complete data in the user's documentation. Our General Terms of Use for Downloads are valid (<http://phoenixcontact.com/download>)



D-SUB connector, 9-pos., male connector, axial version with two cable entries, bus system: PROFIBUS DP up to 12 Mbps, termination resistor can be switched on via slide switch, pin assignment: 3, 5, 6, 8; screw connection terminal blocks

Product Description

The D-SUB series, SUBCON-PLUS-PROFIB/... was specially designed for use in PROFIBUS systems up to 12 Mbps. Under field conditions, it allows convenient and fast connection of the incoming and outgoing bus cable.


The terminating resistor is already integrated in all versions. It can be connected externally by means of a slide switch. At the same time, the outgoing bus segment is switched off. This makes it easy to start up segment by segment while incorrect terminations are avoided.

Your advantages

- Suitable for all common Fast Connect PROFIBUS cables and RS-485 bus lines



Key Commercial Data

| | |
|----------------------|---|
| Packing unit | 1 pc |
| GTIN |  4 017918 818142 |
| GTIN | 4017918818142 |
| Custom tariff number | 8536901900 |
| Sales Key | DNC531 |

Technical data

Note

| | |
|-------------------------|---|
| Utilization restriction | Use in potentially explosive areas is not permitted in China. |
|-------------------------|---|

Dimensions

| | |
|---------------------|---------|
| Max. cable diameter | 8.4 mm |
| Min. cable diameter | 7.6 mm |
| Width | 17 mm |
| Height | 31.5 mm |
| Length | 58.2 mm |

Ambient conditions

D-SUB bus connector - SUBCON-PLUS-PROFIB/AX/SC - 2744380

Technical data

Ambient conditions

| | |
|---|--|
| Ambient temperature (operation) | -20 °C ... 75 °C |
| Ambient temperature (storage/transport) | -25 °C ... 80 °C |
| Altitude | ≤ 5000 m (For restrictions, see the manufacturer's declaration for altitude operation) |

General

| | |
|-----------------------------|--|
| Nominal voltage U_N | 5 V |
| Nominal current I_N | 100 mA |
| Bus system | PROFIBUS DP |
| Signal | PROFIBUS |
| Insertion/withdrawal cycles | > 200 |
| SUBCON fixing screws | 4-40 UNC |
| Tightening torque | 0.4 Nm |
| Housing material | ABS, metal-plated |
| Pin assignment | 3, 5, 6, 8 |
| MTTF | 6706 Years (SN 29500 standard, temperature 25°C, operating cycle 21%) |
| | 1817 Years (SN 29500 standard, temperature 40°C, operating cycle 34.25%) |
| | 155 Years (SN 29500 standard, temperature 40°C, operating cycle 100%) |

Connection data

| | |
|--|-------------------------------------|
| Connection | D-SUB connection |
| Number of positions | 9 |
| Connection method | D-SUB connector |
| Termination resistor | 390 Ω |
| | 220 Ω |
| | 390 Ω (Can be connected externally) |
| Connection | PCB connection |
| Connection method | Screw connection |
| Conductor cross section flexible min. | 0.14 mm ² |
| Conductor cross section flexible max. | 1 mm ² |
| Conductor cross section solid min. | 0.14 mm ² |
| Conductor cross section solid max. | 1.5 mm ² |
| Min. AWG conductor cross section, flexible | 26 |
| Max. AWG conductor cross section, flexible | 18 |
| Conductor cross section AWG min. | 26 |
| Conductor cross section AWG max. | 16 |
| Stripping length | 5 mm |

Conformance/approvals

| | |
|----------------|-----|
| Designation | EAC |
| Identification | EAC |

D-SUB bus connector - SUBCON-PLUS-PROFIB/AX/SC - 2744380

Technical data

Conformance/approvals

| | |
|-----------------|---|
| Designation | ATEX |
| Identification | # II 3 G Ex nA IIC T4 Gc X |
| Additional text | Please follow the special installation instructions in the documentation! |
| Designation | Corrosive gas test |
| Identification | ISA-S71.04-1985 G3 Harsh Group A |

Standards and Regulations

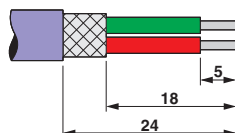
| | |
|---|--|
| Free from substances that could impair the application of coating | according to P-VW 3.10.7 57 65 0 VW-AUDI-Seat central standard |
| Connection in acc. with standard | CUL |

Environmental Product Compliance

| | |
|------------|---|
| REACH SVHC | Lead 7439-92-1 |
| China RoHS | Environmentally Friendly Use Period = 50 years |
| | For details about hazardous substances go to tab "Downloads", Category "Manufacturer's declaration" |

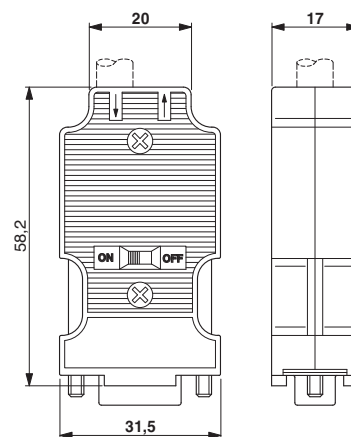
Drawings

Schematic diagram



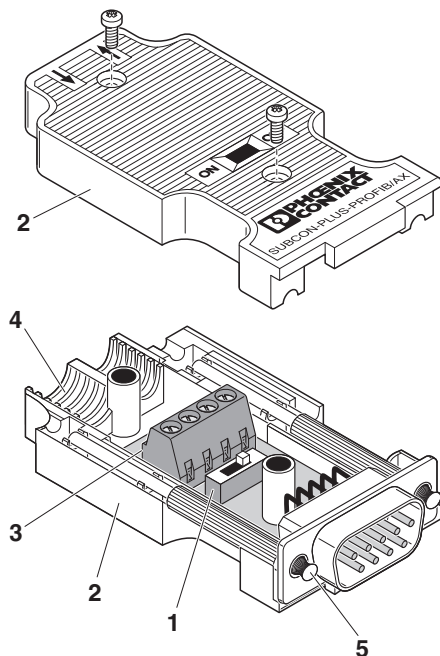
Stripping specifications

Dimensional drawing

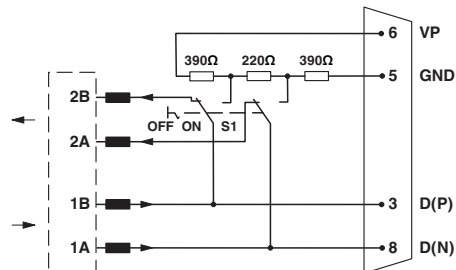


D-SUB bus connector - SUBCON-PLUS-PROFIB/AX/SC - 2744380

Schematic diagram



Circuit diagram



Functional diagram of the connector range SUBCON-PLUS-PROFIB/...

Classifications

eCl@ss

| | |
|---------------|----------|
| eCl@ss 10.0.1 | 27440302 |
| eCl@ss 11.0 | 27440302 |
| eCl@ss 4.0 | 27140800 |
| eCl@ss 4.1 | 27140800 |
| eCl@ss 5.0 | 27143400 |
| eCl@ss 5.1 | 27143400 |
| eCl@ss 6.0 | 27143400 |
| eCl@ss 7.0 | 27440302 |
| eCl@ss 8.0 | 27440302 |
| eCl@ss 9.0 | 27440302 |

ETIM

| | |
|----------|----------|
| ETIM 2.0 | EC001132 |
| ETIM 3.0 | EC001132 |
| ETIM 4.0 | EC001132 |
| ETIM 5.0 | EC001132 |
| ETIM 6.0 | EC001132 |
| ETIM 7.0 | EC001132 |

UNSPSC

| | |
|-------------|----------|
| UNSPSC 6.01 | 30211802 |
|-------------|----------|

D-SUB bus connector - SUBCON-PLUS-PROFIB/AX/SC - 2744380

Classifications

UNSPSC

| | |
|---------------|----------|
| UNSPSC 7.0901 | 39121402 |
| UNSPSC 11 | 39121402 |
| UNSPSC 12.01 | 39121402 |
| UNSPSC 13.2 | 39121522 |
| UNSPSC 18.0 | 39121522 |
| UNSPSC 19.0 | 39121522 |
| UNSPSC 20.0 | 39121522 |
| UNSPSC 21.0 | 39121522 |

Approvals

Approvals

Approvals

CSA / UL Recognized / cUL Recognized / EAC / UL Recognized / CSA / cUL Recognized / EAC / cULus Recognized

Ex Approvals


Approval details

| | | | |
|-----|---|---|---------|
| CSA |  | http://www.csagroup.org/services-industries/product-listing/ | 2437602 |
|-----|---|---|---------|

| | | | |
|---------------|---|---|---------------|
| UL Recognized |  | http://database.ul.com/cgi-bin/XYV/template/LISEXT/1FRAME/index.htm | FILE E 238705 |
|---------------|---|---|---------------|

| | | | |
|----------------|---|---|---------------|
| cUL Recognized |  | http://database.ul.com/cgi-bin/XYV/template/LISEXT/1FRAME/index.htm | FILE E 238705 |
|----------------|---|---|---------------|

| | | | |
|-----|---|--|---------------|
| EAC |  | | EAC-Zulassung |
|-----|---|--|---------------|

| | | | |
|---------------|---|---|---------------|
| UL Recognized |  | http://database.ul.com/cgi-bin/XYV/template/LISEXT/1FRAME/index.htm | FILE E 238705 |
|---------------|---|---|---------------|

D-SUB bus connector - SUBCON-PLUS-PROFIB/AX/SC - 2744380

Approvals

| | | | |
|-----|--|---|---------|
| CSA | | http://www.csagroup.org/services-industries/product-listing/ | 2437602 |
|-----|--|---|---------|

| | | | |
|----------------|--|---|---------------|
| cUL Recognized | | http://database.ul.com/cgi-bin/XYV/template/LISEXT/1FRAME/index.htm | FILE E 238705 |
|----------------|--|---|---------------|

| | | | |
|-----|--|--|---------------|
| EAC | | | EAC-Zulassung |
|-----|--|--|---------------|

| | | | |
|------------------|--|--|--|
| cULus Recognized | | | |
|------------------|--|--|--|

Accessories

Accessories

Data cable by the meter

Bus system cable - PSM-CABLE-PROFIB/FC - 2744652



By the meter, Bus system cable, PROFIBUS (12 Mbps), shielded, PVC FR VI/PVC, Violet, 2-wire (1X2XAWG22/1), color single wire: Red, green, cable length: Free entry (1.0 ... 1000.0 m)

Data plug

Stripping tool - PSM-STRIP-FC/PROFIB - 2744623

Quick stripping tool for PROFIBUS cable, type Fast Connect



D-SUB bus connector - SUBCON-PLUS-PROFIB/PG/SC2 - 2708245



D-SUB connector, 9-pos., male connector, cable entry < 35°, bus system: PROFIBUS DP up to 12 Mbps with PG D-SUB socket for connecting a programming device, termination resistor can be switched on via slide switch, pin assignment: 3, 5, 6, 8; screw connection terminal blocks

D-SUB bus connector - SUBCON-PLUS-PROFIB/AX/SC - 2744380

Accessories

D-SUB bus connector - SUBCON-PLUS-PROFIB/90/PG/IDC - 2313685



D-SUB connector, 9-pos., male connector, cable entry < 90°, bus system: PROFIBUS DP up to 12 Mbps with PG D-SUB socket for connecting a programming device, termination resistor can be switched on via slide switch, pin assignment: 3, 5, 6, 8; IDC terminal block connection

D-SUB bus connector - SUBCON-PLUS-PROFIB/AX - 2744377



D-SUB connector, 9-pos., male connector, axial version with two cable entries, bus system: PROFIBUS DP up to 12 Mbps, termination resistor can be switched on via slide switch, pin assignment: 3, 5, 6, 8; spring-cage connection terminal blocks

Screwdriver tools

Screwdriver - SZF 0-0,4X2,5 - 1204504



Actuation tool, for ST terminal blocks, also suitable for use as a bladed screwdriver, size: 0.4 x 2.5 x 75 mm, 2-component grip, with non-slip grip

Screwdriver - SZK PH1 VDE - 1205150



Screwdriver, PH crosshead, VDE insulated, size: PH 1 x 80 mm, 2-component grip, with non-slip grip

Stripping tool

Stripping pliers - QUICK WIREFOX 6 - 1204384



Stripping tool for cables with PVC insulation, stripping range: 0.08 to 6 mm², wire cutting up to 6 mm² flexible or 4 mm² rigid

Terminal resistor

D-SUB bus connector - SUBCON-PLUS-PROFIB/AX/SC - 2744380

Accessories

Termination resistor - PSI-TERMINATOR-PB-TBUS - 2702636



Active termination resistor for PROFIBUS and RS-485 bus systems, redundant power supply, routing of the supply voltage via DIN rail connector, electrical isolation, switchable termination, integrated programming interface