
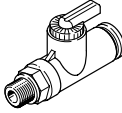
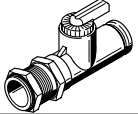
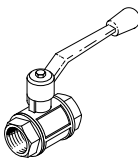


Ball valves

FESTO



Product range overview

Function	Design	Type	Pneumatic connection		Valve function		qnN [l/min]	→ Page/ Internet
			1	2	2/2-way valve	3/2-way valve		
Ball valves	Push-in connector at both ends							
		QH	QS-4	QS-4	■	-	148	5
			QS-6	QS-6	■	-	533	
	Male thread/push-in connector							
		QH	R1/8	QS-4	■	-	235	5
				QS-6	■	-	560	
	Bulkhead fitting, push-in connector at both ends							
		QHS	QS-6	QS-6	■	-	528	5
	Female thread at both ends							
		QH	G1/4	G1/4	■	-	3400	7
			G3/8	G3/8			7500	
			G1/2	G1/2			11500	
			G3/4	G3/4			21000	
G1			G1	33000				
G1 1/2			G1 1/2	84000				

Type codes

001	Series
QH	Ball valve




002	Design type
	Standard
S	Short

003	Pneumatic connection 1
QS-4	Push-in connector 4 mm
QS-6	Push-in connector 6 mm

004	Pneumatic connection 2
	Same size push-in connector as pneumatic connection 1
1/8	Male thread R1/8

Data sheet



-  - Standard nominal flow rate
148 ... 560 l/min
-  - Temperature range
0 ... +60°C
-  - Operating pressure
-0.1 ... 1 MPa



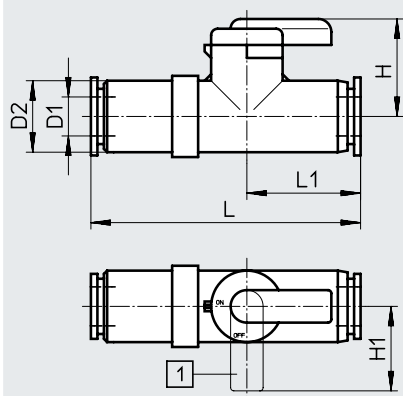
General technical data					
Type	QH			QHS, bulkhead fitting	
Pneumatic connection 1	QS-4	QS-6	R1/8		QS-6
Pneumatic connection 2	QS-4	QS-6	QS-4	QS-6	QS-6
Nominal width [mm]	2.5	4	2.5	2.5	4
Design	Ball valve				
Type of mounting	In-line installation		Screw-in		With lock nut
Mounting position	Any				
Valve function	2/2-way bistable valve				
Actuation type	Manual				
Sealing principle	Soft				

Operating and environmental conditions		
Operating pressure	[MPa]	-0.1 ... 1
	[bar]	-1 ... 10
Operating medium	Compressed air to ISO 8573-1:2010 [7:-:-]	
Note on operating/pilot medium	Lubricated operation possible (in which case lubricated operation will always be required)	
PWIS conformity	VDMA24364-B1/B2-L	
Ambient temperature [°C]	0 ... +60	

Materials	
Housing	PBT
Note on materials	RoHS-compliant

Dimensions – Push-in connector, both ends

Download CAD data → www.festo.com

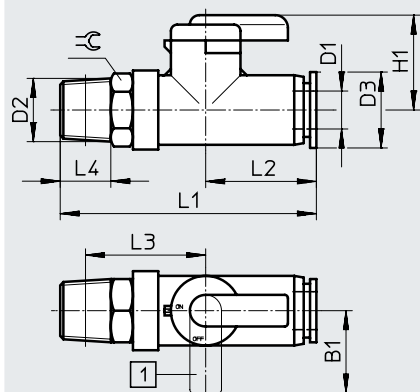


[1] Closed position

Type	D1 ∅	D2 ∅	H	H1	L	L1
QH-QS-4	4	11	15	13	38	17
QH-QS-6	6				41.5	17.5

Data sheet

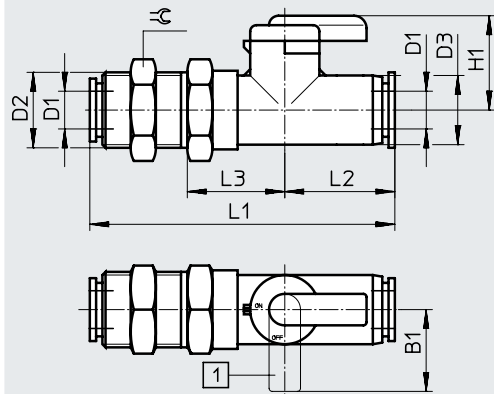
Dimensions – Male thread/push-in connector

Download CAD data → www.festo.com

[1] Closed position

Type	B1	D1 ∅	D2	D3 ∅	H1	L1	L2	L3	L4	⌀
QH-QS-4-1/8	13	4	R1/8	11	15	41.5	17	20	8	10
QH-QS-6-1/8		6				42	17.5			

Dimensions – Bulkhead fitting, push-in connector at both ends

Download CAD data → www.festo.com

[1] Closed position



Type	B1	D1 ∅	D2	D3 ∅	H1	L1	L2	L3	⌀
QHS-QS-6	13	6	M12x1	11	15	48.5	17.5	15.5	14

Ordering data

Design	Pneumatic connection	Standard nominal flow rate q _{nN} [l/min]	Weight [g]	Part no.	Type	
						1
	QS-4	QS-4	148	12	153483	QH-QS-4
	QS-6	QS-6	533	12.5	153484	QH-QS-6
	QS-4	R1/8	235	14	153486	QH-QS-4-1/8
	QS-6		560	15	153487	QH-QS-6-1/8
	QS-6	QS-6	528	16.5	153485	QHS-QS-6


Data sheet – With hand lever



-  - Standard nominal flow rate
3400 ... 84000 l/min
-  - Temperature range
-20 ... +180°C

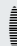


General technical data						
Pneumatic connection 1	G1/4	G3/8	G1/2	G3/4	G1	G1 1/2
Pneumatic connection 2	G1/4	G3/8	G1/2	G3/4	G1	G1 1/2
Nominal width [mm]	10	10	15	20	25	40
Design	Ball valve					
Type of mounting	In-line installation					
Mounting position	Any					
Valve function	2/2-way bistable valve					
Actuation type	Manual					
Sealing principle	Soft					

 **Note**
This product conforms to ISO 1179-1 and ISO 228-1.

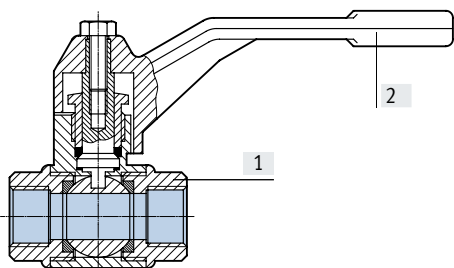
Operating and environmental conditions	
Operating medium	Compressed air to ISO 8573-1:2010 [7:-:-] Water ¹⁾
Note on operating/pilot medium	Lubricated operation possible (in which case lubricated operation will always be required)
Ambient temperature [°C]	-20 ... +180

1) Other media on request.

 **Note**
Not permitted for toxic gases such as natural gas, mains gas etc.

Materials

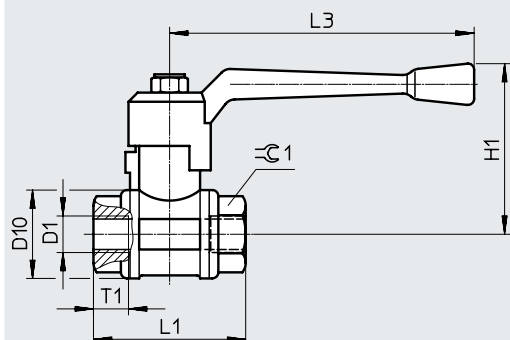
Sectional view



Ball valve		
[1]	Housing	Brass
[2]	Lever	Aluminium

Data sheet – With hand lever

Dimensions – Female thread at both ends

Download CAD data → www.festo.com

Type	D1	D10 ø	H1	L1	L3	T1	☩1
QH-1/4	G1/4	30	56	52	100	11.5	21.5
QH-3/8	G3/8	30	56	52	100	11.5	21.5
QH-1/2	G1/2	35	59	64	100	15	27
QH-3/4	G3/4	44	72	74	120	16.3	32
QH-1	G1	51	77	88	120	19.1	41
QH-1 1/2	G1 1/2	73	100	105.5	150	21.4	55

Ordering data

Design	Pneumatic connection		Standard nominal flow rate qnN [l/min]	Weight [g]	Part no.	Type	
	1	2					
2/2-way valve							
	Female thread at both ends	G1/4	G1/4	3400	175	9541	QH-1/4
		G3/8	G3/8	7500	180	9542	QH-3/8
		G1/2	G1/2	11500	340	9543	QH-1/2
		G3/4	G3/4	21000	590	9544	QH-3/4
		G1	G1	33000	815	9545	QH-1
		G1 1/2	G1 1/2	84000	1750	6837	QH-1 1/2

Note

This product conforms to ISO 1179-1 and ISO 228-1.