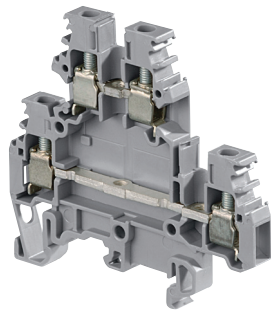
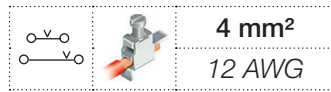
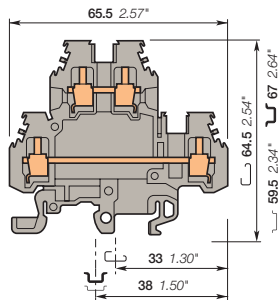


M4/6.D2 screw clamp terminal blocks

Double deck - 6 mm 0.236 in spacing



M4/6.D2



6 mm 0.236 in spacing

Description

- Save space with double deck terminal blocks: 2 independent circuits connected in just 6 mm 0.236 in spacing,
- Flexibility: snap onto symmetrical and asymmetrical rails.

Ordering details

| Description | Color | Type | Order code | Pkg pce | Weight (1 pce) g |
|--------------------------------------|--------|-----------|-----------------|---------|------------------|
| Feed-through 2 feed-through circuits | Grey | M4/6.D2 | 1SNA115271R2200 | 50 | 20.00 |
| | Blue | M4/6.D2.N | 1SNA125271R2400 | 50 | 20.00 |
| | Orange | M4/6.D2 | 1SNA105049R0600 | 50 | 20.00 |
| | Yellow | M4/6.D2 | 1SNA105045R2200 | 50 | 20.00 |
| | Green | M4/6.D2 | 1SNA105044R2100 | 50 | 20.00 |
| | Red | M4/6.D2 | 1SNA105048R0500 | 50 | 20.00 |
| | White | M4/6.D2 | 1SNA105046R2300 | 50 | 20.00 |
| | Black | M4/6.D2 | 1SNA105047R2400 | 50 | 20.00 |
| | Beige | M4/6.D2 | 1SNA195271R2300 | 50 | 20.00 |

Main technical data

| | | IEC | UL | CSA |
|---|---------------------------------|--------------------------|---------------|---------------|
| 1 conductor per clamp | Rigid - Solid / Stranded | 0.2-4 mm ² | 22-12 AWG | 24-10 AWG |
| | Flexible with insulated ferrule | 0.22-4 mm ² | | |
| | Gauge | A4 | | |
| Rated current / Rated cross section | | 32 A / 4 mm ² | 20 A / 12 AWG | 25 A / 10 AWG |
| Rated short-time withstand current (1s) | | 480 A | | |
| Rated voltage | | 800 V | 300 V | 600 V |
| Impulse withstand voltage | | 8000 V | | |
| Protection | | IP20 | NEMA 1 | |

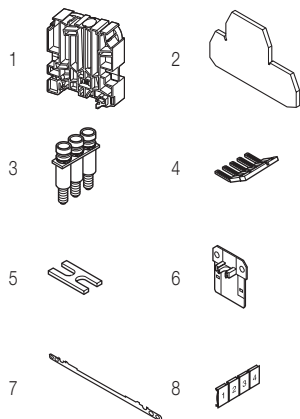
Mounting instructions

| | | |
|-----------------------|--|--|
| Rail | | G32, TH 35-7.5, TH 35-15 |
| Wire stripping length | | 8.5 mm 0.33 in |
| Tool | | Flat screwdriver Ø 4 mm Ø 0.157 in |
| Torque | | 0.5 - 0.8 N.m 4.4 - 7.1 lb.in |

The connecting capacity data for one Rigid - Solid / Stranded - Flexible conductor (when applicable) is a mandatory information required by IEC, UL and CSA standards. All other data are provided as supplementary information only. For more details, please consult our CB, UL or CSA certificates and technical data sheet available on <http://www.ABB.com>

| | | | | |
|----|------|----|-----|--------|
| CE | RoHS | UR | CSA | PC |
| CE | RoHS | UR | CSA | Gost R |

Accessories



| Description | Color | Type | Order code | Pkg pce | Weight (1 pce) g |
|---|-------|----------|-----------------|---------|------------------|
| 1 End stops 12 mm 0.472 in | Grey | BADH | 1SNA116900R2700 | 50 | 24.00 |
| 2 End sections 1 mm 0.039 in | Grey | FEM6D | 1SNA118499R2300 | 20 | 2.70 |
| 3 Jumper bars 2 poles 32 A | | BJM6D-2 | 1SNA179668R2000 | 10 | 4.00 |
| | | BJM6D-3 | 1SNA179669R2100 | 10 | 6.00 |
| | | BJM6D-4 | 1SNA179670R2600 | 10 | 8.00 |
| | | BJM6D-5 | 1SNA179671R1300 | 10 | 10.00 |
| | | BJM6D-10 | 1SNA179672R1400 | 10 | 20.00 |
| 4 Lateral jumper bars 10 poles 35 A | | PC61-10 | 1SNA163311R2200 | 10 | 5.00 |
| 5 Cross spacing jumpers 5 mm 0.200 in - 6 mm 0.236 in - 8 mm 0.315 in | | EL6 | 1SNA173627R2100 | 10 | 0.10 |
| 6 Circuit separators 0 mm 0 in | Grey | SCM6D | 1SNA113482R0500 | 10 | 0.30 |
| | | SCF6D | 1SNA118495R1700 | 20 | |
| 7 Shield connectors | | CBM5D | 1SNA173530R2400 | 50 | |
| 8 Terminal block markers Blank card | White | RC610 | 1SNA233000R0100 | 1 | 7.50 |

Complete list of accessories is indicated in the terminal block datasheet. Some accessories such as jumper bars may modify the terminal block's ratings: complete information in the accessories catalogue pages.

All the technical data for UL/CSA standard and dimensions in inches are in italic. Technical data valid for copper conductors only.