

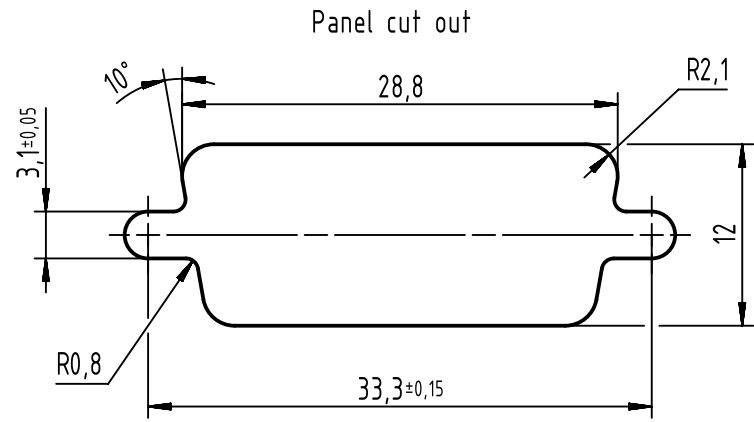
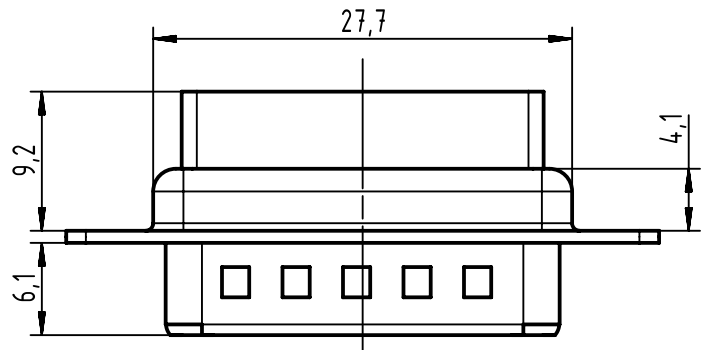
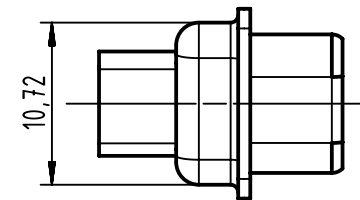
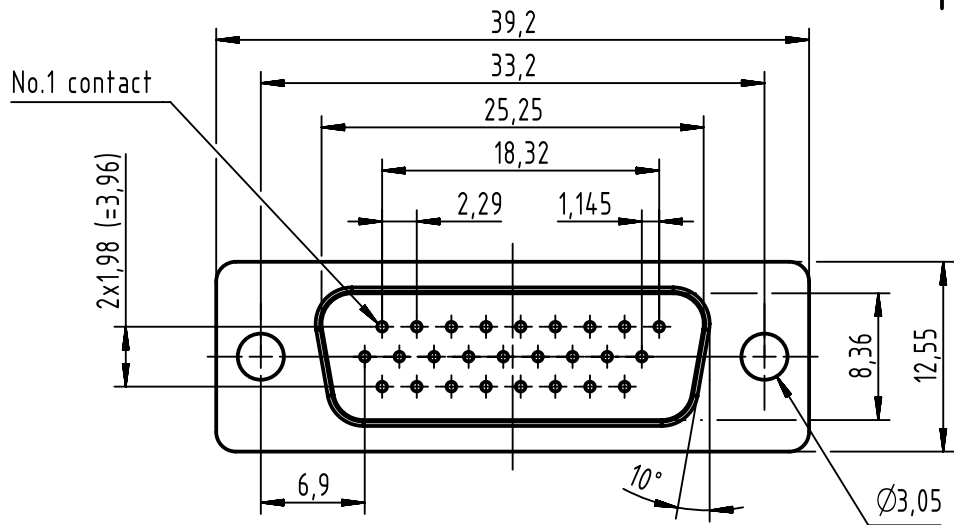
1 2 3 4 5 6


A

B

C

D



	All rights reserved Department EC PD - CN	All Dimensions in mm Original Size DIN A4		Scale 2:1	Free size tol.	Ref.
		HARTING Electronics GmbH D-32339 Espelkamp	Created by ZHUANGJ	Inspected by LUOK	Standardisation SCHREIER	Date 2016-12-14
Title D-Sub HD 26-pole male for crimp contacts						Doc-Key / ECM-Nr. 1005134.74/UGD/001/B 5000001124.10
Type TB				Number 09562005601		Rev. B
						Page 1/1

Mouser Electronics

Authorized Distributor

Click to View Pricing, Inventory, Delivery & Lifecycle Information:

[HARTING:](#)

[09562005601](#)