

THIS DOCUMENT CONTAINS PROPRIETARY DATA OF POLARIS INDUSTRIAL ENTERPRISES, INC. NO DISCLOSURE, REPRODUCTION, OR USE OF ANY PART THERE OF MAY BE MADE EXCEPT BY WRITTEN PERMISSION.

REV.	BY	DATE	APPRVL.	P/N	RV4NAYS

SPECIFICATIONS

RESISTANCE RANGE ----- 100,500,1K,5K,10K,50K,100K,1MEG OHM
 RESISTANCE TOLERANCE ----- ±10%
 POWER RATING -----2 WATTS @70°C
 DERATED TO 0 WATTS AT 120°C
 MECHANICAL ANGLE ----- 314°
 OPERATING VOLTAGE ----- 500V SUBJECT TO POWER RATING
 INSULATION RESISTANCE ----- DRY: 10K MEG OHM
 WET: 100K MEG OHM
 DIELECTRIC STRENGTH ----- 900 V RMS AT SEA LEVEL
 OPERATING TORQUE ----- 1 OZ/IN TO 6 OZ/IN
 OPERATING TEMPERATURE ----- -65°C TO +125°C
 ROTATIONAL LIFE ----- 25,000 CYCLES

MATERIALS

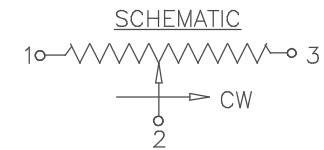
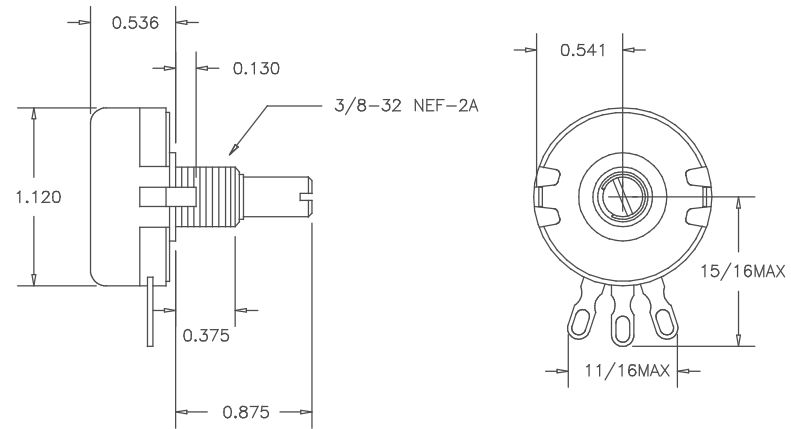
HOUSING ----- STAINLESS STEEL
 TERMINALS ----- GOLD PLATED
 SHAFT ----- STAINLESS STEEL
 RESISTIVE ELEMENT ----- HOT MOLDED CARBON

ENVIRONMENTAL

RESISTANCE TO SOLDERING HEAT ----- 350°C FOR 5 SECONDS
 HUMIDITY RANGE ----- PER MIL-R-94
 VIBRATION RANGE ----- PER MIL-R-94
 SHOCK RESISTANCE ----- PER MIL-R-94
 LOAD LIFE ----- 1000 Hr AT 70°C

OPTIONS

- OTHER STANDARD RESISTANCE VALUES AVAILABLE
- CUSTOM SHAFTS AND BUSHINGS
- SPECIAL TAPERS
- FOURTH (CENTER) TERMINAL
- HIGH LIFE
- ATTACHED SWITCH



TOLERANCES
 XX = +/- .010" FRACT. = +/- 1/64"
 XXX = +/- .005" ANGLES = +/- 1/2"
 ALL SPECIFICATIONS SUBJECT TO CHANGE WITHOUT NOTICE.

SCALE	DATE: 12-7-07
	BY AT
NONE	APPR'D
CODE	IDENT: 19477



TITLE
 SINGLE TURN
 POTENTIOMETER

PART NO.
 RV4NAYS

Mouser Electronics

Authorized Distributor

Click to View Pricing, Inventory, Delivery & Lifecycle Information:

ETI Systems:

[RV4NAYSD152A](#) [RV4NAYSD252A](#) [RV4NAYSJ503A](#) [RV4NAYSJ252A](#) [RV4NAYSJ501A](#) [RV4NAYSJ103A](#)
[RV4NAYSD104A](#) [RV4NAYSJ502A](#) [RV4LAYSJA503A](#) [RV4NAYSJ504A](#) [RV4LAYSJA504A](#) [RV4NAYSD503A](#)
[RV4NAYSD253A](#) [RV4NAYSJ102A](#) [RV4NAYSD502A](#) [RV4NAYSD202A](#) [RV4NAYSJ254A](#) [RV4NAYSJ253A](#)
[RV4NAYSD504A](#) [RV4NAYSJ104A](#) [RV4LAYSJA103A](#) [RV4NAYSD105A](#) [RV4NAYSD102A](#) [RV4NAYSD101A](#)
[RV4NAYSD203A](#) [RV4NAYSD251A](#) [RV4NAYSD103A](#) [RV4NAYSD254A](#) [RV4NAYSJ105A](#) [RV4LAYSJA502A](#)
[RV4NAYSJ101A](#) [RV4NAYSD501A](#) [RV4LAYSJA104A](#)