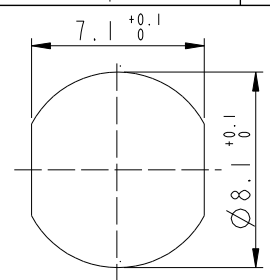
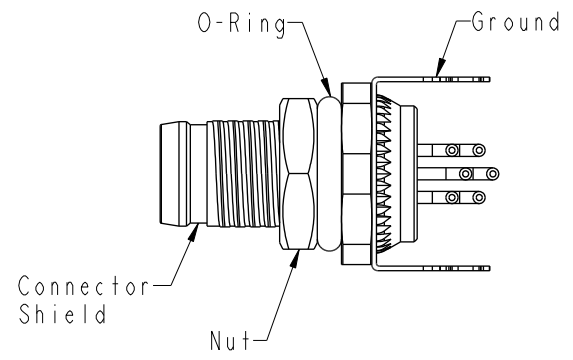
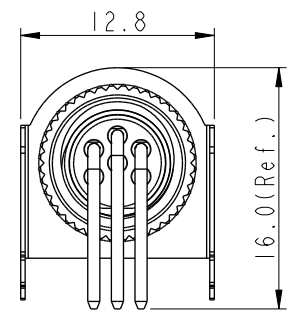
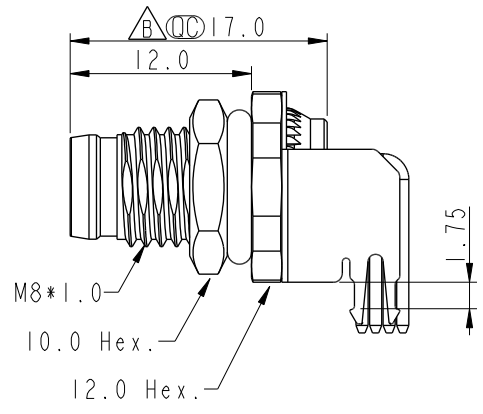
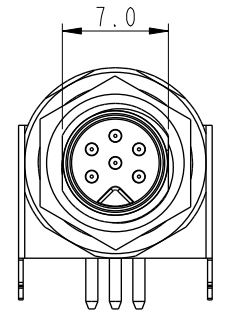


THIS DOCUMENT IS SUBJECT TO CHANGE WITHOUT NOTICE. IT IS CONFIDENTIAL AND A PROPERTY OF Amphenol LTW. DISCLOSURE TO THIRD PARTY HAS TO BE AUTHORIZED BY Amphenol LTW.

REV.	ECN NO.	DATE	SIGN	DESCRIPTION
B	C210686	2021/05/12	Vicky	$\triangle B$ X5



Recommended Panel Cut-Out



- $\triangle B$ Note:
- * RoHS Compliant
 - * CC Important dimension
 - * Waterproof rate: IPX8, unmated 1m/24h
 - * Connector Housing: Thermoplastic, Black
 - * Pin: Copper alloy, Gold plated
 - * Shield: Metal
 - * Ground: Metal
 - * Nut: Metal
 - * O-Ring: Rubber, Green
 - * For panel thickness: 2.0~4.0mm
 - * For pcb thickness max: 1.6mm
 - * Nut is packed separately in pe bag

UNIT: mm		
TOLERANCE	.X ±0.25	
.XX	±0.1	
.XXX	±0.05	
ANGLES	±1°	

TITLE N SEN, M8W/KEY-SHLD, SCREW RECEPTACLE, M, M, PCB R			$\triangle B$
SCALE	SIZE	SHEET	OF
2:1	A4	1	2
REV.	WC-REV.	CC : Inspection item	
B	A.5		

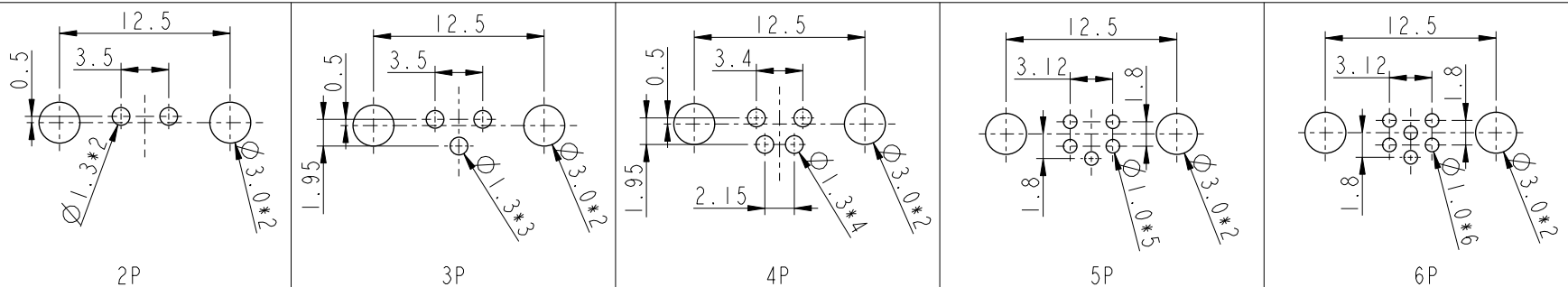
Amphenol LTW
安費諾亮泰企業股份有限公司

ITEM NO.	DRAWN BY	DATE
	Yulong_wang	2016-06-14
DWG NO.	CHECKED BY	DATE
M8AS-XXPMR-SF8001	Jinhai	2016-06-14
CUSTOMER	APPROVED BY	DATE
ALTW	Jerry	2016-06-14

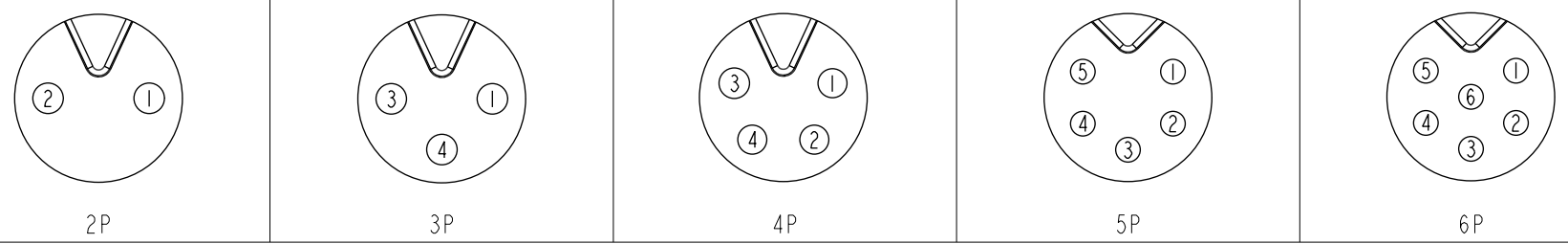
THIS DOCUMENT IS SUBJECT TO CHANGE WITHOUT NOTICE. IT IS CONFIDENTIAL AND A PROPERTY OF Amphenol LTW. DISCLOSURE TO THIRD PARTY HAS TO BE AUTHORIZED BY Amphenol LTW.

B
M8AS-XXPMMR-SF8001

XX: No. Of Pin



PCB Layout



Pin Assignments Front View

UNIT: mm		
TOLERANCE	.X	±0.25
	.XX	±0.1
	.XXX	±0.05
ANGLES		±1°

TITLE N SEN, M8W/KEY-SHLD, SCREW RECEPTACLE, M, M, PCB R			B
SCALE 2:1	SIZE A4	SHEET 2 OF 2	
REV. B	WC-REV. A.5	QC: Inspection item	

Amphenol LTW
安費諾亮泰企業股份有限公司

ITEM NO	DWG NO
	M8AS-XXPMMR-SF8001
CUSTOMER	ALTW

DRAWN BY	CHECKED BY
Yulong_wang	Jinhai
APPROVED BY	Jerry

DATE	2016-06-14
DATE	2016-06-14
DATE	2016-06-14

Mouser Electronics

Authorized Distributor

Click to View Pricing, Inventory, Delivery & Lifecycle Information:

[Amphenol:](#)

[M8AS-05PMMR-SF8001](#) [M8AS-03PMMR-SF8001](#) [M8AS-06PMMR-SF8001](#) [M8AS-04PMMR-SF8001](#) [M8AS-02PMMR-SF8001](#)