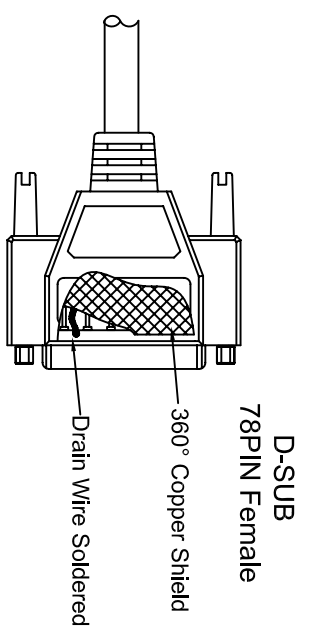
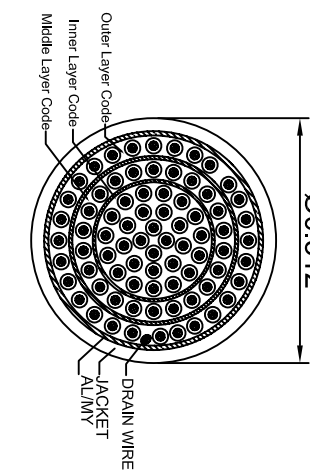
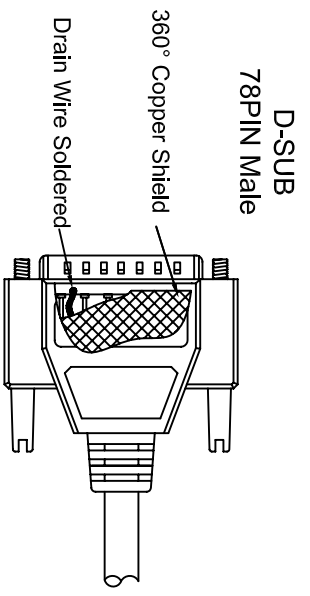
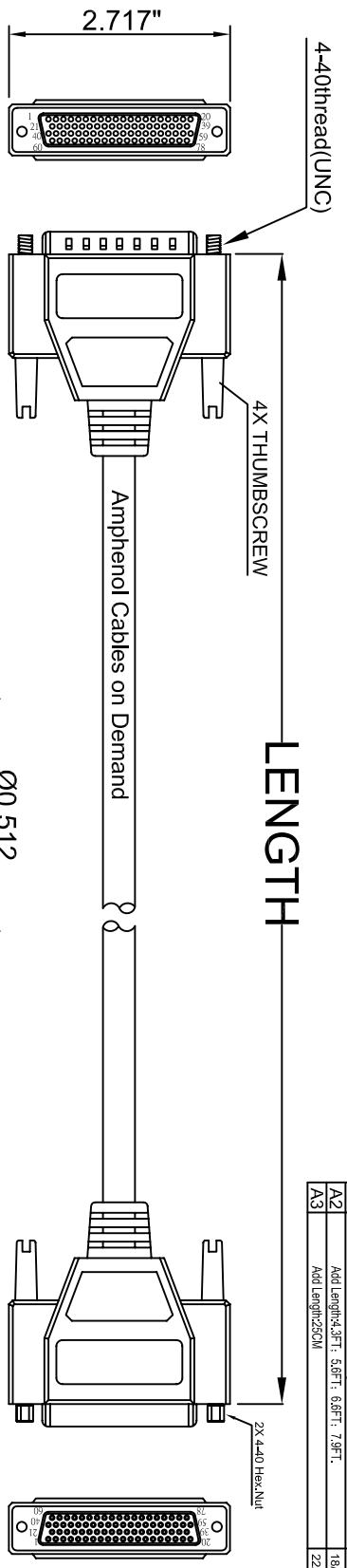


THE INFORMATION CONTAINED IN THIS DRAWING IS THE SOLE PROPERTY OF AMPHENEL CABLES ON DEMAND. ANY REPRODUCTION OR DISCLOSURE TO THIRD PARTIES IN PART OR WHOLE WITHOUT THE EXPRESS WRITTEN PERMISSION OF AMPHENEL CABLES ON DEMAND IS PROHIBITED.

REV	DESCRIPTION	DATE	APPROVED
A	NEW RELEASE	03/01/07	
A1	Add wiring color	16/JAN/2012	
A2	Add Length:4.3FT; 5.8FT; 7.9FT.	18/APR/2012	
A3	Add Length:25CM	22/AUG/2016	



SEC A-A

LENGTH & P/N Table	LENGTH	P/N	Cable Color
	25CM+3/-1CM		GREY
	2.5FT ±1.2 inch	CS-DSDHD78MF0-002.5	GREY
	5FT ±2 inch	CS-DSDHD78MF0-005	GREY
	10FT ±3 inch	CS-DSDHD78MF0-010	GREY
	25FT ±4 inch	CS-DSDHD78MF0-025	GREY
	50FT ±8 inch	CS-DSDHD78MF0-050	GREY
	4.3FT ±1.2 inch	CS-DSDHD78MF0-004.3	GREY
	5.6FT ±1.2 inch	CS-DSDHD78MF0-005.6	GREY
	6.6FT ±2 inch	CS-DSDHD78MF0-006.6	GREY
	7.9FT ±2 inch	CS-DSDHD78MF0-007.9	GREY

PIN OUT:		Inner Layer Code		Middle Layer Code		Outer Layer Code	
Male	Female	Color	Male	Female	Color	Male	Female
PIN1	—	Black	—	—	—	—	—
PIN2	—	Brown	—	—	—	—	—
PIN3	—	Red	—	—	—	—	—
PIN4	—	Orange	—	—	—	—	—
PIN5	—	Yellow	—	—	—	—	—
PIN6	—	Green	—	—	—	—	—
PIN7	—	Blue	—	—	—	—	—
PIN8	—	Purple	—	—	—	—	—
PIN9	—	Gray	—	—	—	—	—
PIN10	—	White	—	—	—	—	—
PIN11	—	Light Green	—	—	—	—	—
PIN12	—	Pink	—	—	—	—	—
PIN13	—	Black/White	—	—	—	—	—
PIN14	—	Brown/White	—	—	—	—	—
PIN15	—	Red/White	—	—	—	—	—
PIN16	—	Orange/White	—	—	—	—	—
PIN17	—	Green/White	—	—	—	—	—
PIN18	—	Blue/White	—	—	—	—	—
PIN19	—	Purple/White	—	—	—	—	—
PIN20	—	Red/Black	—	—	—	—	—
PIN21	—	Orange/Black	—	—	—	—	—
PIN22	—	Yellow/Black	—	—	—	—	—
PIN23	—	Green/Black	—	—	—	—	—
PIN24	—	Gray/Black	—	—	—	—	—
PIN25	—	Pink/Black	—	—	—	—	—
PIN26	—	Pink/Red	—	—	—	—	—
PIN27	—	Pink/Blue	—	—	—	—	—
PIN28	—	Pink/Green	—	—	—	—	—



NOTES: UNLESS OTHERWISE SPECIFIED

UNLESS OTHERWISE SPECIFIED DIMENSIONS ARE IN INCHES TOLERANCES ARE:		EQR NO.		Amphenel Cables on Demand 20 VALLEY ST. ENDCOTT, NY 13760	
DEMIAS		APPROVALS	DATE	ASM CBL Deluxe High Density 78PIN D-Sub MF	
.X	±X	LF	22/Aug/2016		
.XX	±XX	CHECKED	22/Aug/2016		
.XXX	±XXX	BA		SIZE	DWG. NO.
THIRD ANGLE PROJECTION			RESP ENG	A	CS-DSDHD78MF0-XXX
DOW FILE		SCALE	SHEET	OF	REV. A3

Mouser Electronics

Authorized Distributor

Click to View Pricing, Inventory, Delivery & Lifecycle Information:

[Amphenol:](#)

[CS-DSDHD78MF0-010](#) [CS-DSDHD78MF0-002.5](#) [CS-DSDHD78MF0-025](#) [CS-DSDHD78MF0-005](#)