

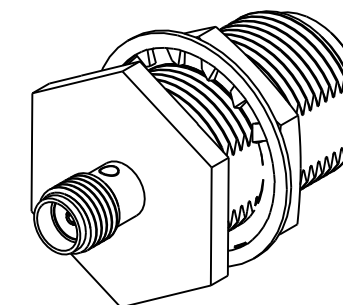
NOTES:

1. MATERIALS AND FINISHES:  
 BODY & HEX NUT - STAINLESS STEEL, PASSIVATED  
 CONTACT - BeCu, GOLD PLATING  
 INSULATOR - PTFE, NATURAL  
 LOCK WASHER - PHOSPHOR BRONZE, NICKEL PLATING  
 GASKET - SILICONE RUBBER, RED
2. ELECTRICAL:  
 A. IMPEDANCE: 50 OHM
3. MECHANICAL:  
 A. DURABILITY: 500 CYCLES MIN.  
 B. TEMPERATURE RANGE: -65° C TO +165° C
4. PACKAGING:  
 A. QUANTITY: SINGLE PACK  
 B. MARKING: BAG TO BE MARKED  
 "AMPHENOL RF, 901-3143-1000, AND DATE CODE"

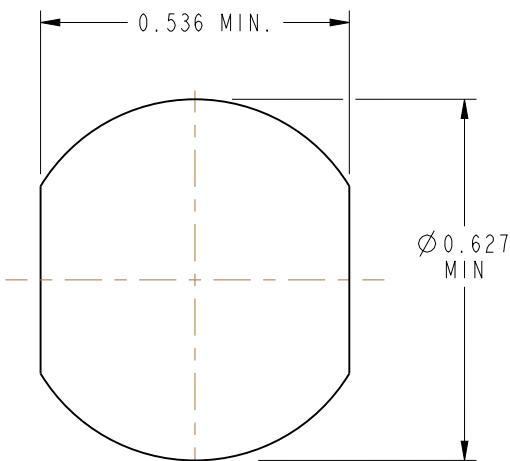
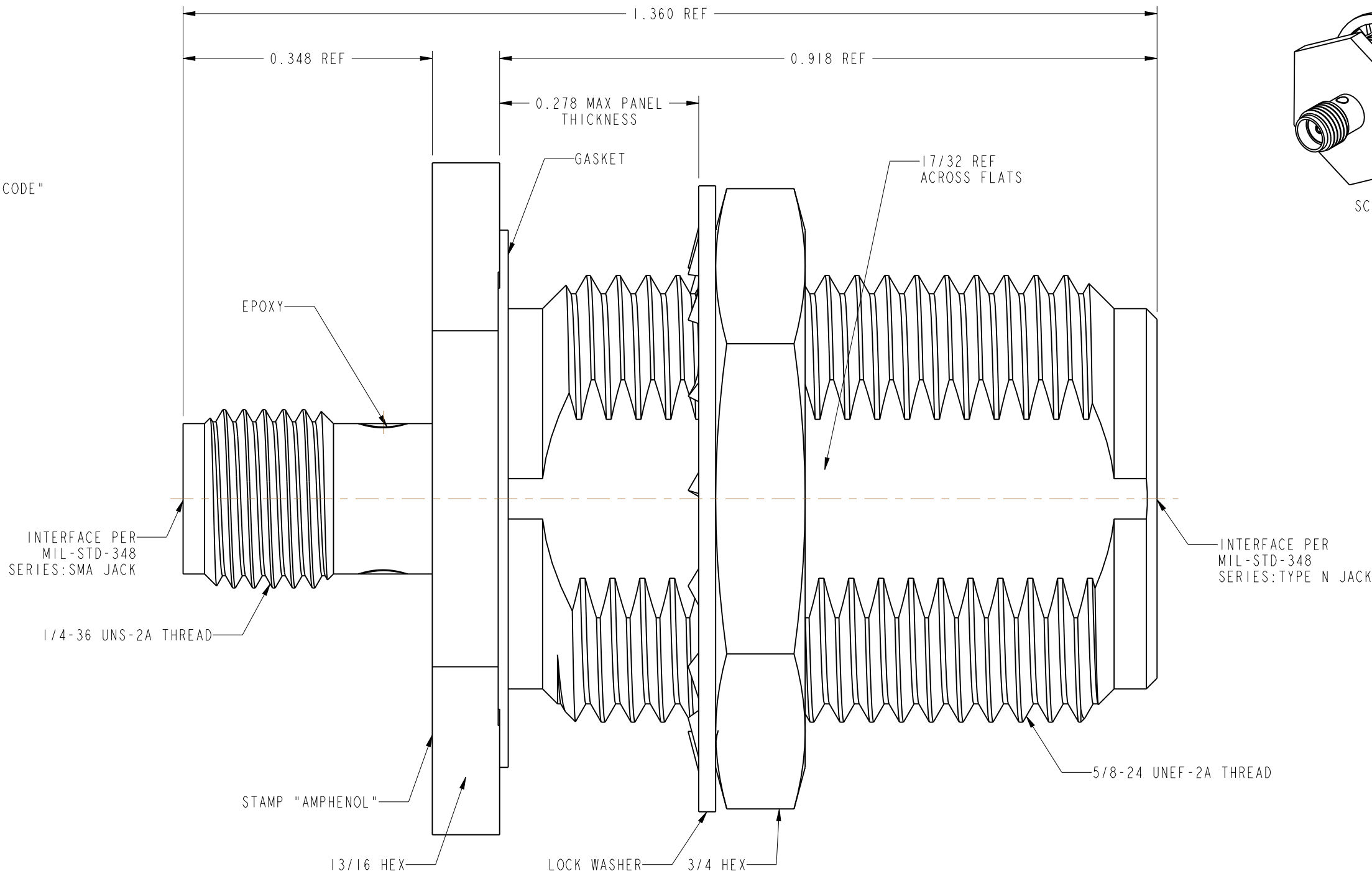
THIRD ANGLE PROJ.

REVISIONS

REV	DESCRIPTION	DATE	ECO	APPR
--	RELEASE TO MFG.	-----	-----	-----
E	REDRAWN IN PRO-E, ADD COD	2/24/14	49780	RV



SCALE 1.500



**RECOMMENDED MOUNTING HOLE DIMENSIONS**

**CUSTOMER OUTLINE DRAWING**

ALL OTHER SHEETS ARE FOR INTERNAL USE ONLY

UNLESS OTHERWISE SPECIFIED, DIMENSIONS ARE IN INCHES AND TOLERANCES ARE: 2 PLACE DECIMAL 3 PLACE DECIMAL ANGLES $\pm 0.015$ (0,381 mm) $\pm 0.005$ (0,127 mm) $\pm 1^\circ$	MATERIAL	DRAWN	DATE	TITLE		Amphenol RF www.amphenolrf.com	
	SEE NOTES	RAJAVIJAYAN S	24-Oct-13				
	REFERENCE	ENGINEER	DATE	SCALE: 6.0:1.0		DRAWING NO. 901-3143-1000	
	50-675-6705-89 & 615X-1106-100 EAR # 962172 CONFIGURATION LEVEL: In Work	RAJAVIJAYAN S	24-Oct-13	SHEET 2 OF 2		ITEM NO. 901-3143-1000	
FINISH	APPROVED	DATE	DWG SIZE		PART NO. 901-3143-1000		
	K. CAPOZZI	2/21/14	B				
	CAD FILE		REV				
			E				

NOTICE - These drawings, specifications, or other data (1) are, and remain the property of Amphenol corp. (2) must be returned upon request; and (3) are confidential and not to be disclosed to any person other than those to whom they are given by Amphenol Corp. the furnishing of these drawings, specifications, or other data by Amphenol Corp., or to any other person to anyone for any purpose is not to be regarded by implication or otherwise in any manner licensing, granting rights to permitting such holder or any other person to manufacture, use or sell any product, process or design, patented or otherwise, that may in any way be related to or disclosed by said drawings, specifications, or other data.

# Mouser Electronics

Authorized Distributor

Click to View Pricing, Inventory, Delivery & Lifecycle Information:

[Amphenol:](#)

[901-3143-1000](#)