

SELECTION GUIDE

Your smart home



YESLY

TIME FOR
COMFORT
LIVING

YESLY is the perfect comfort living system to make your lighting, blinds and shutters both controllable and 'Smart'

Manage your YESLY home system with your Smartphone, or by voice commands



Light control



Electric roller blinds and shutter control



Control SCENARIOS



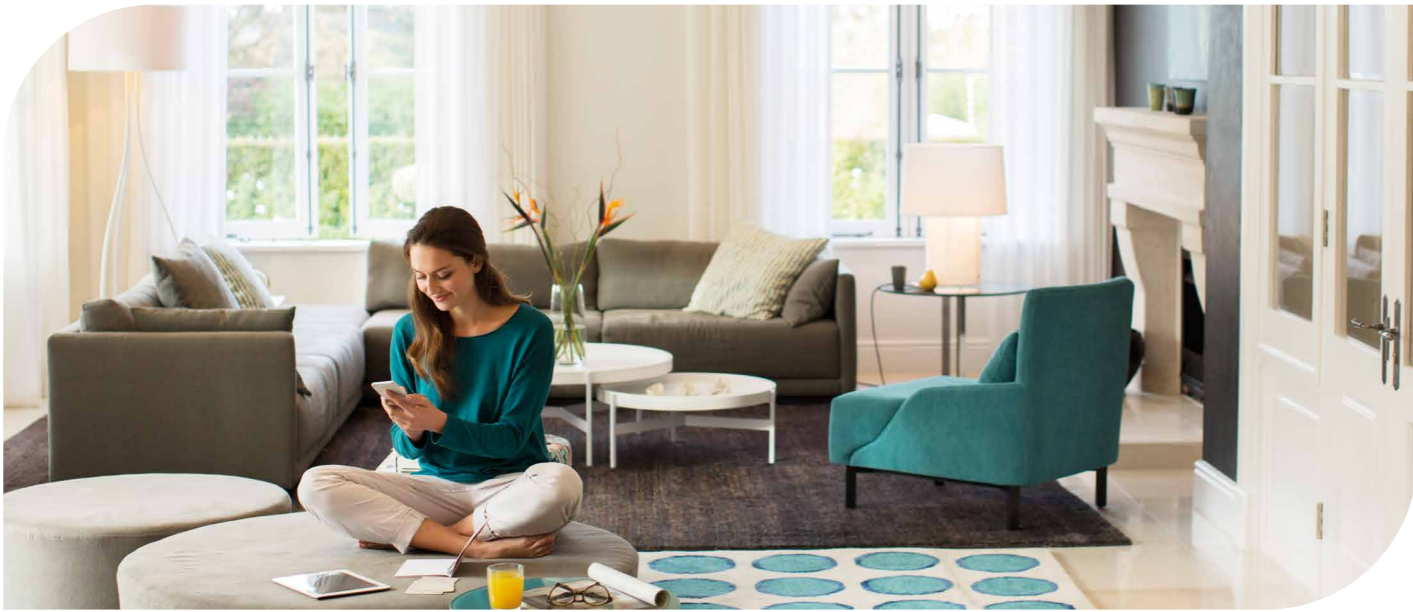
Control remotely



Control by voice



Control by Smartphone



What is YESLY ?

YESLY is a system that allows you to control lights, electric roller blinds, curtains, shutters and much more in a Smart way ensuring the ultimate in a comfortable environment.

YESLY requires no invasive renovations and can be installed in a single room or throughout the house, according to your needs.

The YESLY system is versatile, economical, convenient, simple to install and use. With YESLY, comfortable living is for everyone!

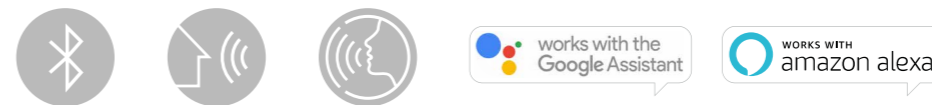


How YESLY functions

Your system will comprise several devices – communicating via Bluetooth 4.2 LE – which you will have selected on the basis of your individual home needs.

With YESLY you have options for controlling your lighting, electric roller blinds and similar through your Smartphone, through wired or wireless pushbuttons, or by your own voice. The YESLY multi-function relay allows you to turn on/off one or more lights, while the YESLY dimmer also allows adjustment of the light level. The YESLY actuator for blinds allows shutters and blinds to be controlled intelligently, while a range extender can expand the operational area of the entire system – making it suitable for the larger home.

And finally, GATEWAY allows remote control of the YESLY system via The Google Assistant or Amazon Alexa.



Why choose YESLY ?

Choosing YESLY means choosing a system 100% MADE IN ITALY that is highly reliable and secure, with particular emphasis on the protection of personal data.

YESLY is a versatile system with a high benefit/cost ratio – easy to use, but also easy to install and configure.

Choosing YESLY means adding value to your home and to your comfort.



YESLY

TIME FOR COMFORT LIVING

Your Smart home in a few simple steps

INSTALL

Multifunction relay



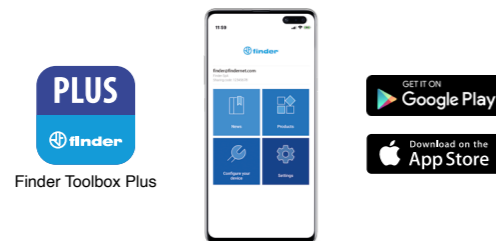
Actuator for electric roller blinds and shutters



Dimmer



Smartphone applications



Input YESLY interface unit

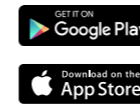


Range extender

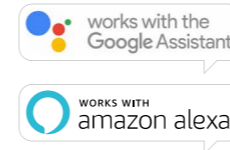


CONTROL

Smartphone applications



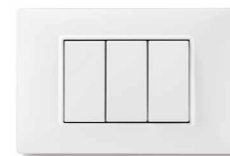
GATEWAY



Wireless pushbuttons



Wired pushbuttons



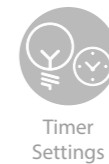
OPERATE



LIGHTING



Brightness control



Timer Settings



Soft Start function



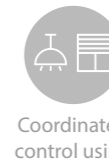
LED Strip



ELECTRIC ROLLER BLINDS/CURTAINS



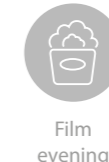
Raise/Lower



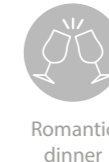
Coordinated control using scenarios



PERSONALISED SCENARIOS



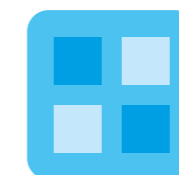
Film evening



Romantic dinner



Reading



AND MUCH MORE



YESLY Lighting



With YESLY you can manage the lighting in your home using your Smartphone, wired or wireless pushbuttons or just your voice.

You can turn your lighting off or on, or dim the lighting for each room, creating just the right atmosphere for every occasion.

And don't worry if you leave home and forget to turn the lights off. With Finder GATEWAY there's no need to panic, as you can fully control your entire YESLY system remotely.

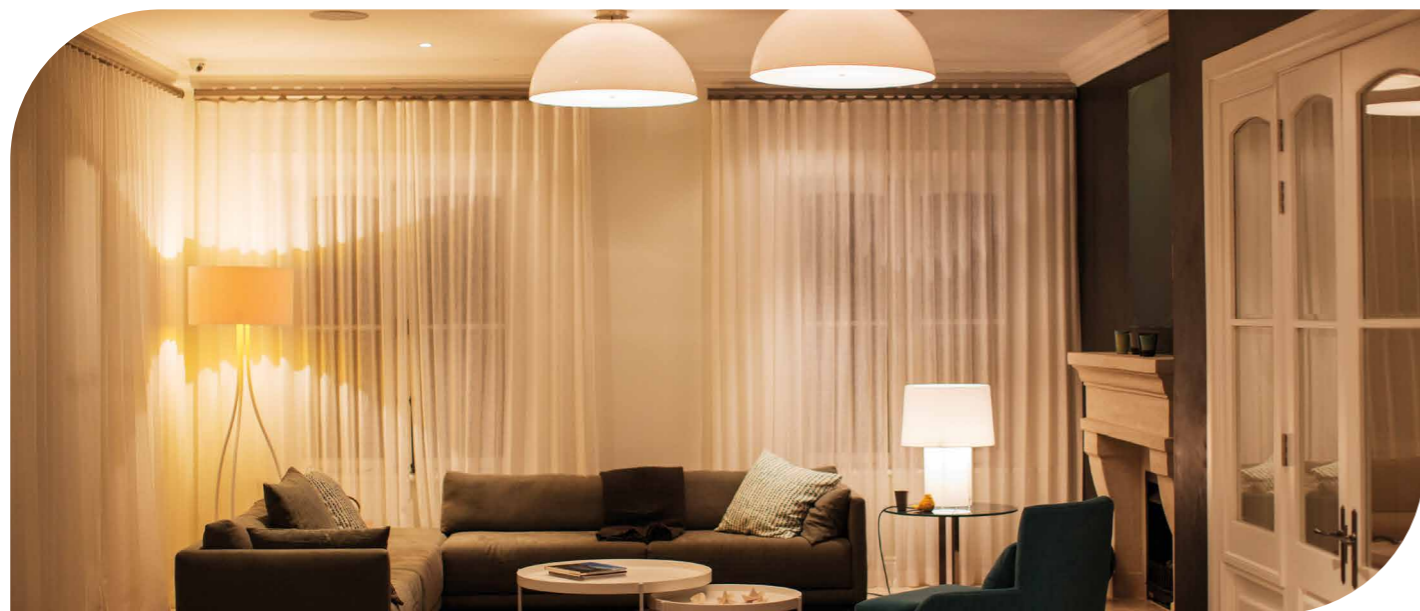


YESLY Electric roller blinds/curtains



The YESLY system can play an important role in regulating and maintaining a comfortable environment within the home – thanks to automated control and management of house blinds and shutters. And, with the installation of the appropriate actuator, this control can be overseen or initiated through use of the Finder YESLY App, wired pushbuttons, wireless pushbuttons or with your voice – thanks to YESLY's integration with voice assistants.

With scenarios you can easily centrally control the movement of any or all blinds with a single command.



YESLY Scenarios

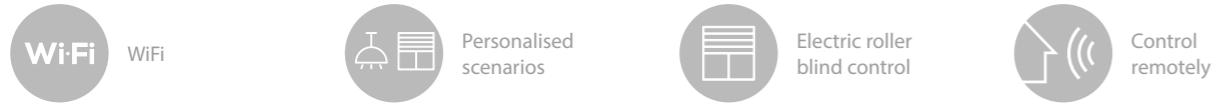


With the YESLY system it is possible to create multiple customized scenarios, based on your needs, mood or habits.

After configuring these scenarios via the Finder Toolbox App Plus they can be recalled at will using your Smartphone. In this way, with a single command, you can easily control the lamps, lights and roller shutters to dial-up the ideal atmosphere for your home - any time of the day.

Type 1Y.GU.005 - YESLY GATEWAY - Control your devices with just your voice

The YESLY GATEWAY has been designed to be small, elegant and very easy to install.



With GATEWAY you can control your YESLY system remotely, wherever you are in the world. No more forgotten lights left on or roller blinds left open. It is always possible, any time and anywhere, to check their status and make changes if necessary.

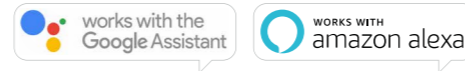
Moreover, through GATEWAY it is even possible to manage your system through voice commands using The GOOGLE Assistant or AMAZON ALEXA. Just say: "Hey Google, lower the blinds" or "Alexa, adjust the light to 50%", to control any or all of your devices. You can also use YESLY in routines, along with other services offered by voice assistants.

GATEWAY connects via the 2.4GHz WiFi network of the home router. However, if your wireless connection goes down the YESLY system will continue to work with Bluetooth.

GATEWAY can be integrated with all existing YESLY systems.



Type 1Y.GU.005



Program and manage in a simple and intuitive way

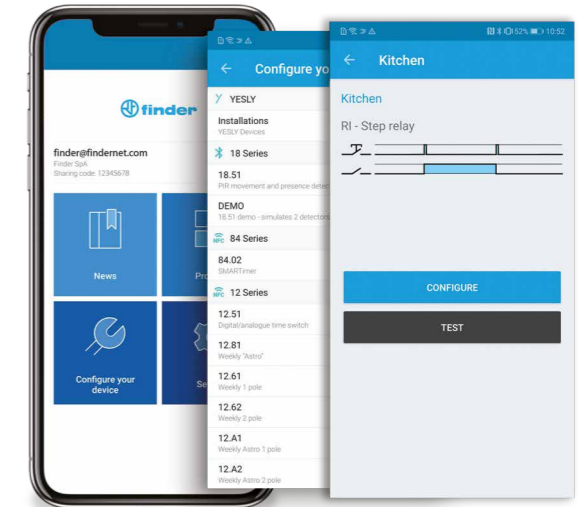
Finder TOOLBOX PLUS for installation

Installing the YESLY devices is as easy as downloading an application. Finder Toolbox Plus guides the installer step by step through the configuration of each YESLY device, making it quick and intuitive.



Finder Toolbox Plus

- Program devices
- Set functions
- Associate wireless pushbuttons
- Create scenarios
- Share the installation with the end use



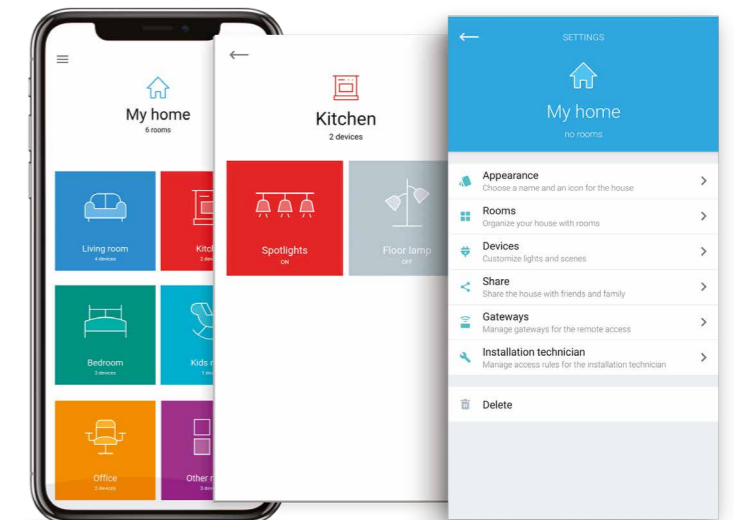
Finder YESLY for the commands

Thanks to Finder YESLY you can manage all your home devices from the comfort of your Smartphone: turn on, turn off or adjust light levels, check the blinds or electric curtains and recall the scenarios. The App is totally customizable.



Finder Yesly

- Switching ON, OFF and DIMMING lamps
- Group and manage devices by room
- Share with other homes
- Rename devices
- Customise the devices
- Associate the GATEWAY



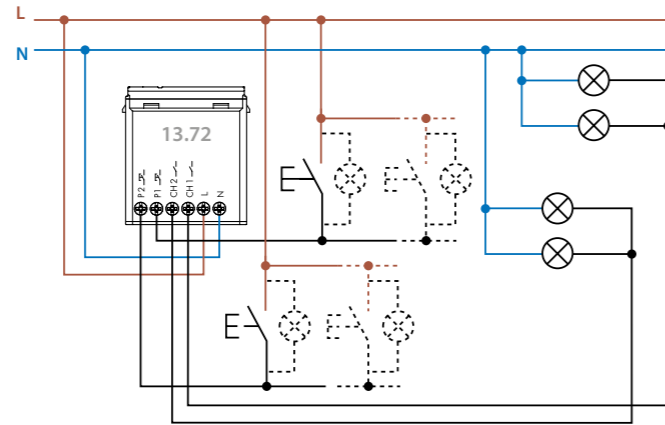
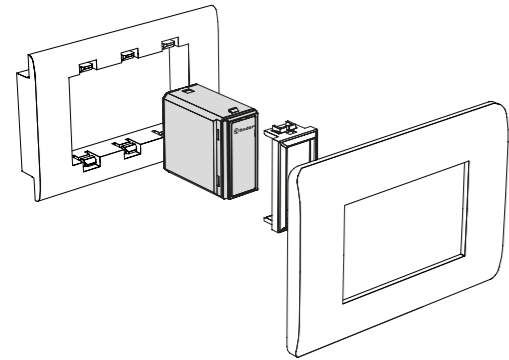
Type 13.72 - Multifunction relay compatible with the most popular Italian wall switch systems

- Integrates within most popular wall boxes
- Turning devices ON / OFF
- Timer Settings
- Electric roller blinds and shutter control



- 2 independent and programmable channels
- 21 available functions ¹
- Default function (both channels): RI – Step relay (pushbutton control)
- 2 outputs with NO contacts rated 6 A 230 V AC
- Lamp load: 200 W 230 VAC
- 2 inputs for wired pushbuttons (one input per channel). Up to 5 illuminated pushbuttons per input. Can be managed through standard pushbuttons, wireless buttons, smartphone
- Management of up to 8 scenarios
- App programming with iOS or Android Smartphone
- Supply voltage 230 V AC (50/60 Hz)
- Secure Bluetooth 4.2 Low Energy connection with 128-bit encryption
- Compatible with the most popular Italian wall switch systems ²

² The Type 13.72 is compatible with most popular residential and commercial frame systems such as: AVE[®], Bticino[®], Gewiss[®], Simon Urmet[®], Vimar[®], through the use of special adaptors included in the box.



¹ Selectable functions

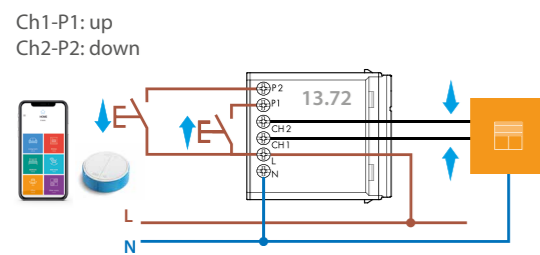
- Monostable relay
- Step relay (RI - pushbutton control)
- Step relay (RIa - switch control, Type 13.22 only)
- Asymmetric flasher (starting pulse on) with control signal
- Interval with control signal on
- Interval with timed control signal
- Staircase light timer
- Staircase light timer + stair maintenance
- Staircase light timer with switch off early warning

- Staircase light timer with switch off early warning + staircase maintenance
- Timing step relay
- Timing step relay with switch off early warning
- Roller blind control (Type 13.72 only)
- Bathroom light and fan control
- Doorbell and light control
- 7 step relay sequences (see table)

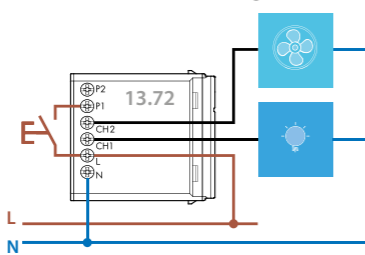
Type	Functions	Sequences			
		1	2	3	4
13.22	02				
13.72					

Examples of applications

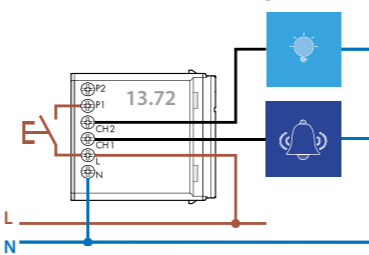
Function TP - Roller Blinds, Shutters and Curtains



Function VB - Bathroom light + fan



Function CP - Doorbell + Lights



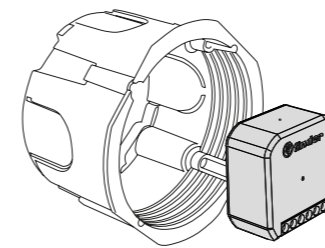
Type 13.22 - Multifunction relay, round wall box (ie: Ø 60 mm) mounting

- Wall box mounting
- Turning devices ON / OFF
- Timer Settings

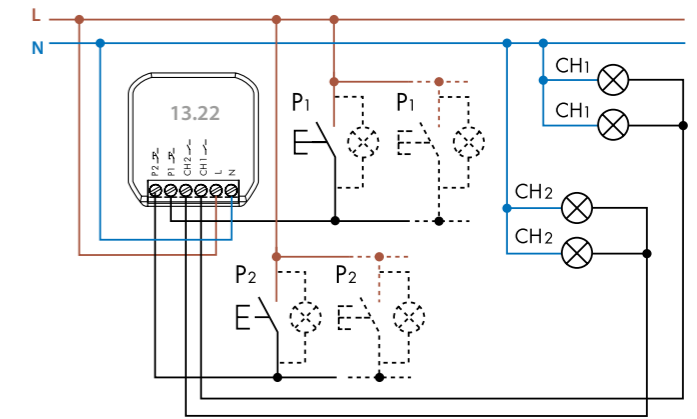


Type 13.22.8.230.B000

The 13.22 is suitable for fitting within a 60mm round wall box or other junction boxes.

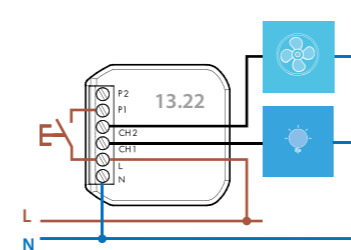


- 2 independent and programmable channels
- 21 available functions ¹
- Default function (both channels): RI – Step relay (pushbutton control)
- Special function RIa - Step relay (switch control). Ideal for converting a traditional system using one, two, or four way switches, into a Smart system
- 2 outputs with NO contacts rated 6 A 230 V AC
- Lamp load: 200 W 230 VAC
- 2 inputs for wired pushbuttons (one input per channel). Can be managed through standard wired pushbuttons, wireless pushbuttons, or Smartphone
- Management of up to 8 scenarios
- App programming with iOS or Android Smartphone
- Supply voltage 230 V AC (50/60 Hz)
- Secure Bluetooth 4.2 Low Energy connection with 128-bit encryption
- Round wall box (ie: Ø 60 mm) mounting



Examples of applications

Function VB - Bathroom light + fan

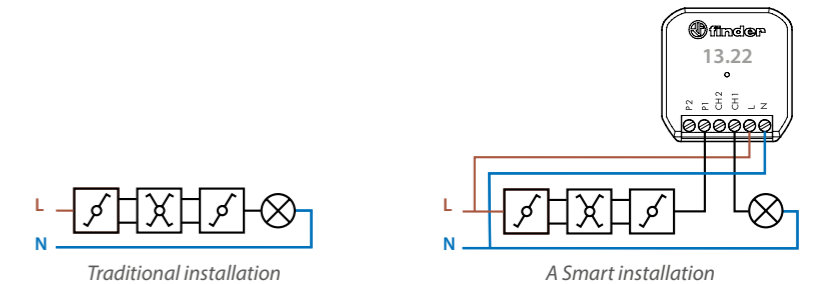
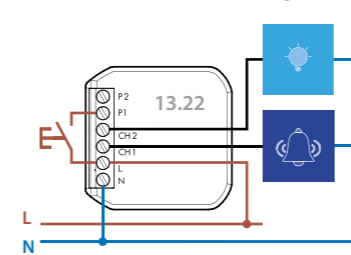


Special function RIa - Step relay (switch control). Ideal for converting a traditional system using one, two, or four way switches, into a Smart system

The Smart system controls from just a momentary push to a wired, wireless or Smartphone pushbutton



Function CP - Doorbell + Lights



Type 15.71 - Bluetooth Dimmer compatible with the most popular Italian wall switch systems

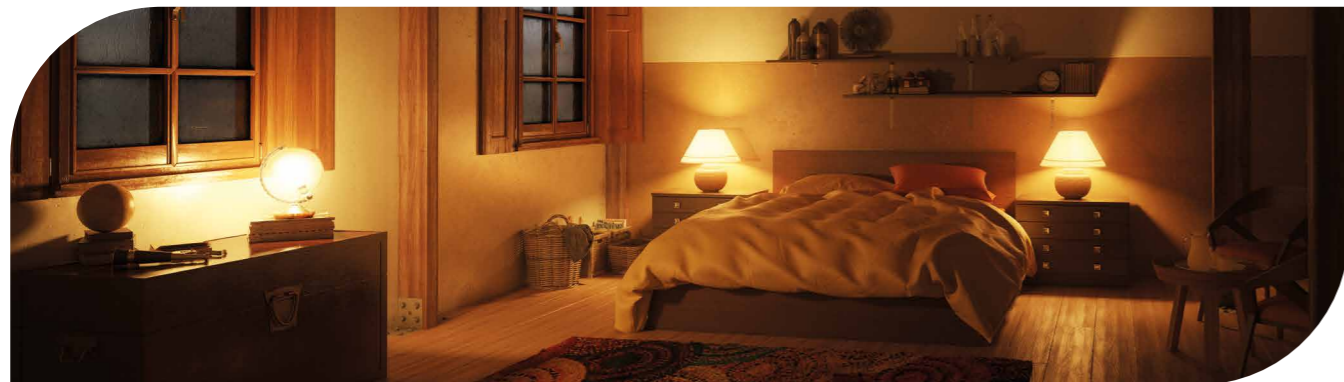
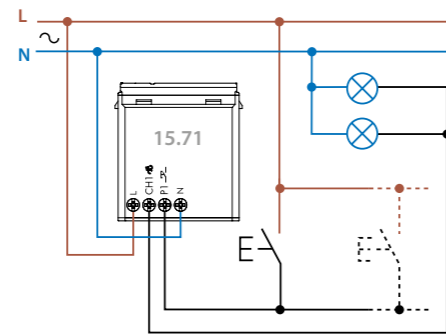
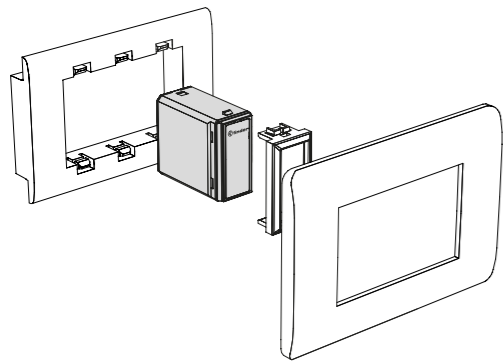
- Integrates within most popular wall boxes
- Brightness control
- Light control
- Soft Start function



Type 15.71.8.230.B200 - white
Type 15.71.8.230.B202 - anthracite

- 1 output
- Lamp load: 100 W LED, 200 W halogen
- AUTO function, to automatically set the most appropriate method for driving the type of lamp being used
- An additional 7 functions to manually set the lamp driving method and the control curve
- Leading edge and trailing edge compatibility
- Default function: Trailing edge (linear)
- 1 wired pushbutton input. Can be managed through standard wired pushbuttons, wireless pushbuttons or Smartphone
- Compatible with energy-saving lamps, compact dimmable fluorescent lamps (CFL) or dimmable LEDs - with either electronic or electromagnetic transformers
- Management of up to 8 scenarios
- App programming with iOS or Android Smartphone
- Over-temperature and short-circuit protection
- Supply voltage 230 V AC (50/60 Hz)
- Secure Bluetooth 4.2 Low Energy connection with 128-bit encryption
- Compatible with the most popular Italian wall switch systems ²

² The Type 15.71 is compatible with most popular residential and commercial frame systems such as: AVE**, Bticino**, Gewiss**, Simon Urmet**, Vimar**, through the use of special adaptors included in the box.



- 1 output
- 1 wired pushbutton input.
Can be managed through standard wired pushbuttons, wireless pushbuttons or Smartphone
- Management of up to 8 scenarios
- App programming with iOS or Android Smartphone
- Secure Bluetooth 4.2 Low Energy connection with 128-bit encryption
- Round wall box (ie: Ø 60 mm) mounting

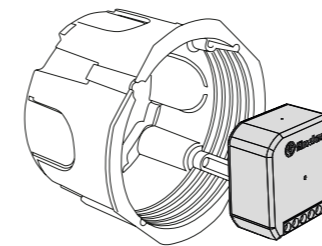
Type 15.21.8.230.B300 - Universal Bluetooth Dimmer via Phase Control

- Wall box mounting
- Brightness control
- Phase control
- Soft Start function

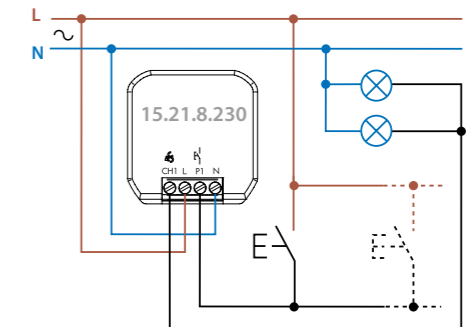


Type 15.21.8.230.B300

The 15.21 is suitable for fitting within a 60mm round wall box or other junction boxes.



- Lamp load: 150 W LED, 300 W halogen
- AUTO function, to automatically set the most appropriate method for driving the type of lamp being used
- An additional 7 functions to manually set the lamp driving method and the control curve
- Phase control method - Leading Edge or Trailing Edge
- Default function: Trailing edge (linear)
- Compatible with energy-saving lamps, compact dimmable fluorescent lamps (CFL) or dimmable LEDs - with either electronic or electromagnetic transformers
- Over-temperature and short-circuit protection
- Supply voltage 230 V AC (50/60 Hz)



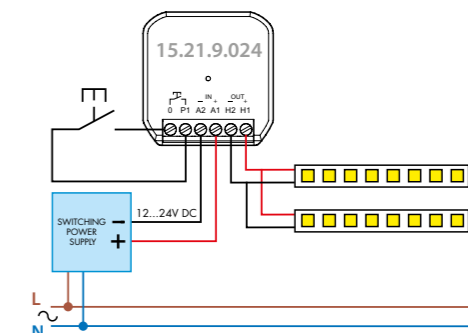
Type 15.21.9.024.B200 - Bluetooth Dimmer PWM

- Wall box mounting
- Brightness control
- LED Strip
- Soft Start function

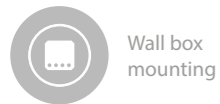


Type 15.21.9.024.B200

- Maximum load 8 A
- PWM technology
- Compatible with LED strips
- Over-temperature, short-circuit, and polarity reversal protection
- Supply voltage 12...24 V DC



Type 13.S2
Single function relay (actuator) with Bluetooth suitable for electric roller blinds and shutters



Wall box mounting



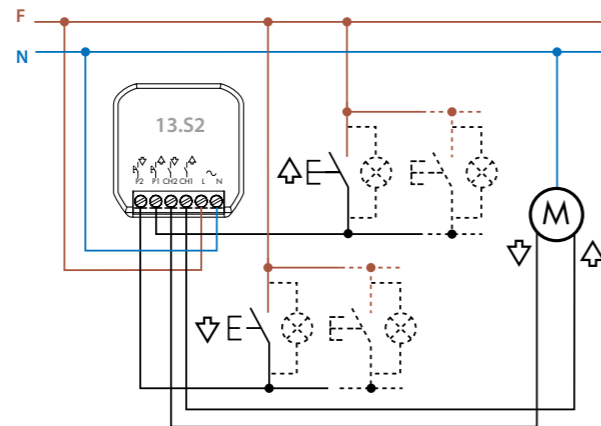
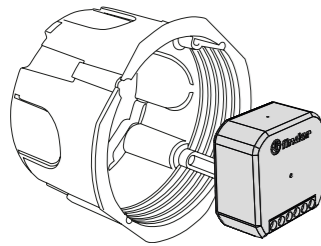
Electric roller blinds and shutter control



Type 13.S2.8.230.B000

- 1 specific function - Electric roller blinds and shutter control
- 2 outputs with NO contacts rated 6 A 230 V AC
- Motor load: 200 W 230 VAC
- 2 inputs for wired pushbuttons (one input per channel). Up to 5 illuminated pushbuttons per input. Can be managed through standard wired pushbuttons, wireless pushbuttons or Smartphone
- Management of up to 8 scenarios
- Programmable with iOS or Android Smartphone
- Supply voltage 230 V AC (50/60 Hz)
- Secure Bluetooth 4.2 Low Energy connection with 128-bit encryption
- Round wall box (ie: Ø 60 mm) mounting

The 13.S2 is suitable for fitting within a 60mm round wall box or other junction boxes.



Type 1Y.P2 - 2-Input YESLY interface unit



Wall box mounting



Bluetooth



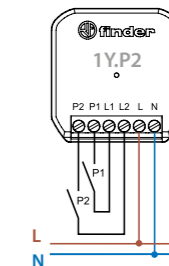
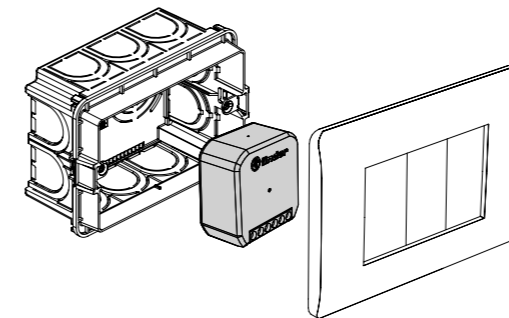
Interface for volt-free or phase voltage contacts



Type 1Y.P2.8.230.B000

The 2-input 1Y.P2 interface has been developed to accept volt-free contacts or phase voltage (L) signals as inputs, and to integrate them into a YESLY system. It is therefore possible to control YESLY devices for lighting or roller blind control by choosing to use non-YESLY pushbuttons or voltage signals.

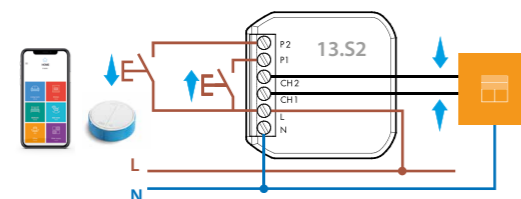
- 2 input channels (P1 and P2)
- Suitable for controlling YESLY devices with traditional pushbuttons or switches, for example by integrating into an existing residential lighting system or with PLC outputs or relay contacts etc..
- Programming via Smartphone with Finder Toolbox Plus
- Compatible with illuminated pushbuttons [max 5 (≤1 mA) buttons]
- Supply voltage: 110...230 V AC
- Transmission range: 10 meters in free space and without obstacles.



Examples of applications

Function TP - Roller Blinds, Shutters and Curtains

Ch1-P1: up
Ch2-P2: down



BEYON PUSHBUTTON BLUETOOTH 2 or 4 channel Wireless pushbuttons

-  Bluetooth
-  No recharging or batteries needed
-  Light control
-  Electric roller blinds and shutter control



Type 1Y.13.B10 - pushbutton BLE 2 channels
Type 1Y.13.B20 - pushbutton BLE 4 channels
white

Finder's BEYON is an innovative remote control for your YESLY comfort living system. BEYON's minimal design is suitable for every kind of interior decorations giving a light and elegant touch. BEYON Bluetooth pushbuttons can be associated with YESLY devices through the Finder Toolbox Plus App. They can switch or dim lights, control electric shutters and other kinds of load. You can set them up to control whatever you want and even activate scenarios. Beyon works without batteries and without any charging device.

- Operating frequency: Bluetooth 4.2 BLE 2.4 Ghz
- Switching cycles: 50 000
- Transmission range: approximately 10 m in free space and without obstacles. The transmission range may vary depending on the building structure


BEYON is provided with a magnetic disk and an adhesive pad, so it is possible to attach it to any kind of surface, be it: metal, wood, glass. The silicone covers, included in the packaging, protect the BEYON from falls and provide an incredibly simple color coding, in order to associate buttons to rooms or functions. They are available FINDER BLUE, NIGHT GREY and GLACIER WHITE.



Type 1Y.13.B12 - pushbutton BLE 2 channels
Type 1Y.13.B22 - pushbutton BLE 4 channels
black



Type 013.B9 - 2 or 4 channel Wireless pushbuttons, wall mounting

-  Turning devices ON / OFF
-  No recharging or batteries needed
-  Electric roller blinds and shutter control



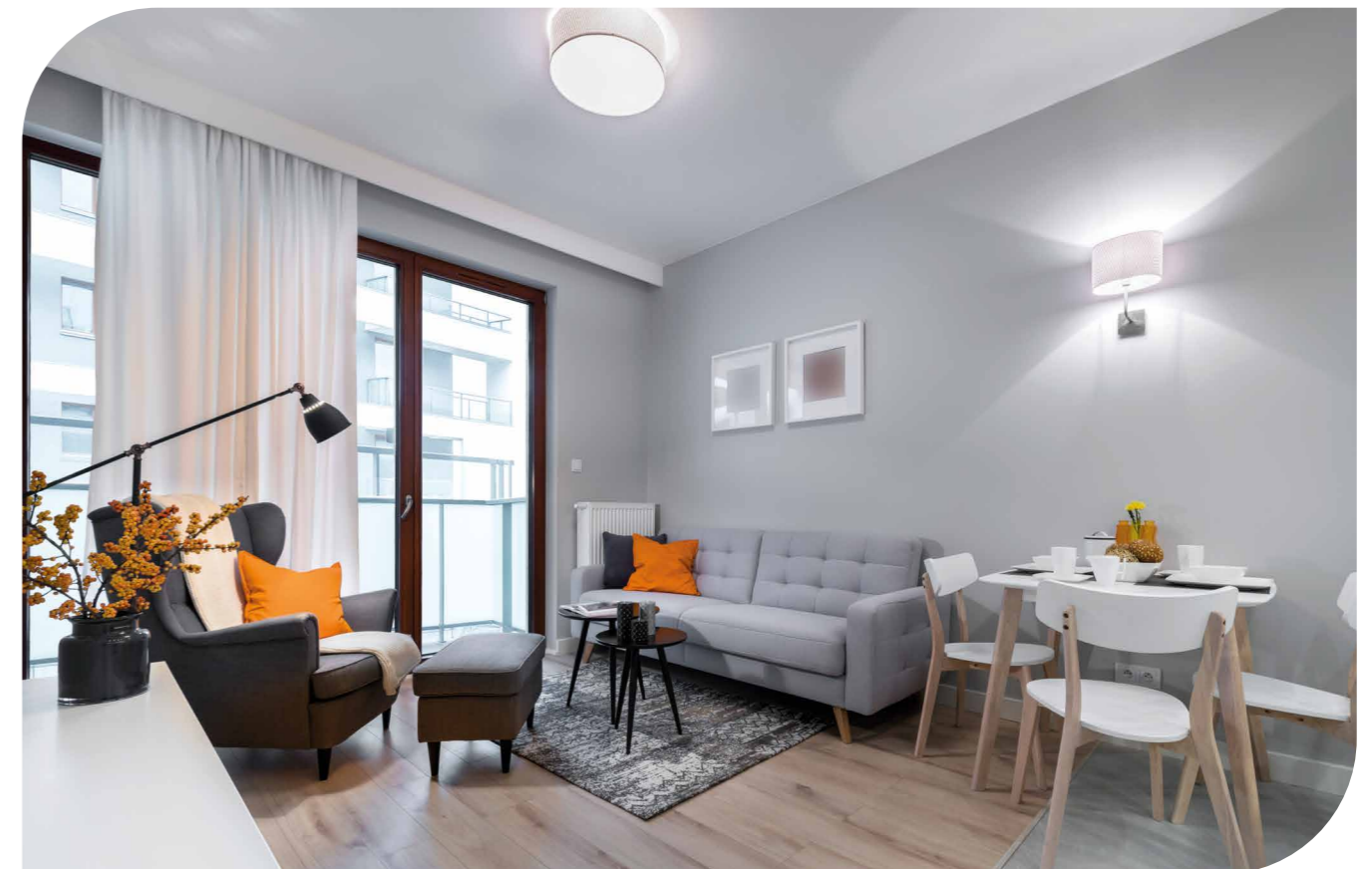
Type 013.B9

Wireless pushbuttons for your YESLY comfort living system. Can be associated with YESLY devices through Finder Toolbox Plus App. They can switch or dim lights, control electric shutters and other kinds of load. You can set them up to control whatever you want and even activate scenarios. The Type 013.B9 pushbuttons work without batteries and without any charging device.

- Operating frequency: Bluetooth 4.2 BLE 2.4 Ghz
- Switching cycles: 50 000
- Transmission range: approximately 10 m in free space and without obstacles. The transmission range may vary depending on the building structure
- Available in white only
- Dimensions: 82 x 82 x 14 mm

Type 013.B9 pushbuttons are supplied with a magnetic disc and an adhesive pad, so you can place it on any surface: metallic, wooden or glass. Easy to install without the need of invasive works. Can be mounted in 60 mm round box. The Type 013.B9 pushbutton has a more classic and essential design, providing the YESLY system with a complete stylish range.

The 013.B9 pushbuttons can be configured as 2 or 4 channel using the adapters supplied in the package.



This device will extend the transmission range and is used where wireless pushbuttons or a Smartphone cannot communicate with the YESLY devices because of the distance. The range extenders must be installed within a maximum distance of 10 meters. Up to 4 devices can be used in the same system. The range extender is a plug-n-play device, it does not need configuring.

Type 1Y.EU.005 - USB input range extender



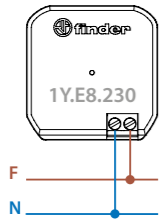
Type 1Y.EU.005

- Power supply: USB plug 5V – 0.5 A minimum
- Operating frequency 2.4 Ghz
- Operating temperature range: -10 °C...+50 °C
- Transmission range: approximately 10 m in free space and without obstacles. The transmission range may vary depending on the building structure.

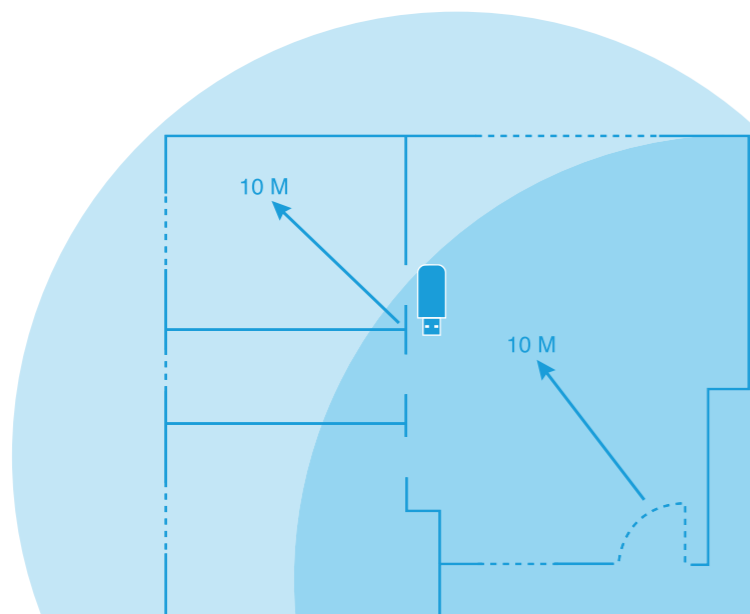
Type 1Y.E8.230 - Range extender, for installation within a wall box (ie: Ø 60 mm)



Type 1Y.E8.230

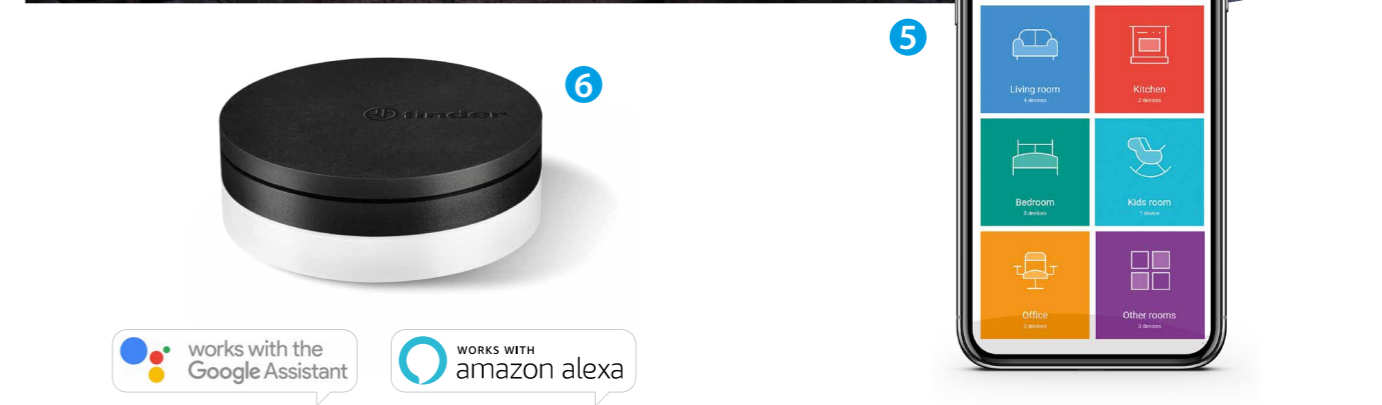
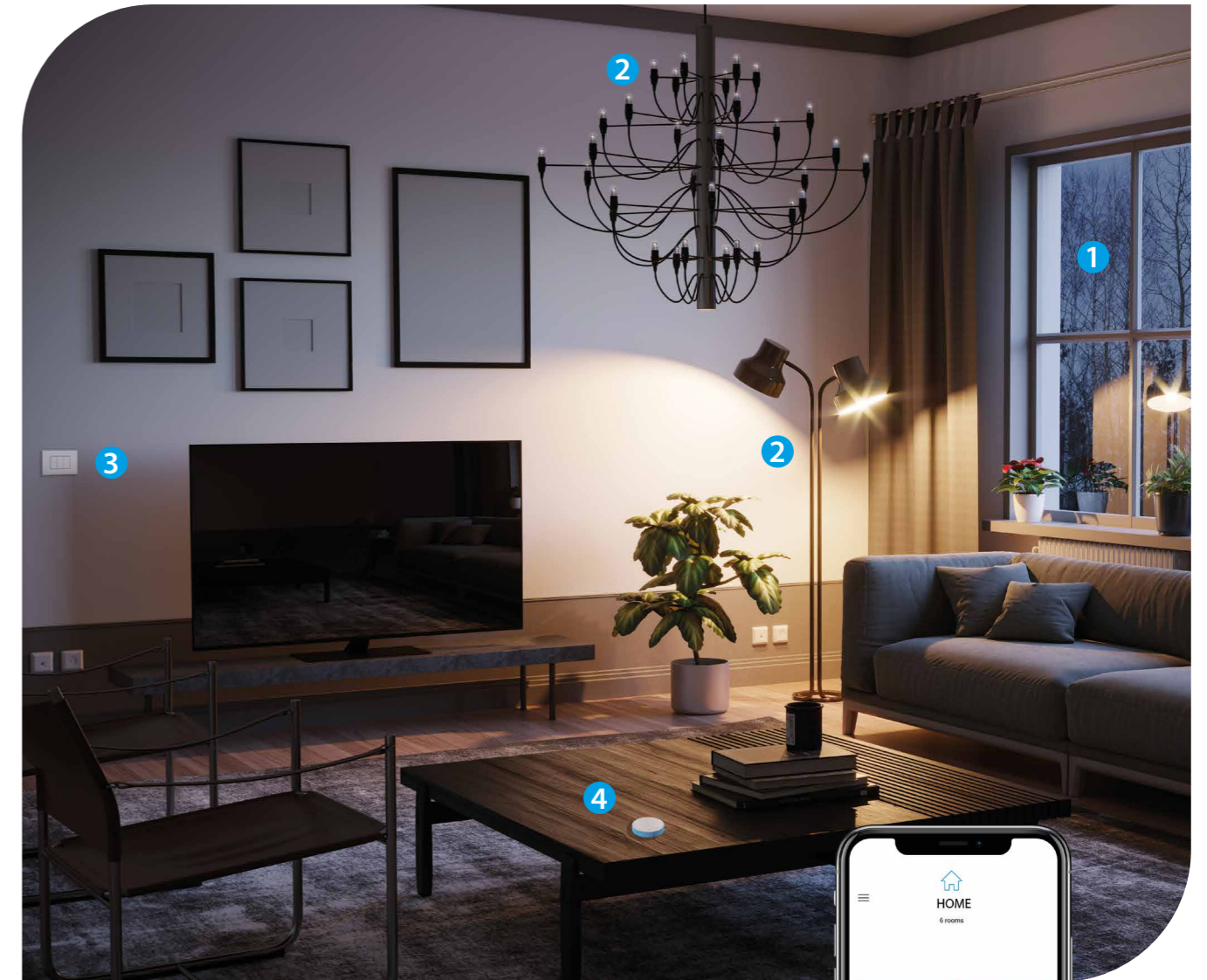


- Power supply: 230 V AC
- Operating frequency 2.4 Ghz
- Operating temperature range: -10 °C...+50 °C
- Transmission range: approximately 10 m in free space and without obstacles. The transmission range may vary depending on the building structure.



Example of a living room application

- 1 Actuator Type 13.S2: controls the opening and closing of the blinds
- 2 Multifunction Relay Type 13.72: with impulse relay function set for both channels: Channel 1 - ceiling lamp, Channel 2 - floor lamp
- 3 The wall pushbuttons are wired directly to the dimmers and actuators
- 4 The Beyon pushbutton is programmed to operate the All Off, All On, Reading and Cinema scenarios
- 5 The Smartphone is programmed to control individual devices and scenarios
- 6 The new YESLY GATEWAY, for remote control



* Note: that these trademarks and trade names are not the property of Finder SpA or any of its associated companies, and are referred to in this sheet for the purposes of technical information only.

Finder in the world



Discover the worldwide network at findernet.com



FINDER S.p.A. Via Drubiaglio, 14 - 10040 ALMESE (TO) - ITALY - tel +39 011 9346211 - fax +39 011 9359079 export@findernet.com

<https://yesly.findernet.com/en>



FINDER reserves the right to alter characteristics at any time without notice. FINDER assumes no liability for damages to persons or property, caused as a result of the incorrect use or application of its products.

ZGUENXYES2 - XI/2019 - YESLY Selection Guide - Printed in Italy - On-line updates