
	DATE	23-17-08	SPECIFICATION	NINGBO BEST GROUP CO.,LTD
	PAGE	1/5		www.fbele.com
	<i>MODEL NAME: FBMB1295A3</i>			

SPECIFICATION FOR APPROVAL ELECTRIC SOUNDER

Model Name	FBMB1295A3
Note	

CUSTOMER	BEST
Customer name / Stamp / Sign / Date	DRAWN: 许海
	CHECKED: 李芬
	APPROVED: 宋琪

	DATE	23-17-08	SPECIFICATION	NINGBO BEST GROUP CO.,LTD
	PAGE	1/5		www.fbele.com
<i>MODEL NAME: FBMB1295A3</i>				

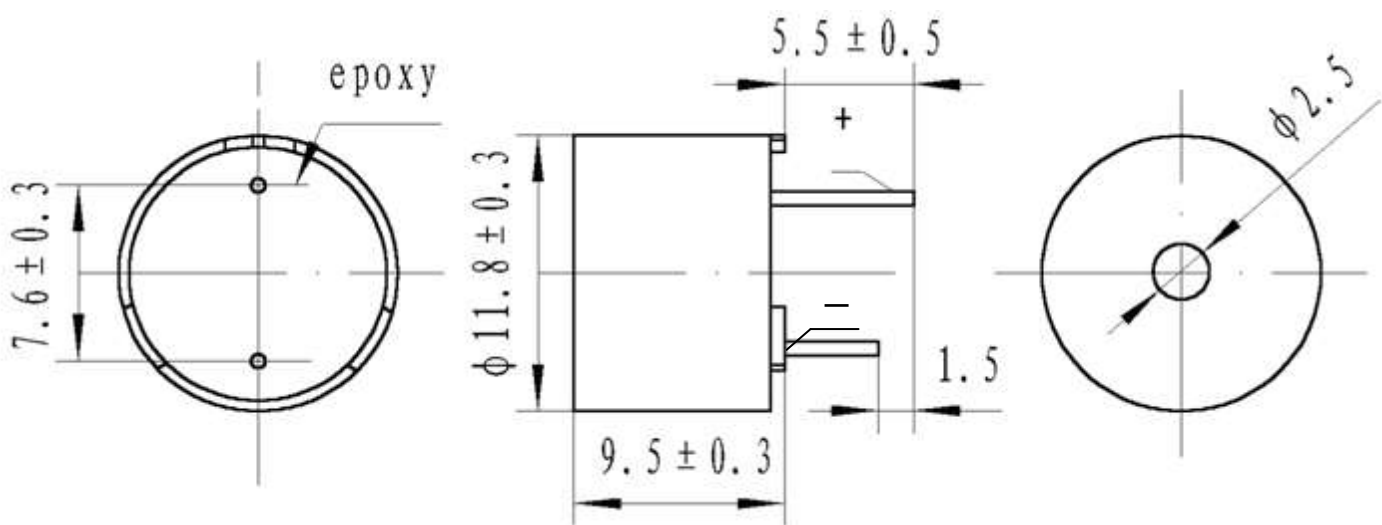
FBMB1295A3 ELECTRIC SOUNDER

1	Rated Voltage (VDC)	5
2	Operating Voltage (VDC)	3~8
3	*Resonant Frequency (Hz)	2300±300
4	*Sound Output at 10cm (dB)	≥88
5	*Current Consumption (mA)	≤30
6	Operating Temperature (°C)	-20~+70
7	Storage Temperature (°C)	-30~+80
8	Weight (g)	2
9	Housing Material	PPO

*Applying rated voltage (VDC)

DIENSIONS (UNIT: mm)

Tolerance: ±0.5mm Except Specified



NINGBO BEST GROUP CO.,LTD
 Tel: +86-574-87793491; Fax: +86-574-87792835
 E-mail: sales@fbele.com



DATE 23-17-08

SPECIFICATION

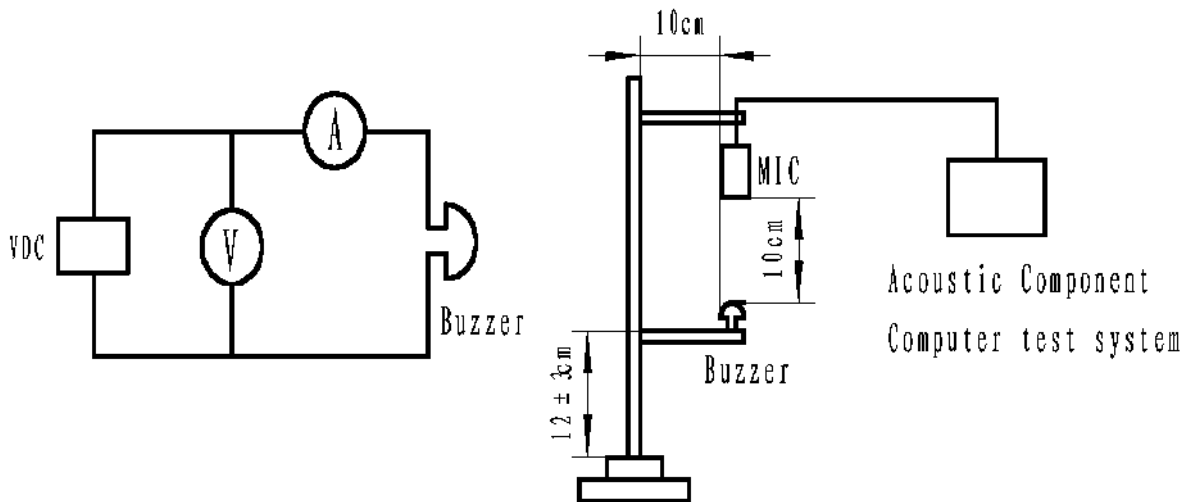
NINGBO BEST GROUP CO.,LTD

PAGE 1/5

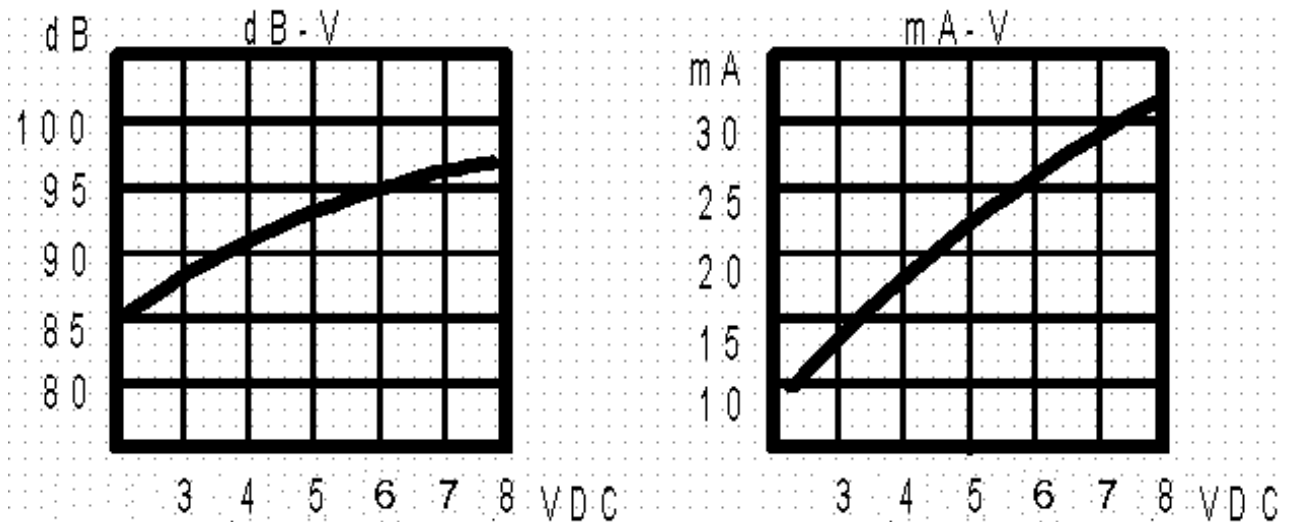
www.fbele.com


MODEL NAME: FBMB1295A3

TEST METHOD:




FREQUENCY RESPONSE:



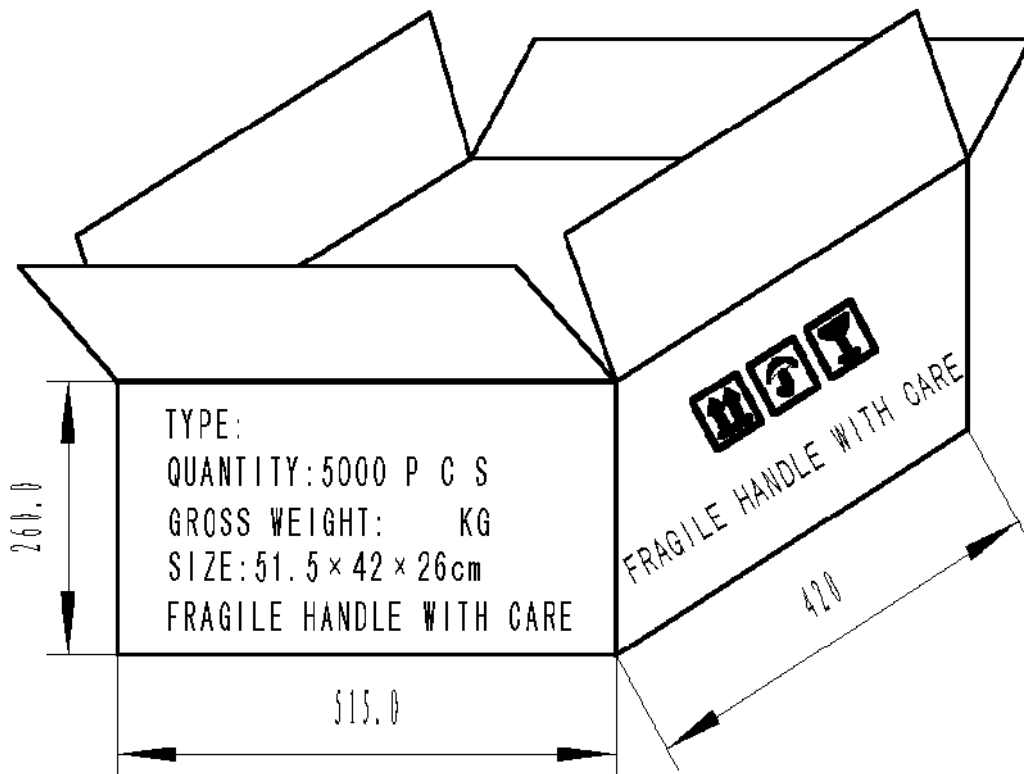
	DATE	23-17-08	SPECIFICATION	NINGBO BEST GROUP CO.,LTD
	PAGE	1/5		www.fbele.com
	<i>MODEL NAME: FBMB1295A3</i>			

RELIABLY TEST:

NO.	ITEM	TESTING CONDITION	VARIANCE AFTER TEST
1	Humidity	50±5°C, 93(+2/-3)%RH, 96HRS	All specifications must be satisfied after the test
2	High temp.	+80±2°C, 96HRS	
3	Low temp.	-30±2°C, 96HRS	
4	Temperature cycling	-30±2°C, 30 minutes room temp. 15 minutes +80±2°C, 30 minutes room temp. 15 minutes 5 cycles	
5	Drop test	3 times from height of 70cm onto the surface of 10mm thick wooden board.	
6	Vibration test	Make the test for the directions of X Y and Z (total 0.5 hours). To-and-fro sweep time (from 10 to 55 Hz and then 55 to 10) under single amplitude of 1.0mm is 1 minute.	
7	Solder heat resistance	The part leads (pins) shall be immersed in molten solder maintained at 250±10°C for a period of 30 seconds.	After the test part shall meet specifications without any degradation in appearance and performance.

	DATE	23-17-08	SPECIFICATION	NINGBO BEST GROUP CO.,LTD
	PAGE	1/5		www.fbele.com
<i>MODEL NAME: FBMB1295A3</i>				

PACKING:



NOTES:

1. 100 PCS per box
2. Total 50 boxes per carton
3. Total 5000 PCS carton
4. Volume: $51.5 \times 42 \times 26$ cm

NINGBO BEST GROUP CO.,LTD
 Tel: +86-574-87793491; Fax: +86-574-87792835
 E-mail: sales@fbele.com