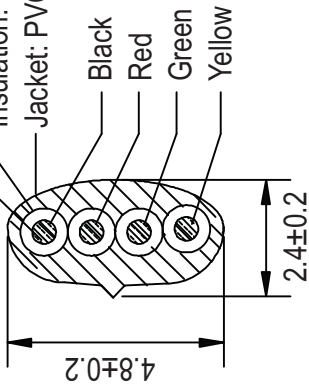


**P1**

**P2**

Conductor: [26AWG (0.16/7) Bare Copper]x4C  
 Insulation: [PP6331 ID:0.95±0.03]x4C  
 Jacket: PVC NOUL 65P

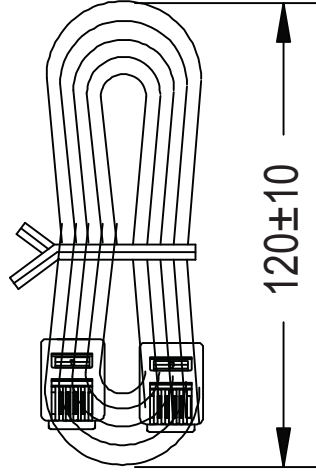


**Sec: A=A**

Termination:

P1	P2
2	Black
3	Red
4	Green
5	Yellow

- Materials:**
- Plug Housing: Polycarbonate, clear
  - Plug Terminal: 0.36"[.014MM] Thick Phosphor Bronze
  - Connector: 6P4C 50μ" of Selective Gold Contact Plating
    - Area, Gold flash over the remainder
    - Over 2.54μm[.000100] thick nickel underplate
  - Package: Individual PE Bag



Unit: MM

ITEM NO.

**AT-S-26-6/4/S-7-R**

TITLE Modular Cable Straight - 6P4C 50μ" P+P Plug,  
26AWG, Silver, 7ft

**ROHS**  
Compliant

**ASSMANN**  
Electronics, Inc.

1840 W. Drake Drive, Suite 101 • Tempe, AZ 85283  
 Toll Free: 1-877-277-6266 • Email: info@usa-assmann.com

THIS DRAWING IS UNPUBLISHED  
 ©Copyright 2011 by Assmann Electronic Components  
 All International Rights Reserved