

THM LOW PROFILE LITHIUM-ION & ALKALINE CELL HOLDERS

"1/3N" · "AAA" · "1/2AA" · "CR2" · "AA" · "2/3A"

FEATURES

- Snap-In PC contact holds firmly in position for wave soldering
- Tin Nickel contacts for excellent solderability and durability
- Polarity clearly marked for orientation
- Snap-on retainer cover (optional) retains battery securely to withstand shock and vibration. Helps protect against shorting

APPLICATIONS

- Computer memory, power backup systems
- Telecommunications
- Residential, industrial and commercial security systems
- PLC and industrial controls

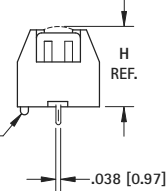
RETAINER COVERS



THM LOW PROFILE



108C
1028C
1029LC
RETAINER COVERS



SPECIFICATIONS

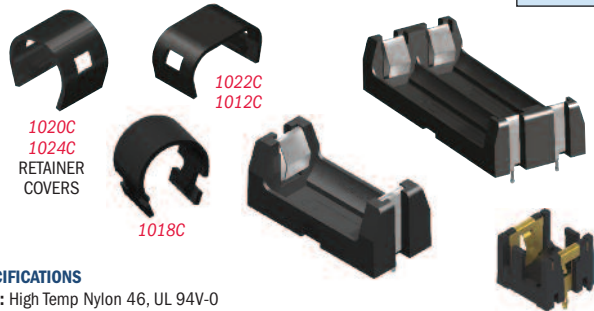
Base/Retainer Cover: PBT, UL 94V-0

Contacts: .012 (.30) Stainless Steel, Tin-Nickel Plate

Operating Temp Range: -60°F to +293°F (-51°C to +145°C)

HOLDER	COVER								CELL SIZE	PACKAGING SPECS	BATTERY CROSS REFERENCE
CAT. NO.	CAT. NO.	L	W	H (Ref. Dim)	A	B	F	G			
108	108C	1.160 (29.5)	.640 (16.3)	.633 (16.1)	1.030 (26.2)	1.360 (34.5)	.610 (15.5)	.279 (7.1)	"1/2 AA" "CR2"	50 pieces per tray	Energizer 544, CR2, Duracell PX28L, CR2, Kodak K28A & KS28, CR2, Panasonic CR14250, CR2, Saft LCP3, Maxell 4LR44, CR2, Sanyo CR14250SE, CR2
1028	1024C 1028C	2.160 (54.9)	.640 (16.3)	.633 (16.1)	2.040 (51.8)	2.360 (59.9)	1.610 (40.9)	.279 (7.1)	"AA"	50 pieces per tray	Energizer, Duracell, Panasonic, Sanyo, Varta, Rayovac, Tadiran
1029	1029C 1029LC	1.500 (38.1)	.720 (18.3)	.712 (18.1)	1.375 (34.9)	1.700 (43.2)	.950 (24.1)	.320 (8.1)	"2/3 A"	50 pieces per tray	Duracell DL2/3A, Kodak K123L, Panasonic CR123A, Saft 450SC & VR0450, Sanyo CR17335SE

THM ULTRA LOW PROFILE



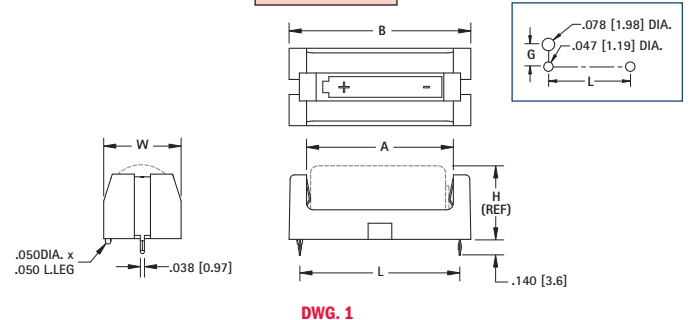
SPECIFICATIONS

Base: High Temp Nylon 46, UL 94V-0

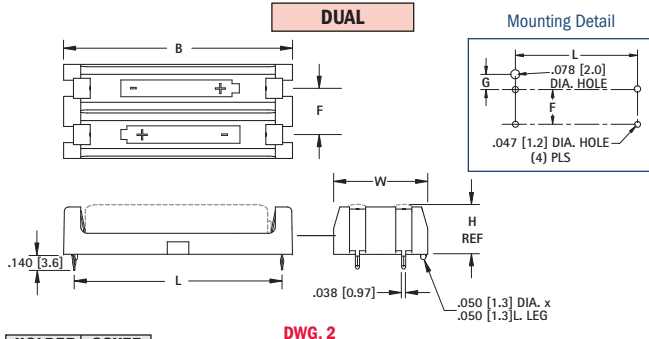
Contacts: .012 (.30) Stainless Steel, Tin-Nickel Plate

Operating Temp Range: -60°F to +293°F (-51°C to +145°C)

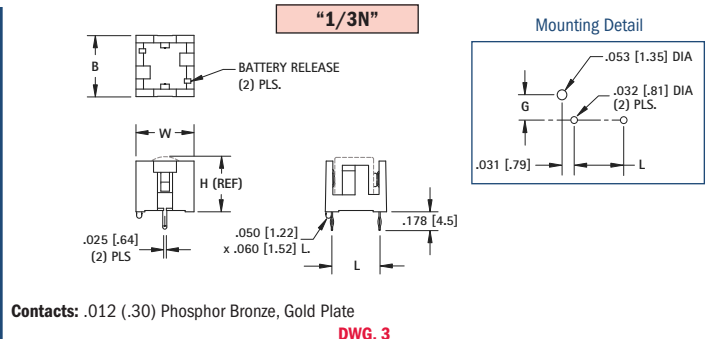
SINGLE



DUAL



"1/3N"



Contacts: .012 (.30) Phosphor Bronze, Gold Plate

HOLDER	COVER	DWG NO.	L	W	H (Ref. Dim)	B	F	G	CELL SIZE	PACKAGING SPECS	BATTERY CROSS REFERENCE
1021	1020C	1	1.933 (49.1)	.500 (12.7)	.445 (11.3)	2.140 (54.4)	-	.209 (5.3)	"AAA"	50 pieces per tray	All Major Manufacturers
1023	1022C	2	1.933 (49.1)	.875 (22.2)	.445 (11.3)	2.140 (54.4)	.430 (10.9)	.182 (4.6)	"AAA"	25 pieces per tray	
1015	1024C	1	2.161 (54.9)	.612 (15.5)	.603 (15.3)	2.359 (59.9)	-	.265 (6.7)	"AA"	50 pieces per tray	All Major Manufacturers
1013*	1012C	2	2.161 (54.9)	1.180 (30.0)	.603 (15.3)	2.359 (59.9)	.568 (14.4)	.265 (6.7)	"AA"	25 pieces per tray	
1017	1024C	1	1.156 (29.4)	.612 (15.5)	.603 (15.3)	1.360 (34.5)	-	.265 (6.7)	"1/2 AA"	50 pieces per tray	Energizer 544, Duracell PX28L, Kodak K28A & KS28, Saft LCP3, Maxell 4LR44, Sanyo CR14250SE
1019*	1018C	1	1.487 (37.8)	.720 (18.3)	.682 (17.3)	1.690 (42.9)	-	.319 (8.1)	"2/3 A"	50 pieces per tray	Duracell DL2/3A, Kodak K123L, Saft 450SC & VR0450, Sanyo CR17335SE
1099*	-	2	1.487 (37.8)	1.440 (36.6)	.682 (17.3)	1.690 (42.9)	.720 (18.3)	.319 (8.1)	"2/3 A"	25 pieces per tray	
503	-	3	.450 (11.4)	.540 (13.7)	.506 (12.9)	.570 (14.5)	-	.240 (6.1)	"1/3 N"	300 pieces per tray	Duracell DL1/3N, Sanyo K58L, Energizer CR1/3N

*Base Material: PBT UL 94V-0

THM BATTERY HOLDERS