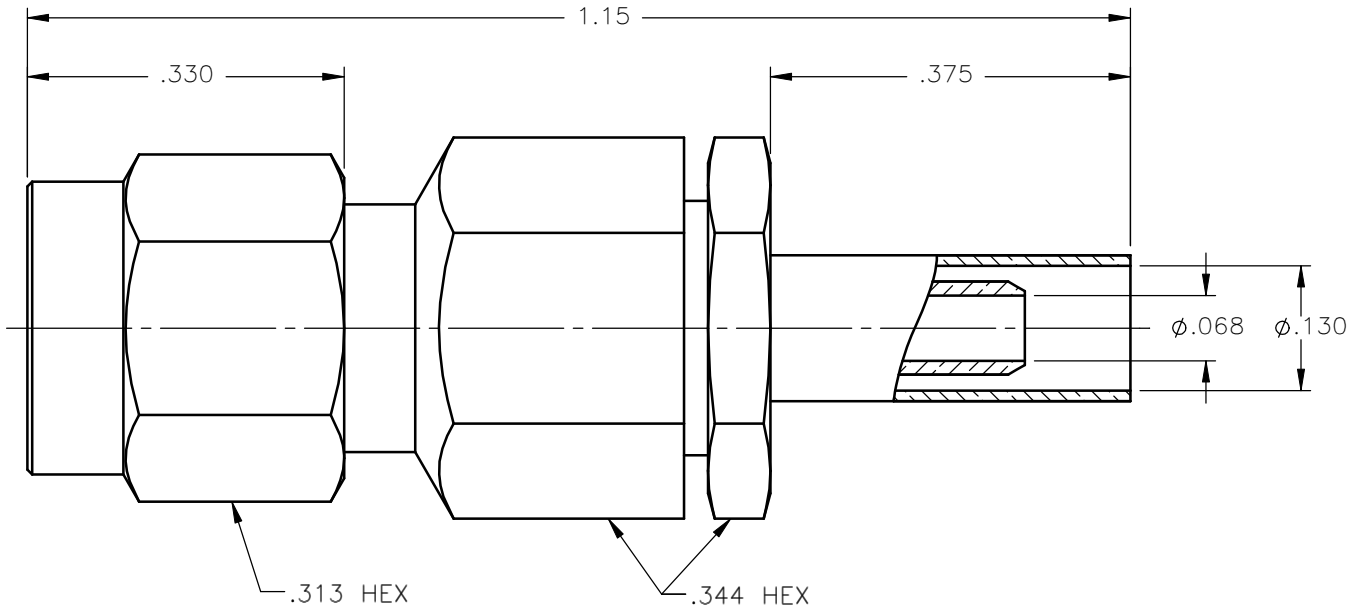


REVISIONS			
REV.	DESCRIPTION	DATE	APPROVED
A	INITIAL RELEASE	09/09/09	A.D.M.



NOTES:

MATERIALS:

1. BODY & COUPLING NUT = STAINLESS STEEL PER ASTM A582, ALLOY 303, CONDITION "A".
2. INSULATORS = VIRGIN WHITE TEFLON PER ASTM D1710, GRADE 1, TYPE I, CLASS "B".
3. CONTACT & RETAINING RING = BERYLLIUM COPPER PER ASTM B196, ALLOY C17300, TEMPER TD04.
4. GASKET = SILICONE RUBBER PER ZZ-R-765, CLASS 2B, GRADE 65-75.
5. CRIMP NUT = BRASS PER ASTM B16, ALLOY C36000, TEMPER H02.
6. CRIMP SLEEVE = SEAMLESS LOWLEAD BRASS TUBE, ALLOY 330, SOFT ANNEAL TEMPER, .025/.060 GRAIN SIZE OR SEAMLESS COPPER TUBE PER ASTM B75, TYPE C12000, TEMPER: LIGHT ANNEAL O50 EXCEPT YIELD STRENGTH, OR BRASS PER MIL-T-46072, ALLOY 332.
7. SHRINK SLEEVE = THERMOFIT SCL, BLACK. (NOT SHOWN)

FINISHES:

1. BODY & COUPLING NUT = PASSIVATE PER QQ-P-35, TYPE VI.
2. CONTACT = GOLD PLATE PER MIL-G-45204, TYPE II, CLASS 1, GRADE C, OVER .00010 TO .00020 STRESS FREE SULFAMATE NICKEL PER QQ-N-290.
3. CRIMP NUT & CRIMP SLEEVE = NICKEL PLATE PER QQ-N-290, CLASS 1, GRADE G, EXCEPT .0001 TO .0002 THICK OVER .00005 TO .0001 THICK COPPER PER MIL-C-14550.

Property of Radiall Incorporated
 This document cannot be reproduced or
 communicated to a third party without prior
 written permission of RADIALL Incorporated.

UNLESS OTHERWISE SPECIFIED
 DIMENSIONS ARE IN INCHES
 TOLERANCES ON

DWN:	DATE
A.D.M.	09/09/09
CHKD:	DATE
D.N.	09/09/09
APVD:	DATE
J.M.	09/09/09



APPLIED ENGINEERING PRODUCTS
 104 John W. Murphy Dr.
 New Haven, CT 06513

SMA STRAIGHT PLUG
 CRIMP TYPE
 FOR RG-316DS & SIMILAR CABLES

REFERENCE:

ORIGINATED: A.D.M.
 DATE: 09/09/09

MATERIALS & FINISHES:
 SEE NOTES

SIZE	FSCM NO.	DWG NO.	REV
A	19505	9101-9573-019	A
SCALE 5:1		THIRD ANGLE PROJECTION	SHEET 1 OF 1

9101-9573-019

Mouser Electronics

Authorized Distributor

Click to View Pricing, Inventory, Delivery & Lifecycle Information:

Radial:

[9101-9573-019](tel:9101-9573-019)