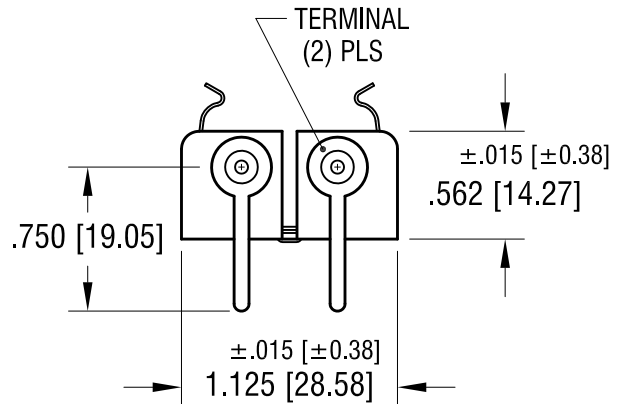
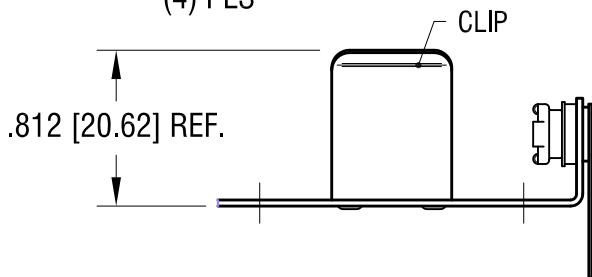
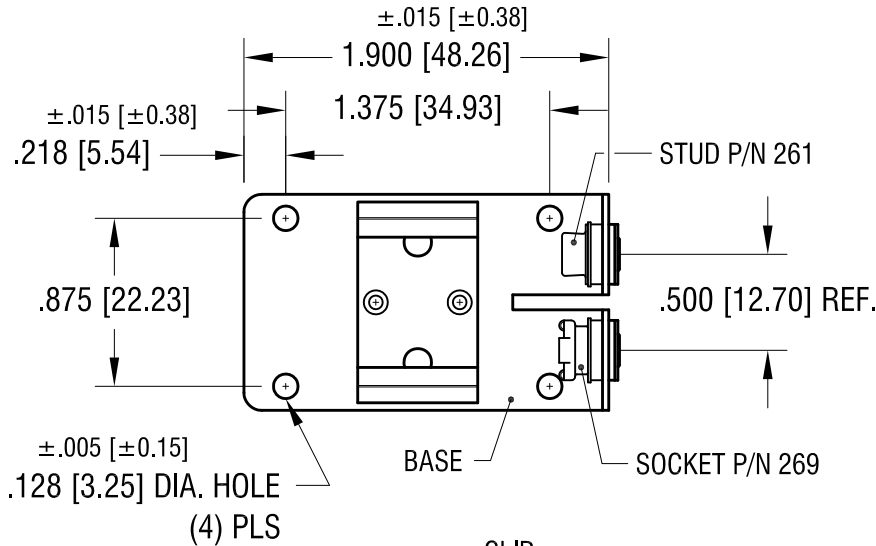
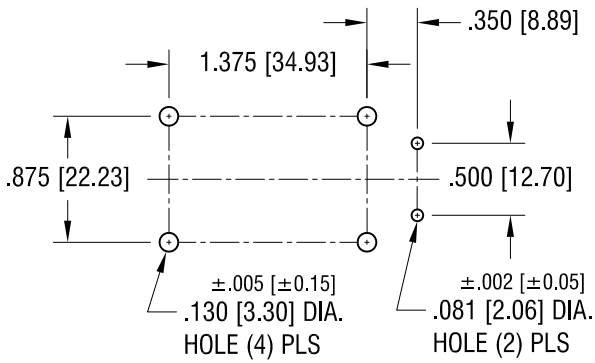


THIS DOCUMENT IS THE PROPERTY OF KEYSTONE ELECTRONICS CORP. AND SHALL NOT BE REPRODUCED, DISTRIBUTED OR USED AS A BASIS FOR MANUFACTURE WITHOUT PRIOR WRITTEN PERMISSION FROM KEYSTONE ELECTRONICS CORP.

MOUNTING DETAIL



NOTES:

1. DESIGNED FOR BATTERY THICKNESSES OVER .640 [16.26].

BASE: MAT'L - .032 [.81] TH'K ALUMINUM

CLIP: MAT'L - .015 [.38] TH'K STEEL, NICKEL PLATE

CONTACT: MAT'L - STEEL, NICKEL PLATE

TERMINAL: MAT'L - BRASS, TIN PLATE

EYELET: MAT'L - BRASS, TIN PLATE

KEYSTONE ELECTRONICS CORP.

www.keyelco.com • ASTORIA, N.Y. 11105-2017 • Tel (718) 956-8900

PART NAME			
9 VOLT SNAP-IN BATTERY HOLDER			
MATERIAL			
AS NOTED			
FINISH		DRN BY	DATE
AS NOTED		BOONE	1.20.04
		APP'D	SCALE
		LN	1X
TOLERANCES	INCH [MM]	CODE	DWG NO.
DECIMAL	±.010 [±0.25]	C	1291-79
ANGULAR	± 1°		
UNLESS OTHERWISE SPECIFIED			

5.30.89

REVISED

B

DATE

DESCRIPTION

REV.

Mouser Electronics

Authorized Distributor

Click to View Pricing, Inventory, Delivery & Lifecycle Information:

[Keystone Electronics:](#)

[1291-79](#)